

# PARTS LIST

[ DX-T9 ] [ DX-T7 ]  
[ DX-T5 ]

\* All printed circuit boards and its assemblies are not available as service parts.

<b>DX-T9,DX-T7</b>	<b>DX-T5</b>
Area suffix	Area suffix
A ----- Australia	US ----- Singapore
US ----- Singapore	UW ----- Brazil,Mexico,Peru
UW ----- Brazil,Mexico,Peru	UX ----- Saudi Arabia
UX ----- Saudi Arabia	UY ----- Argentina
UG - Turkey,South Africa,Egypt	UG - Turkey,South Africa,Egypt
UN -----Asean	UN -----Asean

## - Contents -

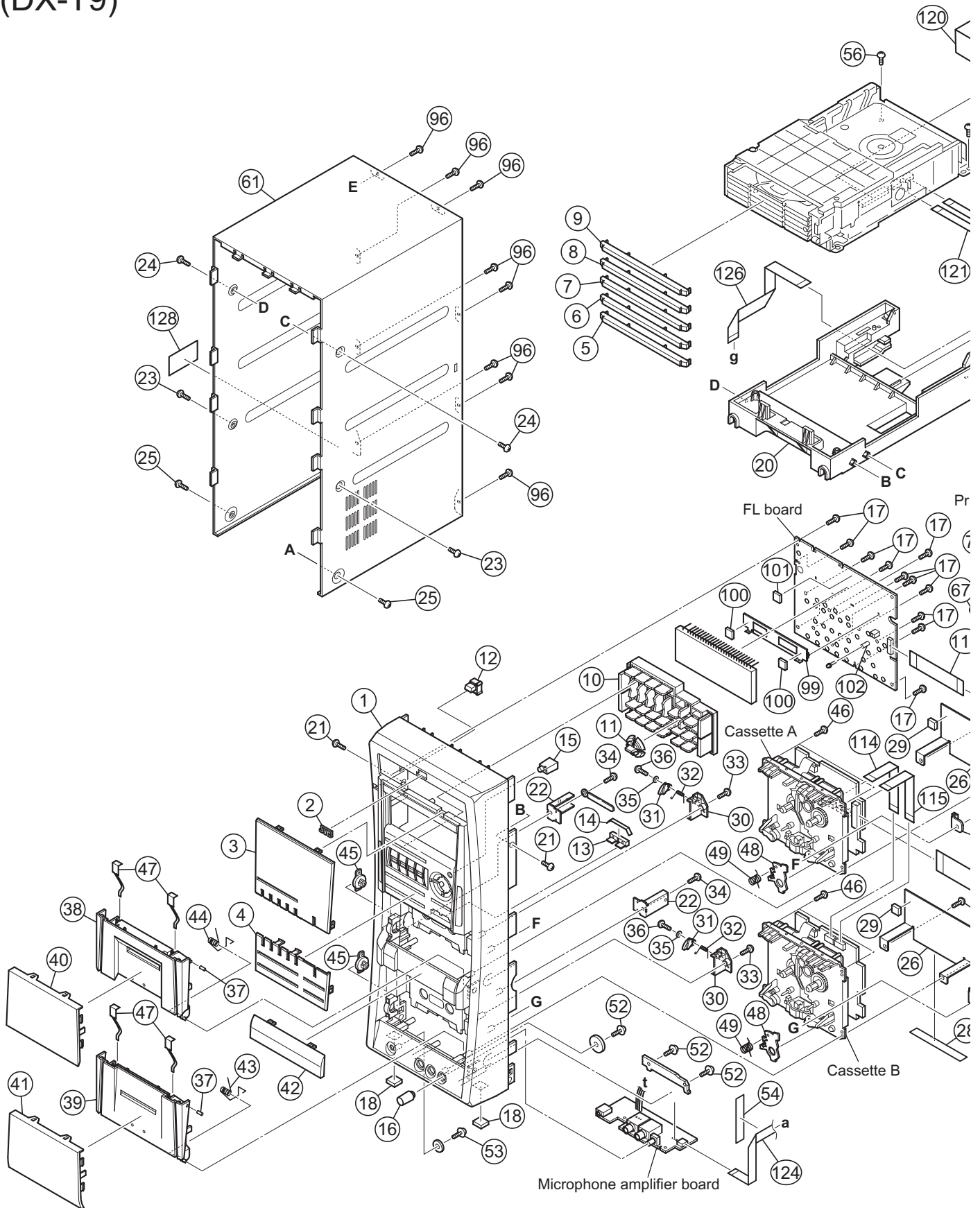
Exploded view of general assembly and parts list (Block No.M1) (DX-T9) .....	3- 2
Exploded view of general assembly and parts list (Block No.M2) (DX-T7) .....	3- 6
Exploded view of general assembly and parts list (Block No.M3) (DX-T5) .....	3-10
DVD mechanism assembly and parts list (Block No.MJ) (Common) .....	3-14
DVD changer mechanism assembly and parts list (Block No.MK)	
(FMU-SM1-1M) (DX-T9,DX-T7) .....	3-16
DVD changer mechanism assembly and parts list (Block No.MS)	
(FMU-SM1-11M) (DX-T5) .....	3-18
Cassette mechanism assembly and parts list (Block No.MP) (SLC-S401M)	
- Cassette A (Common) .....	3-20
Cassette mechanism assembly and parts list (Block No.MQ) (SLC-S302M)	
- Cassette B (Common) .....	3-22
Electrical parts list (Block No.01~17) .....	3-24
Packing materials and accessories parts list (Block No.M4) (DX-T9) .....	3-52
Packing materials and accessories parts list (Block No.M5) (DX-T7) .....	3-54
Packing materials and accessories parts list (Block No.M6) (DX-T5) .....	3-56

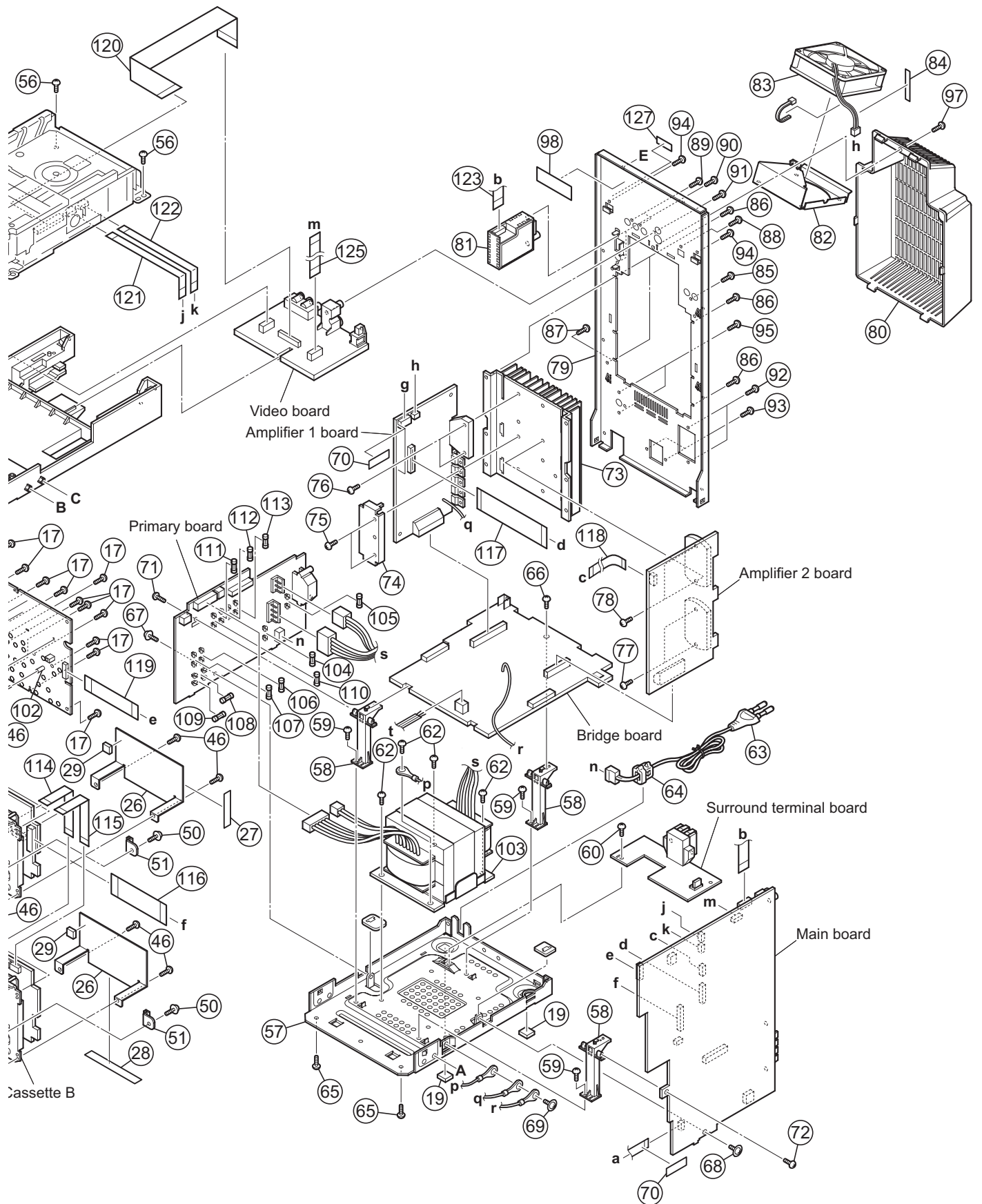
# Exploded view of general assembly and parts list

(DX-T9)

Block No. 

M	1	M	M
---	---	---	---





# General Assembly (DX-T9)

Block No. [M][1][M][M]

△	Symbol No.	Part No.	Part Name	Description	Local
	1	GV10276-004A	FRONT PANEL ASY		
	2	GV40077-002A	JVC BADGE		
	3	GV30697-006A	FL LENS		
	4	GV30698-004A	BUTTON LENS		
	5	GV30699-002A	TRAY FITTING 1		
	6	GV30700-002A	TRAY FITTING 2		
	7	GV30701-002A	TRAY FITTING 3		
	8	GV30702-002A	TRAY FITTING 4		
	9	GV30703-002A	TRAY FITTING 5		
	10	GV10273-001A	CENTER BUTTON		
	11	GV40586-003A	V.ILLUMINATION		
	12	GV40587-001A	POWER INDICATOR		
	13	GV40588-001A	RHYTM.INDICATOR		
	14	GV40628-001A	SPACER		
	15	GV40600-002A	REMOTE LENS		
	16	GV40608-001A	MIC.VOL KNOB		
	17	QYSDSF2608ZA	TAP SCREW	M2.6 x 8mm(x11)	
	18	GV40313-001A	FELT SPACER	(x2)	
	19	GV40313-002A	FELT SPACER	(x2)	
	20	GV10260-001A	MECHA CHASSIS		
	21	QYSSSF3010ZA	TAP SCREW	M3 x 10mm(x2)	
	22	GV40584-001A	METAL COVER BKT	(x2)	
	23	QYSDSG3008NA	TAP SCREW	M3 x 8mm(x2)	
	24	QYSDSG3008NA	TAP SCREW	M3 x 8mm(x2)	
	25	QYSDSG3008NA	TAP SCREW	M3 x 8mm(x2)	
	26	GV30124-001A	TRANS SHIELD	(x2)	
	27	GV30349-046A	SPACER		
	28	GV30349-047A	SPACER		
	29	GV30349-049A	SPACER	(x2)	
	30	GV40589-001A	SWING CAM BKT	(x2)	
	31	GV40501-002A	SWING CAM	(x2)	
	32	GV40502-002A	SPRING	(x2)	
	33	QYSBSF3010ZA	TAP SCREW	M3 x 10mm(x2)	
	34	QYSBSF3010ZA	TAP SCREW	M3 x 10mm(x2)	
	35	GV40503-001A	WASHER	(x2)	
	36	GV40504-002A	SCREW	(x2)	
	37	GV40515-001A	METAL PIN	(x2)	
	38	GV10262-001A	CASS.HOLDER(A)		
	39	GV10261-001A	CASS.HOLDER(B)		
	40	GV20344-001A	CASS.LENS (A)		
	41	GV20343-001A	CASS.LENS (B)		
	42	GV30705-001A	LENS ORNAMENT		
	43	GV40596-001A	DOOR SPRING(B)		
	44	GV40619-001A	DOOR SPRING(A)		
	45	GV40034-001A	DAMPER ASSY.	(x2)	
	46	QYSBSF3010ZA	TAP SCREW	M3 x 10mm(x8)	
	47	VKY4180-401	CASSETTE SPRING	(x4)	
	48	VKL7850-002	EJECT SAFETY(R)	(x2)	
	49	VKW5258-003	TORSION SPRING	(x2)	
	50	E65923-009	TAPPING SCREW	(x2)	
	51	GV40618-001A	SLC BRACKET	(x2)	
	52	QYSBSFG3008ZA	TAP SCREW	M3 x 8mm(x3)	
	53	GV40035-002A	SCREW		
	54	GV30349-050A	SPACER		
	56	QYSBSF3010ZA	TAP SCREW	M3 x 10mm(x2)	
	57	GV10253-004A	BOTTOM CHASSIS		
	58	GV30706-001A	SUPPORT BKT.	(x3)	
	59	QYSBSG3006ZA	TAP SCREW	M3 x 6mm(x3)	
	60	QYSBSG3006ZA	TAP SCREW	M3 x 6mm	
	61	GV10254-003A/S/	METAL COVER		
	62	QYSDSTL4008EA	TAP SCREW	M4 x 8mm(x4)	
△	63	QMPG150-244-JC	POWER CORD(AST)	2.44m BLACK	A
△	63	QMPK210-205-JN	POWER CORD(EU)	2.05m BLACK	UG,UN,US,UW
△	63	QMPN240-200-JD	POWER CORD(EU)	2m BLACK	UX
△	64	QZW0033-001	STRAIN RELIEF		
	65	QYSSST3008ZA	TAP SCREW	M3 x 8mm(x2)	
	66	QYSBSF3008ZA	TAP SCREW	M3 x 8mm	
	67	QYSBSGG3008EA	TAP SCREW	M3 x 8mm	
	68	QYSBSGG3008EA	TAP SCREW	M3 x 8mm	
	69	QYSBSGG3008EA	TAP SCREW	M3 x 8mm	
	70	GV30349-025A	SPACER	(x3)	
	71	QYSBSF3008ZA	TAP SCREW	M3 x 8mm	
	72	QYSBSF3008ZA	TAP SCREW	M3 x 8mm	
	73	GV30694-004A	HEAT SINK		

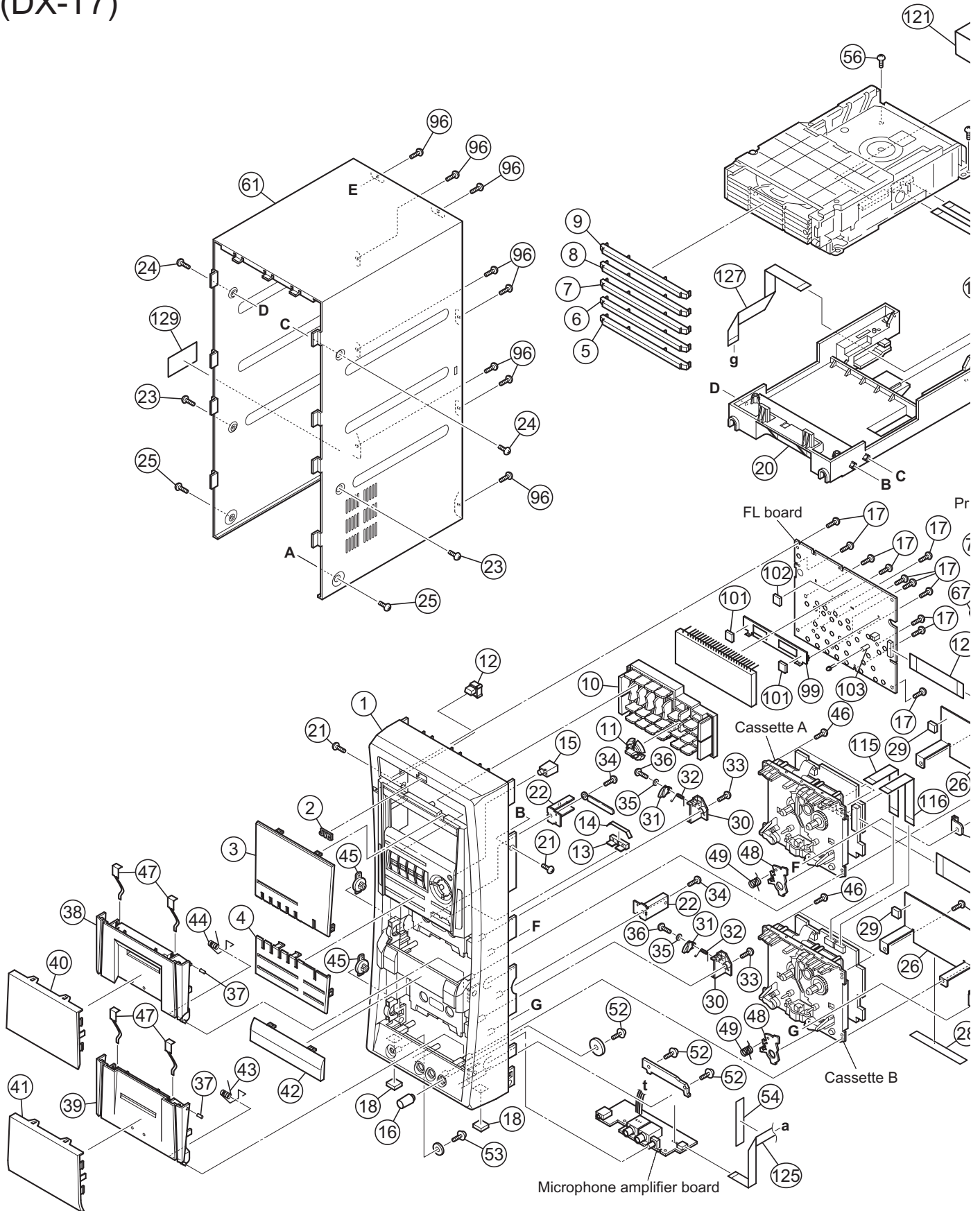
△	Symbol No.	Part No.	Part Name	Description	Local
	74	GV40488-001A	LEAF SPRING		
	75	QYSBSG3016EA	TAP SCREW	M3 x 16mm(x2)	
	76	QYSBSG3016EA	TAP SCREW	M3 x 16mm(x2)	
	77	QYSBSG3016EA	TAP SCREW	M3 x 16mm(x2)	
	78	QYSBSG3016EA	TAP SCREW	M3 x 16mm(x2)	
	79	GV10255-022A	REAR PANEL		A
	79	GV10255-020A	REAR PANEL		UN,US
	79	GV10255-019A	REAR PANEL		UW
	79	GV10255-021A	REAR PANEL		UG,UX
	80	GV10263-002A	REAR COVER		
	81	QAU0307-003	TUNER		
	82	GV30686-001A	FAN BKT.		
	83	QAR0317-001	FAN		
	84	GV30349-026A	SPACER		
	85	QYSBSGY3008EA	TAP SCREW	AUX	
	86	QYSBSGY3008EA	TAP SCREW	HEAT SINK(x4)	
	87	QYSBSGY3008EA	TAP SCREW	EARTH PLATE	
	88	QYSBSGY3008EA	TAP SCREW	OPTICAL JACK	
	89	QYSBSGY3008EA	TAP SCREW	COMP. JACK(x2)	
	90	QYSBSGY3008EA	TAP SCREW	TUNNER PACK(x2)	
	91	QYSBSGY3008EA	TAP SCREW	VIDEO JACK	
	92	QYSBSGY3008EA	TAP SCREW	SPK. JACK(x2)	
	93	QYSBSGY3008EA	TAP SCREW	SPK. JACK(x2)	
	94	QYSBSGY3008EA	TAP SCREW	MECHA CHASSIS(x2)	
	95	QYSBSF3012EA	TAP SCREW	VOL. SELECTOR(x2)	
	96	QYSBSGY3008EA	TAP SCREW	METAL COVER(x8)	
	97	QYSBSGY3008EA	TAP SCREW	REAR COVER	
	98	LV41843-002A	LASER CAUTION		
	99	GV30687-002A	FL HOLDER		
	100	GV30349-021A	SPACER	(x2)	
	101	GV30349-049A	SPACER		
	102	GV40531-001A	LED HOLDER		
△	103	QQT0477-001	POWER TRANSF	T 1001	
△	104	QMFZ051-8R0-J8	FUSE	F 1001 8A	
△	105	QMF51W2-6R3-J8	FUSE	F 1002 6.3A AC250V	
△	106	QMF51W2-6R3-J8	FUSE	F 1003 6.3A AC250V	
△	107	QMF51W2-6R3-J8	FUSE	F 1004 6.3A AC250V	
△	108	QMF51W2-1R25-J8	FUSE	F 1005 1.25A AC250V	
△	109	QMF51W2-3R15-J8	FUSE	F 1006 3.15A AC250V	
△	110	QMF51W2-5R0-J8	FUSE	F 1007 5A AC250V	
△	111	QMF51W2-5R0-J8	FUSE	F 1008 5A AC250V	
△	112	QMF51W2-5R0-J8	FUSE	F 1009 5A AC250V	
△	113	QMF51W2-5R0-J8	FUSE	F 1010 5A AC250V	
	114	QUQH12-0910BJ-E	FFC WIRE	9pin 10cm	
	115	QUQH12-1010BJ-E	FFC WIRE	10pin 10cm	
	116	QUQH12-2512AJ-E	FFC WIRE	25pin 12cm	
	117	QUQH12-1916AJ-E	FFC WIRE	19pin 16cm	
	118	QUQH12-0808AJ-E	FFC WIRE	8pin 8cm	
	119	QUQH10-1910AJ-E	FFC WIRE	19pin 10cm	
	120	QUQH10-2823AJ-E	FFC WIRE	28pin 23cm	
	121	QUQH10-1016AJ-E	FFC WIRE	10pin 16cm	
	122	QUQH10-0814AJ-E	FFC WIRE	8pin 14cm	
	123	QUQH12-1118AJ-E	FFC WIRE	11pin 18cm	
	124	QUQH12-0516BJ-E	FFC WIRE	5pin 16cm	
	125	QUQH12-0813AJ-E	FFC WIRE	8pin 13cm	
	126	QUQH12-1118AJ-E	FFC WIRE	11pin 18cm	
	127	GV40641-001A	NOM LABEL		UW
	128	GV40642-001A	CAUTION LABEL		UW

# Exploded view of general assembly and parts list

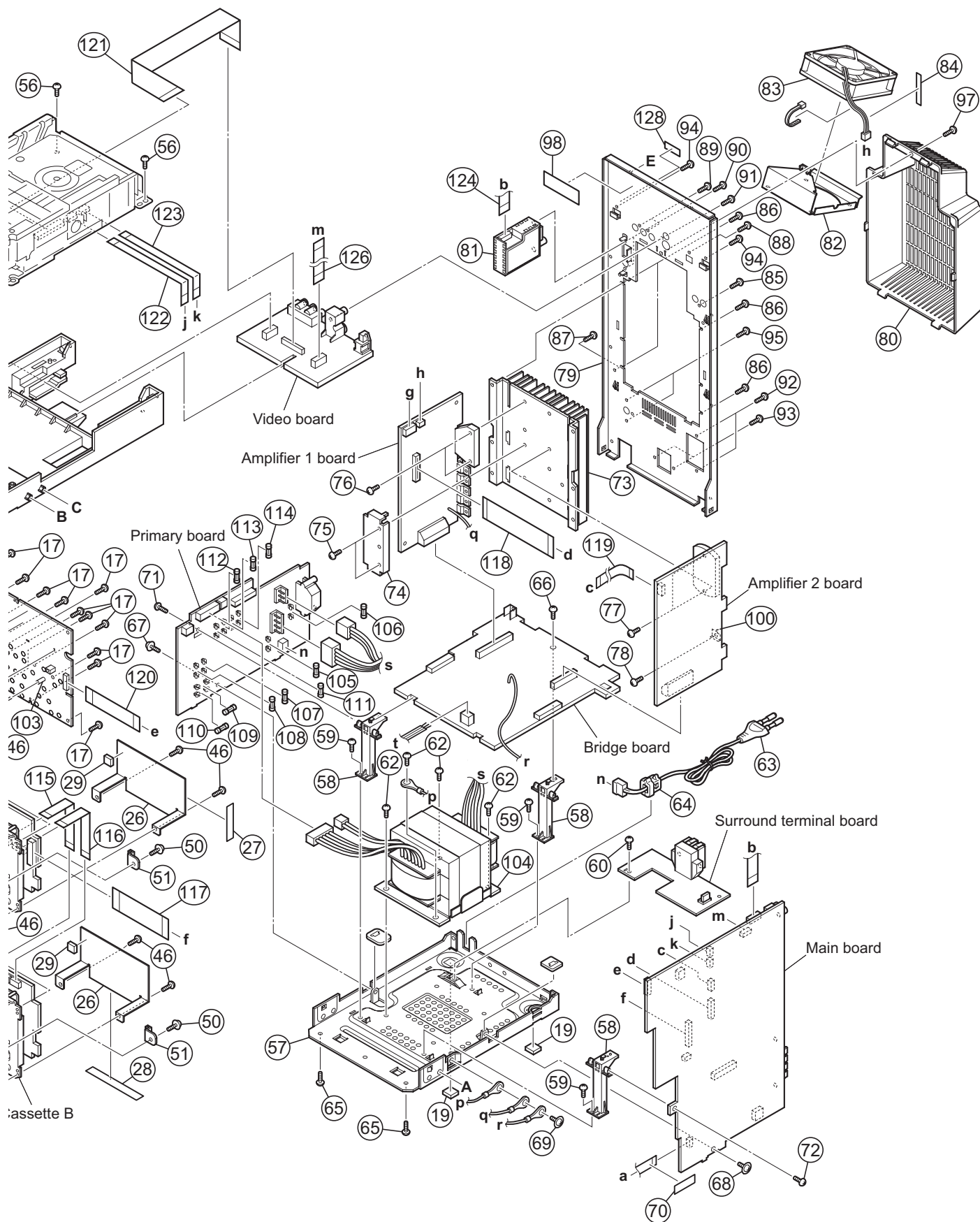
(DX-T7)

Block No. 

M	2	M	M
---	---	---	---







# General Assembly (DX-T7)

Block No. [M][2][M][M]

△	Symbol No.	Part No.	Part Name	Description	Local
	1	GV10276-004A	FRONT PANEL ASY		
	2	GV40077-002A	JVC BADGE		
	3	GV30697-005A	FL LENS		
	4	GV30698-004A	BUTTON LENS		
	5	GV30699-001A	TRAY FITTING 1		
	6	GV30700-001A	TRAY FITTING 2		
	7	GV30701-001A	TRAY FITTING 3		
	8	GV30702-001A	TRAY FITTING 4		
	9	GV30703-001A	TRAY FITTING 5		
	10	GV10273-001A	CENTER BUTTON		
	11	GV40586-003A	V.ILLUMINATION		
	12	GV40587-001A	POWER INDICATOR		
	13	GV40588-001A	RHYTM.INDICATOR		
	14	GV40628-001A	SPACER		
	15	GV40600-002A	REMOTE LENS		
	16	GV40608-001A	MIC.VOL KNOB		
	17	QYSDSF2608ZA	TAP SCREW	M2.6 x 8mm(x11)	
	18	GV40313-001A	FELT SPACER	(x2)	
	19	GV40313-002A	FELT SPACER	(x2)	
	20	GV10260-001A	MECHA CHASSIS		
	21	QYSSSF3010ZA	TAP SCREW	M3 x 10mm(x2)	
	22	GV40584-001A	METAL COVER BKT	(x2)	
	23	QYSDSG3008NA	TAP SCREW	M3 x 8mm(x2)	
	24	QYSDSG3008NA	TAP SCREW	M3 x 8mm(x2)	
	25	QYSDSG3008NA	TAP SCREW	M3 x 8mm(x2)	
	26	GV30124-001A	TRANS SHIELD	(x2)	
	27	GV30349-046A	SPACER		
	28	GV30349-047A	SPACER		
	29	GV30349-049A	SPACER	(x2)	
	30	GV40589-001A	SWING CAM BKT	(x2)	
	31	GV40501-002A	SWING CAM	(x2)	
	32	GV40502-002A	SPRING	(x2)	
	33	QYSBSF3010ZA	TAP SCREW	M3 x 10mm(x2)	
	34	QYSBSF3010ZA	TAP SCREW	M3 x 10mm(x2)	
	35	GV40503-001A	WASHER	(x2)	
	36	GV40504-002A	SCREW	(x2)	
	37	GV40515-001A	METAL PIN	(x2)	
	38	GV10262-001A	CASS.HOLDER(A)		
	39	GV10261-001A	CASS.HOLDER(B)		
	40	GV20344-001A	CASS.LENS (A)		
	41	GV20343-001A	CASS.LENS (B)		
	42	GV30705-001A	LENS ORNAMENT		
	43	GV40596-001A	DOOR SPRING(B)		
	44	GV40619-001A	DOOR SPRING(A)		
	45	GV40034-001A	DAMPER ASSY.	(x2)	
	46	QYSBSF3010ZA	TAP SCREW	M3 x 10mm(x8)	
	47	VKY4180-401	CASSETTE SPRING	(x4)	
	48	VKL7850-002	EJECT SAFETY(R)	(x2)	
	49	VKW5258-003	TORSION SPRING	(x2)	
	50	E65923-009	TAPPING SCREW	(x2)	
	51	GV40618-001A	SLC BRACKET	(x2)	
	52	QYSBSFG3008ZA	TAP SCREW	M3 x 8mm(x3)	
	53	GV40035-002A	SCREW		
	54	GV30349-050A	SPACER		
	56	QYSBSF3010ZA	TAP SCREW	M3 x 10mm(x2)	
	57	GV10253-004A	BOTTOM CHASSIS		
	58	GV30706-001A	SUPPORT BKT.	(x3)	
	59	QYSBSG3006ZA	TAP SCREW	M3 x 6mm(x3)	
	60	QYSBSG3006ZA	TAP SCREW	M3 x 6mm	
	61	GV10254-003A/S/	METAL COVER		
	62	QYSDSTL4008EA	TAP SCREW	M4 x 8mm(x4)	
△	63	QMPG150-244-JC	POWER CORD(AST)	2.44m BLACK	A
△	63	QMPK210-205-JN	POWER CORD(EU)	2.05m BLACK	UG,UN,US,UW,UX
△	64	QZW0033-001	STRAIN RELIEF		
	65	QYSSST3008ZA	TAP SCREW	M3 x 8mm(x2)	
	66	QYSBSF3008ZA	TAP SCREW	M3 x 8mm	
	67	QYSBSGG3008EA	TAP SCREW	M3 x 8mm	
	68	QYSBSGG3008EA	TAP SCREW	M3 x 8mm	
	69	QYSBSGG3008EA	TAP SCREW	M3 x 8mm	
	70	GV30349-025A	SPACER		
	71	QYSBSF3008ZA	TAP SCREW	M3 x 8mm	
	72	QYSBSF3008ZA	TAP SCREW	M3 x 8mm	
	73	GV30694-002A	HEAT SINK		
	74	GV40488-001A	LEAF SPRING		

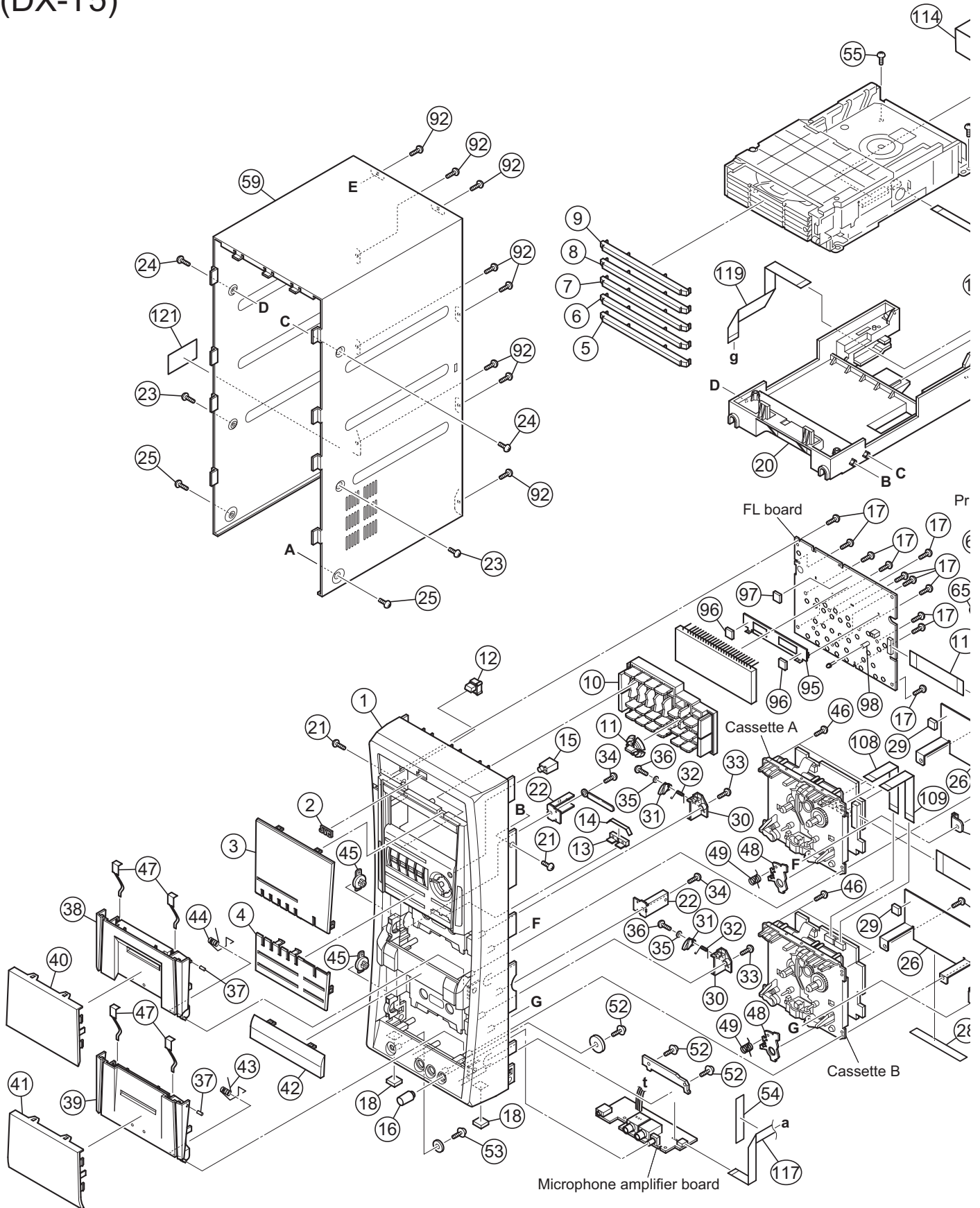


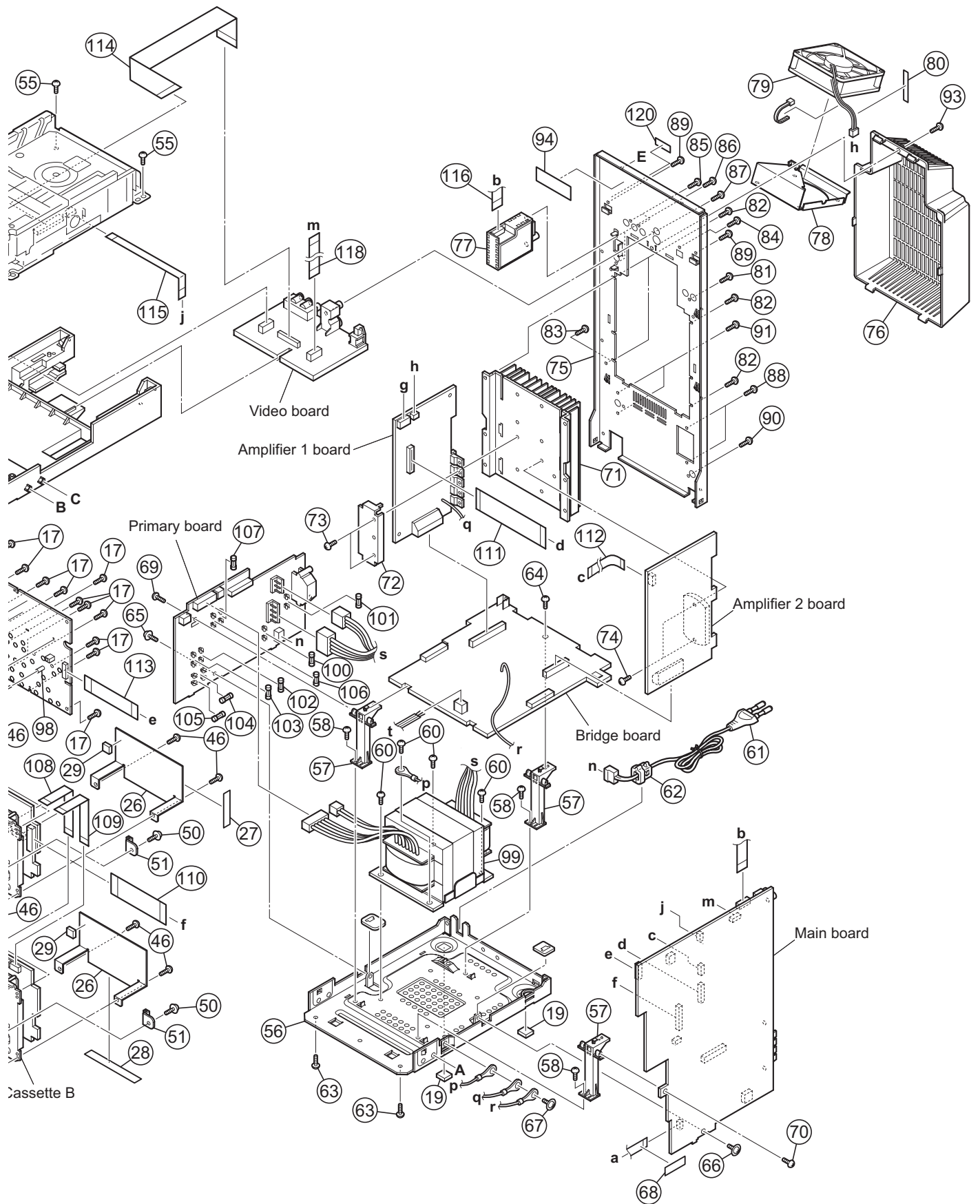
△	Symbol No.	Part No.	Part Name	Description	Local
	75	QYSBSG3016EA	TAP SCREW	M3 x 16mm(x2)	
	76	QYSBSG3016EA	TAP SCREW	M3 x 16mm(x2)	
	77	QYSBSG3016EA	TAP SCREW	M3 x 16mm(x2)	
	78	QYSBSG3016EA	TAP SCREW	M3 x 16mm	
	79	GV10255-023A	REAR PANEL		A
	79	GV10255-017A	REAR PANEL		UN,US
	79	GV10255-024A	REAR PANEL		UW
	79	GV10255-018A	REAR PANEL		UG,UX
	80	GV10263-002A	REAR COVER		
	81	QAU0307-003	TUNER		
	82	GV30686-001A	FAN BKT.		
	83	QAR0317-001	FAN		
	84	GV30349-026A	SPACER		
	85	QYSBSGY3008EA	TAP SCREW	AUX	
	86	QYSBSGY3008EA	TAP SCREW	HEAT SINK(x4)	
	87	QYSBSGY3008EA	TAP SCREW	EARTH PLATE	
	88	QYSBSGY3008EA	TAP SCREW	OPTICAL JACK	
	89	QYSBSGY3008EA	TAP SCREW	COMP. JACK(x2)	
	90	QYSBSGY3008EA	TAP SCREW	TUNNER PACK(x2)	
	91	QYSBSGY3008EA	TAP SCREW	VIDEO JACK	
	92	QYSBSGY3008EA	TAP SCREW	SPK. JACK(x2)	
	93	QYSBSGY3008EA	TAP SCREW	SPK. JACK(x2)	
	94	QYSBSGY3008EA	TAP SCREW	MECHA CHASSIS(x2)	
	95	QYSBSF3012EA	TAP SCREW	VOL. SELECTOR(x2)	
	96	QYSBSGY3008EA	TAP SCREW	METAL COVER(x8)	
	97	QYSBSGY3008EA	TAP SCREW	REAR COVER	
	98	LV41843-002A	LASER CAUTION		
	99	GV30687-002A	FL HOLDER		
	101	GV30349-021A	SPACER	(x2)	
	102	GV30349-049A	SPACER		
	103	GV40531-001A	LED HOLDER		
△	104	QQT0476-001	POWER TRANSF	T 1001	
△	105	QMF51W2-6R3-J8	FUSE	F 1001 6.3A AC250V	
△	106	QMF51W2-5R0-J8	FUSE	F 1002 5A AC250V	
△	107	QMF51W2-6R3-J8	FUSE	F 1003 6.3A AC250V	
△	108	QMF51W2-6R3-J8	FUSE	F 1004 6.3A AC250V	
△	109	QMF51W2-1R25-J8	FUSE	F 1005 1.25A AC250V	
△	110	QMF51W2-3R15-J8	FUSE	F 1006 3.15A AC250V	
△	111	QMF51W2-4R0-J8	FUSE	F 1007 4A AC250V	
△	112	QMF51W2-4R0-J8	FUSE	F 1008 4A AC250V	
△	113	QMF51W2-4R0-J8	FUSE	F 1009 4A AC250V	
△	114	QMF51W2-4R0-J8	FUSE	F 1010 4A AC250V	
	115	QUQH12-0910BJ-E	FFC WIRE	9pin 10cm	
	116	QUQH12-1010BJ-E	FFC WIRE	10pin 10cm	
	117	QUQH12-2512AJ-E	FFC WIRE	25pin 12cm	
	118	QUQH12-1916AJ-E	FFC WIRE	19pin 16cm	
	119	QUQH12-0808AJ-E	FFC WIRE	8pin 8cm	
	120	QUQH10-1910AJ-E	FFC WIRE	19pin 10cm	
	121	QUQH10-2823AJ-E	FFC WIRE	28pin 23cm	
	122	QUQH10-1016AJ-E	FFC WIRE	10pin 16cm	
	123	QUQH10-0814AJ-E	FFC WIRE	8pin 14cm	
	124	QUQH12-1118AJ-E	FFC WIRE	11pin 18cm	
	125	QUQH12-0516BJ-E	FFC WIRE	5pin 16cm	
	126	QUQH12-0813AJ-E	FFC WIRE	8pin 13cm	
	127	QUQH12-1118AJ-E	FFC WIRE	11pin 18cm	
	128	GV40641-001A	NOM LABEL		UW
	129	GV40642-001A	CAUTION LABEL		UW

# Exploded view of general assembly and parts list

(DX-T5)

Block No. M 3 M M





# General Assembly (DX-T5)

Block No. [M][3][M][M]

△	Symbol No.	Part No.	Part Name	Description	Local
	1	GV10276-003A	FRONT PANEL ASY		
	2	GV40077-002A	JVC BADGE		
	3	GV30697-004A	FL LENS		
	4	GV30698-003A	BUTTON LENS		
	5	GV30699-001A	TRAY FITTING 1		
	6	GV30700-001A	TRAY FITTING 2		
	7	GV30701-001A	TRAY FITTING 3		
	8	GV30702-001A	TRAY FITTING 4		
	9	GV30703-001A	TRAY FITTING 5		
	10	GV10273-002A	CENTER BUTTON		
	11	GV40586-004A	V.ILLUMINATION		
	12	GV40587-001A	POWER INDICATOR		
	13	GV40588-001A	RHYTM.INDICATOR		
	14	GV40628-001A	SPACER		
	15	GV40600-002A	REMOTE LENS		
	16	GV40608-001A	MIC.VOL KNOB		
	17	QYSDSF2608ZA	TAP SCREW	M2.6 x 8mm(x11)	
	18	GV40313-001A	FELT SPACER	(x2)	
	19	GV40313-002A	FELT SPACER	(x2)	
	20	GV10260-001A	MECHA CHASSIS		
	21	QYSSSF3010ZA	TAP SCREW	M3 x 10mm(x2)	
	22	GV40584-001A	METAL COVER BKT	(x2)	
	23	QYSDSG3008NA	TAP SCREW	M3 x 8mm(x2)	
	24	QYSDSG3008NA	TAP SCREW	M3 x 8mm(x2)	
	25	QYSDSG3008NA	TAP SCREW	M3 x 8mm(x2)	
	26	GV30124-001A	TRANS SHIELD	(x2)	
	27	GV30349-046A	SPACER		
	28	GV30349-047A	SPACER		
	29	GV30349-049A	SPACER	(x2)	
	30	GV40589-001A	SWING CAM BKT	(x2)	
	31	GV40501-002A	SWING CAM	(x2)	
	32	GV40502-002A	SPRING	(x2)	
	33	QYSBSF3010ZA	TAP SCREW	M3 x 10mm(x2)	
	34	QYSBSF3010ZA	TAP SCREW	M3 x 10mm(x2)	
	35	GV40503-001A	WASHER	(x2)	
	36	GV40504-002A	SCREW	(x2)	
	37	GV40515-001A	METAL PIN	(x2)	
	38	GV10262-001A	CASS.HOLDER(A)		
	39	GV10261-001A	CASS.HOLDER(B)		
	40	GV20344-001A	CASS.LENS (A)		
	41	GV20343-001A	CASS.LENS (B)		
	42	GV30705-002A	LENS ORNAMENT		
	43	GV40596-001A	DOOR SPRING(B)		
	44	GV40619-001A	DOOR SPRING(A)		
	45	GV40034-001A	DAMPER ASSY.	(x2)	
	46	QYSBSF3010ZA	TAP SCREW	M3 x 10mm(x8)	
	47	VKY4180-401	CASSETTE SPRING	(x4)	
	48	VKL7850-002	EJECT SAFETY(R)	(x2)	
	49	VKW5258-003	TORSION SPRING	(x2)	
	50	E65923-009	TAPPING SCREW	(x2)	
	51	GV40618-001A	SLC BRACKET	(x2)	
	52	QYSBSFG3008ZA	TAP SCREW	M3 x 8mm(x3)	
	53	GV40035-002A	SCREW		
	54	GV30349-050A	SPACER		
	55	QYSBSF3010ZA	TAP SCREW	M3 x 10mm(x2)	
	56	GV10253-004A	BOTTOM CHASSIS		
	57	GV30706-001A	SUPPORT BKT.	(x3)	
	58	QYSBSG3006ZA	TAP SCREW	M3 x 6mm(x3)	
	59	GV10254-003A/S/	METAL COVER		
	60	QYSDSTL4008EA	TAP SCREW	M4 x 8mm(x4)	
△	61	QMPK210-205-JN	POWER CORD(EU)	2.05m BLACK	UG,UN,US,UW,UX
△	61	QMPR300-200-JC	POWER CORD(EU)	2m BLACK	UY
△	62	QZW0033-001	STRAIN RELIEF		
	63	QYSSST3008ZA	TAP SCREW	M3 x 8mm(x2)	
	64	QYSBSF3008ZA	TAP SCREW	M3 x 8mm	
	65	QYSBSGG3008EA	TAP SCREW	M3 x 8mm	
	66	QYSBSGG3008EA	TAP SCREW	M3 x 8mm	
	67	QYSBSGG3008EA	TAP SCREW	M3 x 8mm	
	68	GV30349-025A	SPACER		
	69	QYSBSF3008ZA	TAP SCREW	M3 x 8mm	
	70	QYSBSF3008ZA	TAP SCREW	M3 x 8mm	
	71	GV30694-004A	HEAT SINK		
	72	GV40488-001A	LEAF SPRING		
	73	QYSBSG3016EA	TAP SCREW	M3 x 16mm(x2)	

△	Symbol No.	Part No.	Part Name	Description	Local
	74	QYSBSG3016EA	TAP SCREW	M3 x 16mm(x2)	
	75	GV10255-015A	REAR PANEL		UN,US
	75	GV10255-013A	REAR PANEL		UW
	75	GV10255-016A	REAR PANEL		UG,UX
	75	GV10255-014A	REAR PANEL		UY
	76	GV10263-002A	REAR COVER		
	77	QAU0307-003	TUNER		
	78	GV30686-001A	FAN BKT.		
	79	QAR0317-001	FAN		
	80	GV30349-026A	SPACER		
	81	QYSBSGY3008EA	TAP SCREW	AUX	
	82	QYSBSGY3008EA	TAP SCREW	HEAT SINK(x4)	
	83	QYSBSGY3008EA	TAP SCREW	EARTH PLATE	
	84	QYSBSGY3008EA	TAP SCREW	OPTICAL JACK	
	85	QYSBSGY3008EA	TAP SCREW	COMP. JACK(x2)	
	86	QYSBSGY3008EA	TAP SCREW	TUNNER PACK(x2)	
	87	QYSBSGY3008EA	TAP SCREW	VIDEO JACK	
	88	QYSBSGY3008EA	TAP SCREW	SPK. JACK(x2)	
	89	QYSBSGY3008EA	TAP SCREW	MECHA CHASSIS(x2)	
	90	QYSBSGY3008EA	TAP SCREW	SUB WOOFER	
	91	QYSBSF3012EA	TAP SCREW	VOL. SELECTOR(x2)	
	92	QYSBSGY3008EA	TAP SCREW	METAL COVER(x8)	
	93	QYSBSGY3008EA	TAP SCREW	REAR COVER	
	94	LV41843-002A	LASER CAUTION		
	95	GV30687-002A	FL HOLDER		
	96	GV30349-021A	SPACER	(x2)	
	97	GV30349-049A	SPACER		
	98	GV40531-001A	LED HOLDER		
	99	QQT0475-001	POWER TRANSF	T 1001	
△	100	QMF51W2-6R3-J8	FUSE	F 1001 6.3A AC250V	
△	101	QMF51W2-3R15-J8	FUSE	F 1002 3.15A AC250V	
△	102	QMF51W2-6R3-J8	FUSE	F 1003 6.3A AC250V	
△	103	QMF51W2-6R3-J8	FUSE	F 1004 6.3A AC250V	
△	104	QMF51W2-1R25-J8	FUSE	F 1005 1.25A AC250V	
△	105	QMF51W2-3R15-J8	FUSE	F 1006 3.15A AC250V	
△	106	QMF51W2-6R3-J8	FUSE	F 1007 6.3A AC250V	
△	107	QMF51W2-6R3-J8	FUSE	F 1008 6.3A AC250V	
	108	QUQH12-0910BJ-E	FFC WIRE	9pin 10cm	
	109	QUQH12-1010BJ-E	FFC WIRE	10pin 10cm	
	110	QUQH12-2512AJ-E	FFC WIRE	25pin 12cm	
	111	QUQH12-1316AJ-E	FFC WIRE	13pin 16cm	
	112	QUQH12-0808AJ-E	FFC WIRE	8pin 8cm	
	113	QUQH10-1910AJ-E	FFC WIRE	19pin 10cm	
	114	QUQH10-2823AJ-E	FFC WIRE	28pin 23cm	
	115	QUQH10-1016AJ-E	FFC WIRE	10pin 16cm	
	116	QUQH12-1118AJ-E	FFC WIRE	11pin 18cm	
	117	QUQH12-0516BJ-E	FFC WIRE	5pin 16cm	
	118	QUQH12-0813AJ-E	FFC WIRE	8pin 13cm	
	119	QUQH12-1118AJ-E	FFC WIRE	11pin 18cm	
	120	GV40641-001A	NOM LABEL		UW
	120	LV42938-001A	LABEL		UY
	121	GV40642-001A	CAUTION LABEL		UW

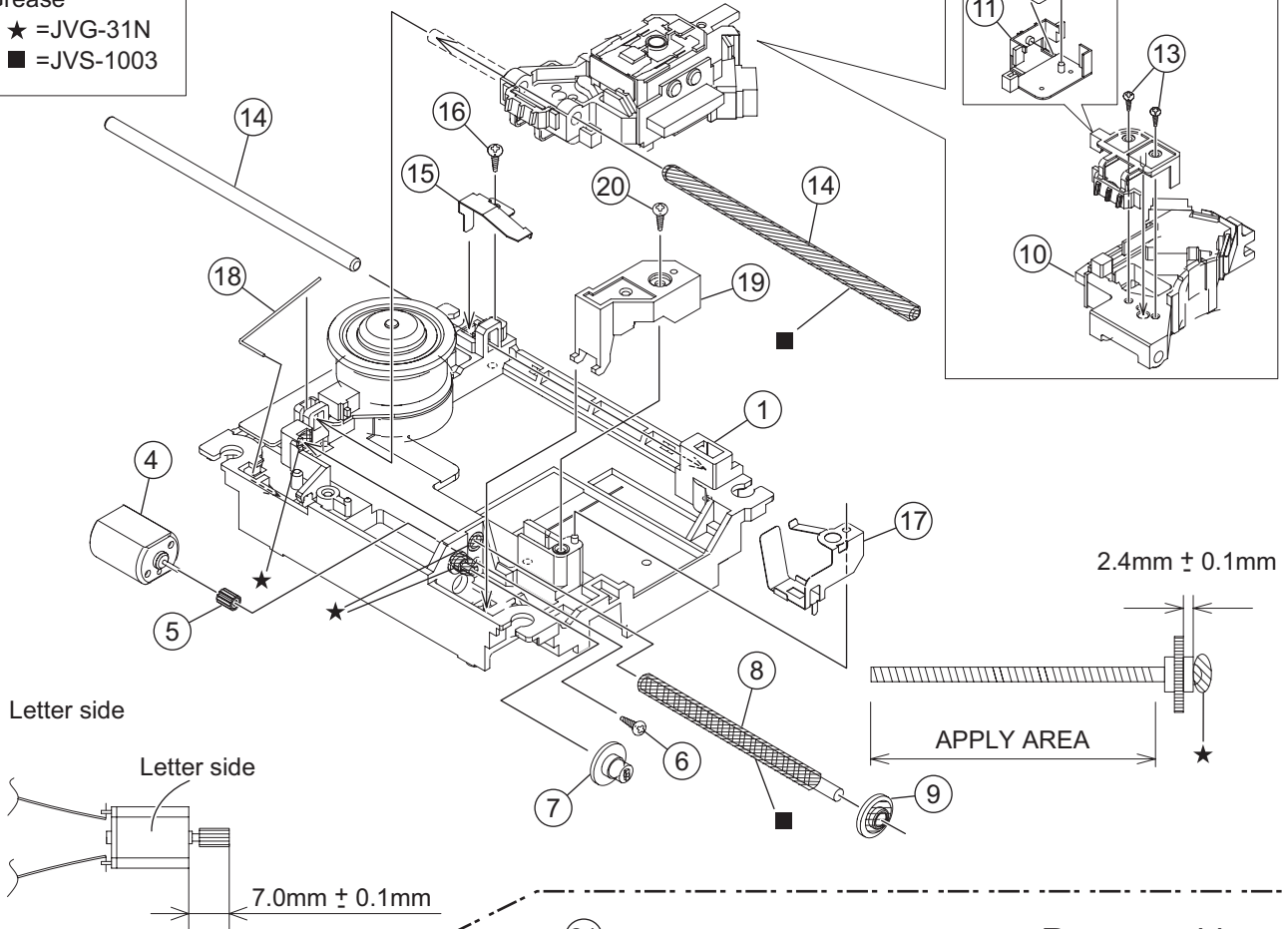
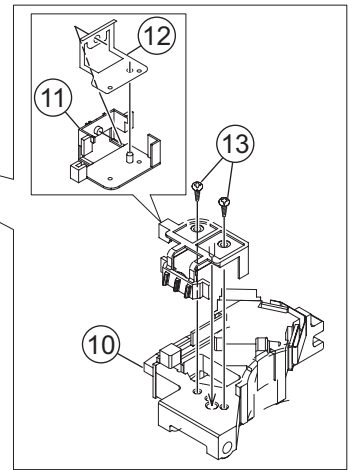
# DVD mechanism assembly and parts list

(Common)

Block No. M J M M

Grease  
 ★ =JVG-31N  
 ■ =JVS-1003

FXL-D8-1M



Letter side

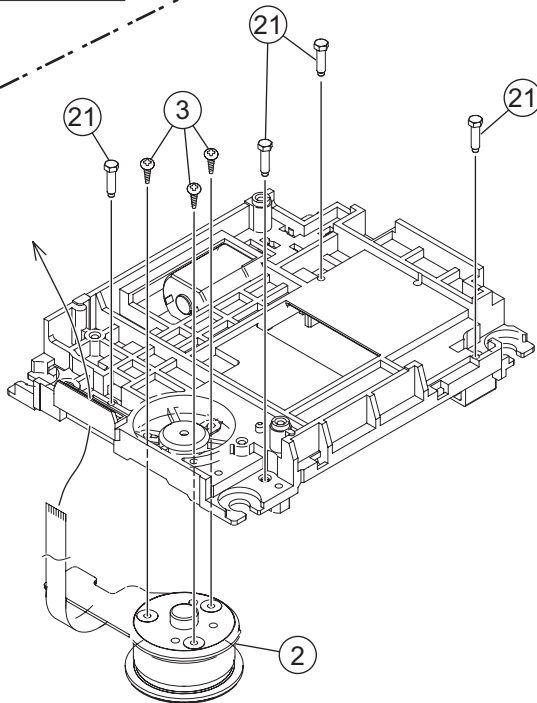
Letter side

7.0mm ± 0.1mm

2.4mm ± 0.1mm

APPLY AREA

Reverse side



The parts without symbol number are not service.



## DVD mechanism (Common)

Block No. [M][J][M][M]

△	Symbol No.	Part No.	Part Name	Description	Local
	1	LV10985-001A	C.TM CHASSIS		
	2	QAR0334-002	S.MOTOR		
	3	QYSPSPU1740ZA	SCREW	M1.7 x 4mm(x3)	
	4	QAR0144-003	MOTOR		
	5	VKS5557-001	F.M. GEAR		
	6	QYSPSPT2025ZA	SCREW	M2 x 2.5mm	
	7	LV35461-002A	MIDDLE GEAR		
	8	LV44040-001A	SCREW SHAFT		
	9	LV35462-001A	SCREW SHAFT GEA		
	10	QAL0667-001	DVD PICK		
	11	LV21869-001A	RACK ARM		
	12	LV35463-001A	RACK ARM SPRING		
	13	QYSPSFU1740ZA	TAP SCREW	M1.7 x 4mm(x2)	
	14	LV44041-001A	GUIDE SHAFT	(x2)	
	15	LV35464-001A	G.SHAFT ADJ.SP		
	16	QYSDSF2005ZA	TAP SCREW	M2 x 5mm	
	17	LV35465-001A	THRUST SPRING		
	18	LV44042-001A	ROD SPRING		
	19	LV35467-001A	FEED BRACKET		
	20	QYSDSF2005ZA	TAP SCREW	M2 x 5mm	
	21	LV44046-001A	ADJUST SCREW	(x4)	

# DVD changer mechanism assembly and parts list (DX-T9,DX-T7)

FMU-SM1-1M

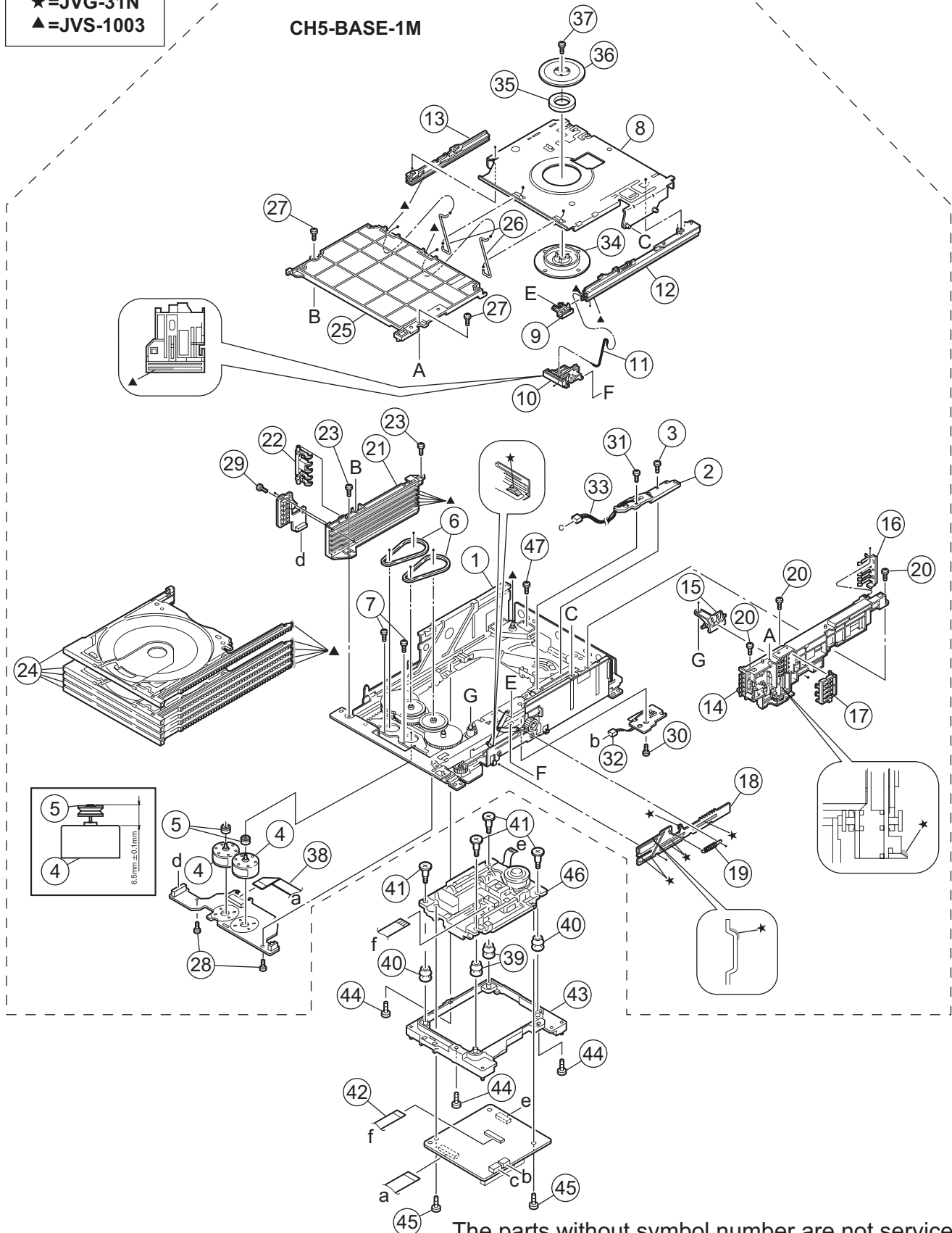
Block No. M K M M

Grease

★=JVG-31N

▲=JVS-1003

CH5-BASE-1M



The parts without symbol number are not service.

# DVD changer mechanism(FMU-SM1-1M) (DX-T9,DX-T7)

Block No. [M][K][M][M]

△	Symbol No.	Part No.	Part Name	Description	Local
	1	LV10913-004A	LOADER ASSY		
	2	QVY0027-B14	S V RESISTOR		
	3	QYSDST2004ZA	TAP SCREW	M2 x 4mm	
	4	QAR0164-001	MOTOR	(x2)	
	5	LV42340-001A	MOTOR PULLEY	(x2)	
	6	LV41431-002A	BELT	(x2)	
	7	QYSPSPU1725NA	SCREW	M1.7 x 2.5mm(x2)	
	8	LV33965-004A	LIFTER ASSY		
	9	LV33963-001A	HOOK		
	10	LV33964-002A	HOOK STOPPER		
	11	LV43285-001A	ROD (L)		
	12	LV21408-002A	RAIL(R)		
	13	LV21409-002A	RAIL(L)		
	14	LV21520-004A	SIDE(R) ASSY		
	15	LV33974-002A	SELECT LEVER		
	16	LV33977-002A	CLICK SPRING		
	17	LV33975-001A	GEAR COVER		
	18	LV33976-002A	ELEVATOR CAM		
	19	LV43287-001A	ELEVATOR SPRING		
	20	QYSDST2605ZA	TAP SCREW	M2.6 x 5mm(x3)	
	21	LV10749-002A	SIDE(L)		
	22	LV33980-002A	OPEN DET.LEVER		
	23	QYSDST2605ZA	TAP SCREW	M2.6 x 5mm(x2)	
	24	LV10746-006A	TRAY ASSY	(x5)	
	25	LV10750-003A	TOP COVER		
	26	LV43289-003A	ROD	(x2)	
	27	QYSDSF2608ZA	TAP SCREW	M2.6 x 8mm(x2)	
	28	QYSDST2605ZA	TAP SCREW	M2.6 x 5mm(x2)	
	29	QYSDSF2608ZA	TAP SCREW	M2.6 x 8mm	
	30	QYSDST2605ZA	TAP SCREW	M2.6 x 5mm	
	31	QYSDST2004ZA	TAP SCREW	M2 x 4mm	
	32	WJM0330-002A-E	E-SI C WIRE C-F		
	33	WJM0331-001A-E	E-SI C WIRE C-F		
	34	LV32417-001A	CLAMPER		
	35	LV42930-003A	P.C.MAGNET		
	36	LV33992-001A	DVD YOKE		
	37	LV41741-003A	SPECIAL SCREW		
	38	QUQ110-1508BJ	FFC WIRE	15pin 8cm	
	39	LV44043-002A	INSULATOR	(x2)	
	40	LV44043-003A	INSULATOR	(x2)	
	41	LV44045-001A	SPECIAL SCREW	(x4)	
	42	LV44092-002A	PICK FFC		
	43	LV10986-001A	TRAMECHA HOLDER		
	44	QYSDST2605ZA	TAP SCREW	M2.6 x 5mm(x3)	
	45	LV44209-001A	WASHER SCREW	(x2)	
	46	-----	DVD TRAMECHA		
	47	QYSDST2605ZA	SCREW	M2.6 x 5 mm	

# DVD changer mechanism assembly and parts list (DX-T5)

FMU-SM1-11M

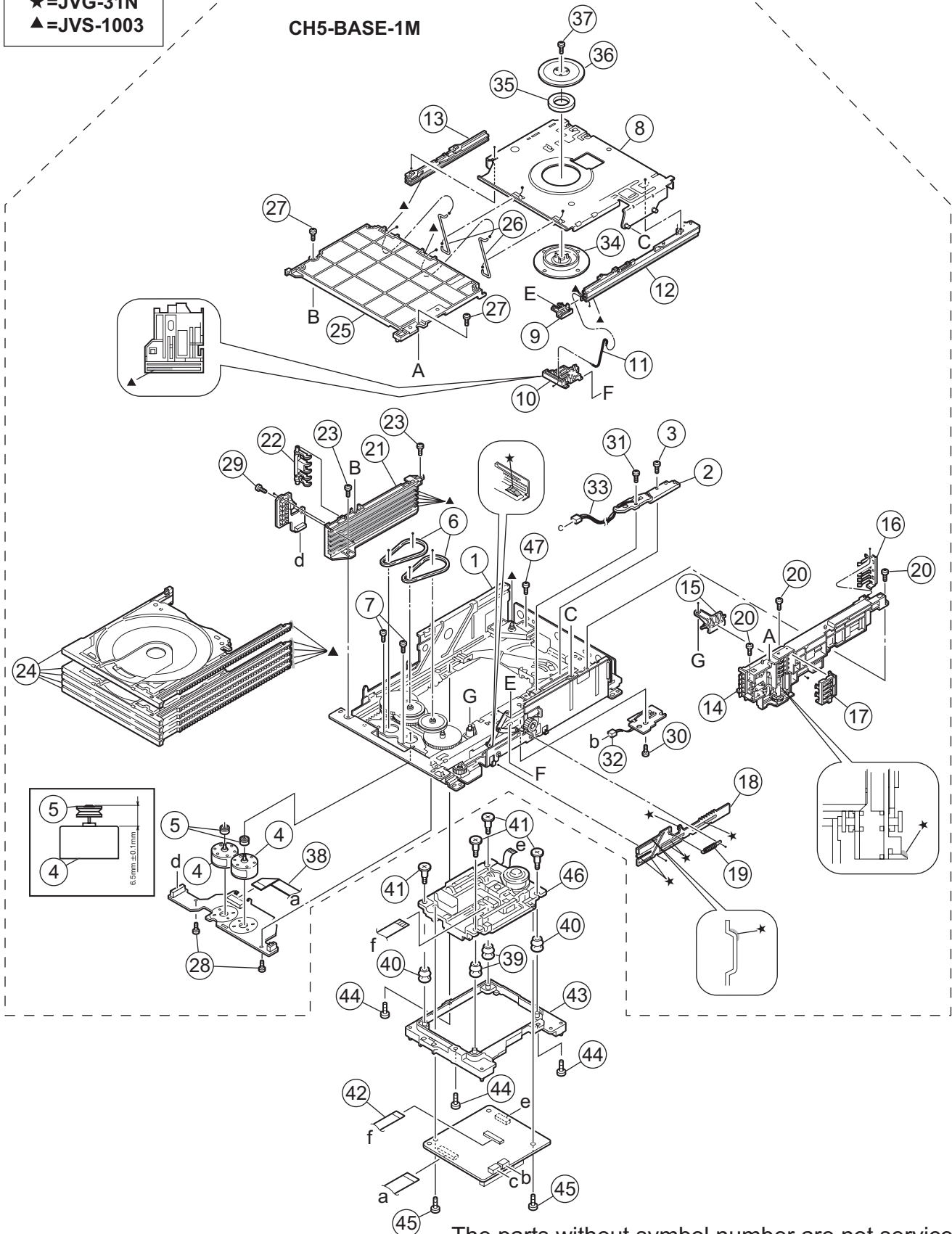
Block No. M S M M

Grease

★=JVG-31N

▲=JVS-1003

CH5-BASE-1M



The parts without symbol number are not service.

# DVD changer mechanism(FMU-SM1-11M) (DX-T5)

Block No. [M][S][M][M]

△	Symbol No.	Part No.	Part Name	Description	Local
1		LV10913-004A	LOADER ASSY		
2		QVY0027-B14	S V RESISTOR		
3		QYSDST2004ZA	TAP SCREW	M2 x 4mm	
4		QAR0164-001	MOTOR	(x2)	
5		LV42340-001A	MOTOR PULLEY	(x2)	
6		LV41431-002A	BELT	(x2)	
7		QYSPSPU1725NA	SCREW	M1.7 x 2.5mm(x2)	
8		LV33965-004A	LIFTER ASSY		
9		LV33963-001A	HOOK		
10		LV33964-002A	HOOK STOPPER		
11		LV43285-001A	ROD (L)		
12		LV21408-002A	RAIL(R)		
13		LV21409-002A	RAIL(L)		
14		LV21520-004A	SIDE(R) ASSY		
15		LV33974-002A	SELECT LEVER		
16		LV33977-002A	CLICK SPRING		
17		LV33975-001A	GEAR COVER		
18		LV33976-002A	ELEVATOR CAM		
19		LV43287-001A	ELEVATOR SPRING		
20		QYSDST2605ZA	TAP SCREW	M2.6 x 5mm(x3)	
21		LV10749-002A	SIDE(L)		
22		LV33980-002A	OPEN DET.LEVER		
23		QYSDST2605ZA	TAP SCREW	M2.6 x 5mm(x2)	
24		LV10746-006A	TRAY ASSY	(x5)	
25		LV10750-003A	TOP COVER		
26		LV43289-003A	ROD	(x2)	
27		QYSDSF2608ZA	TAP SCREW	M2.6 x 8mm(x2)	
28		QYSDST2605ZA	TAP SCREW	M2.6 x 5mm(x2)	
29		QYSDSF2608ZA	TAP SCREW	M2.6 x 8mm	
30		QYSDST2605ZA	TAP SCREW	M2.6 x 5mm	
31		QYSDST2004ZA	TAP SCREW	M2 x 4mm	
32		WJM0330-002A-E	E-SI C WIRE C-F		
33		WJM0331-001A-E	E-SI C WIRE C-F		
34		LV32417-001A	CLAMPER		
35		LV42930-003A	P.C.MAGNET		
36		LV33992-001A	DVD YOKE		
37		LV41741-003A	SPECIAL SCREW		
38		QUQ110-1508BJ	FFC WIRE	15pin 8cm	
39		LV44043-002A	INSULATOR	(x2)	
40		LV44043-003A	INSULATOR	(x2)	
41		LV44045-001A	SPECIAL SCREW	(x4)	
42		LV44092-002A	PICK FFC		
43		LV10986-001A	TRAMECHA HOLDER		
44		QYSDST2605ZA	TAP SCREW	M2.6 x 5mm(x3)	
45		LV44209-001A	WASHER SCREW	(x2)	
46		-----	DVD TRAMECHA		
47		QYSDST2605ZA	SCREW	M2.6 x 5 mm	

# Cassette mechanism assembly and parts list

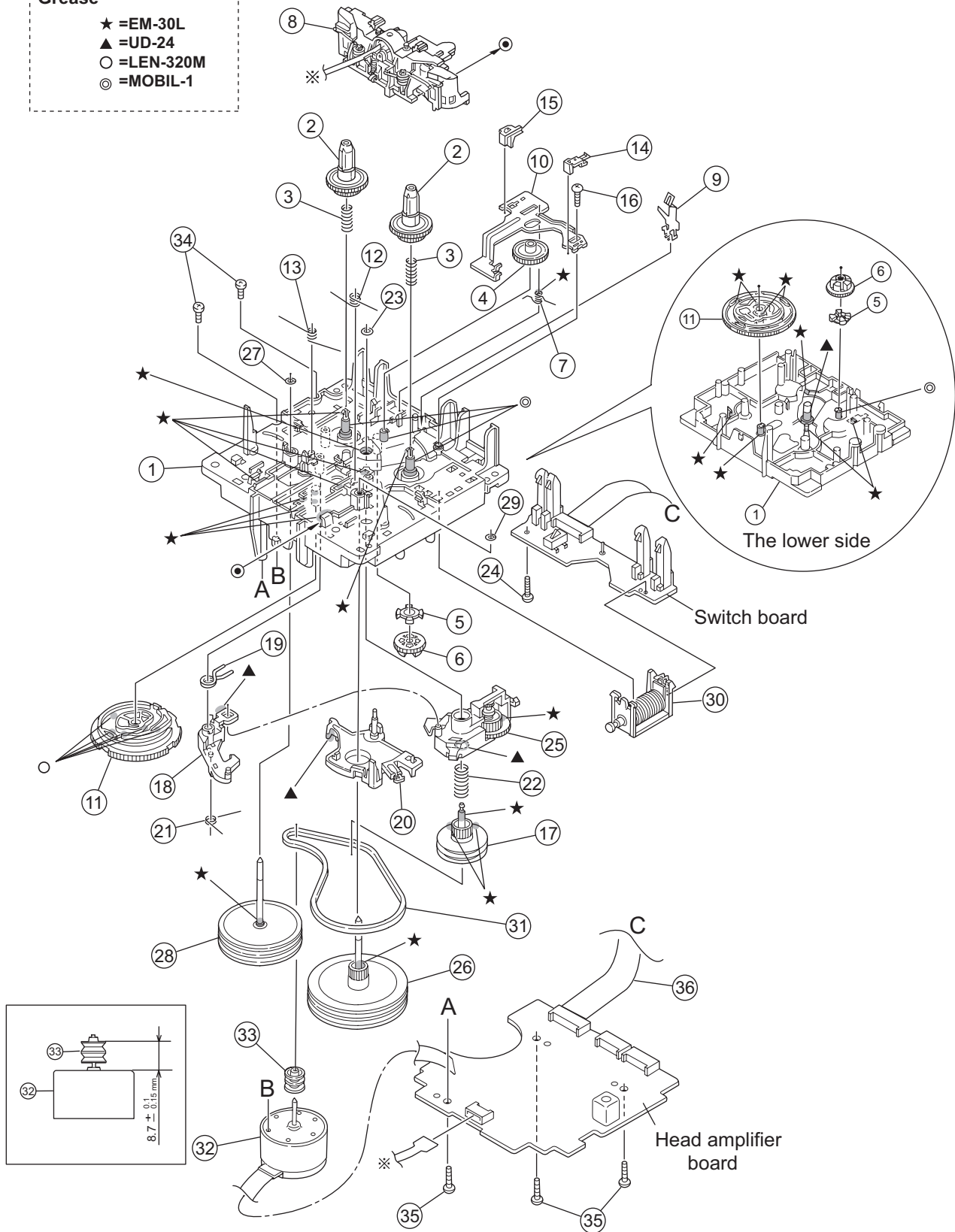
Block No. M P M M

## Cassette A (Common)

SLC-S401M

**Grease**

- ★ =EM-30L
- ▲ =UD-24
- =LEN-320M
- ◎ =MOBIL-1



The parts without symbol number are not service.



# Cassette mechanism(SLC-S401M)-Cassette A (Common)

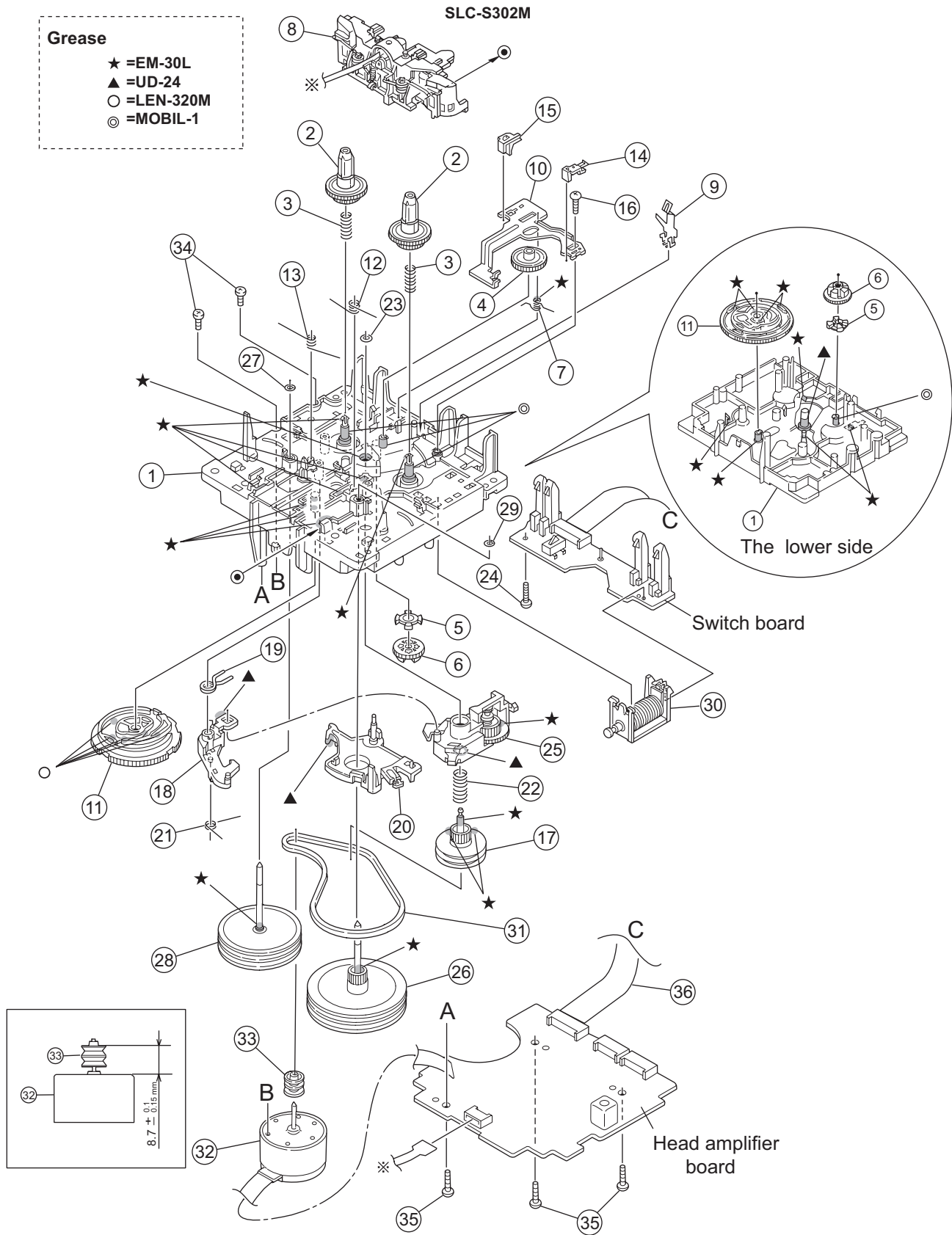
Block No. [M][P][M][M]

△	Symbol No.	Part No.	Part Name	Description	Local
	1	VKS1165-00N	CHASSIS B. ASSY		
	2	VKS2274-002	REEL GEAR	(x2)	
	3	VKW5286-002	B.T. SPRING	(x2)	
	4	VKS5559-001	PLAY IDLE GEAR		
	5	VKS5595-002	BLIND		
	6	VKS5560-003	FR IDLE GEAR		
	7	LV42013-001A	EARTH SPRING		
	8	VKS2279-00GSS	HEAD MOUNT ASSY		
	9	VKY3149-002	CASSETTE SP.		
	10	LV31786-004A	PLAY SW LEVER		
	11	VKS1166-003	CONTROL CAM		
	12	VKW5279-002	HEAD BASE SP(R)		
	13	VKW5280-001	HEAD BASE SP(L)		
	14	LV41584-001A	BRAKE(R)		
	15	LV41585-003A	BRAKE(L)		
	16	LV44098-001A	SPECIAL SCREW		
	17	VKS5603-00H	MAIN PULLEY ASS		
	18	VKS3785-001MM	FR ARM		
	19	VKW5284-002	SWING SPRING		
	20	VKS2278-003	TRIGGER ARM		
	21	VKW5301-001	FR SPRING		
	22	VKW5266-001	ELEVATOR SPRING		
	23	WDL214025	WASHER		
	24	QYSBSF2005ZA	TAP SCREW	M2 x 5mm	
	25	VKS3786-00G	CLUTCH ASSY		
	26	VKF3205-00B	F.WHEEL ASSY(R)		
	27	WDL183425	SLIT WASHER		
	28	VKF3207-00C	F.WHEEL ASSY(L)		
	29	WDL173525-6	SLIT WASHER		
	30	VKZ3174-00B	DC SOLENOID		
	31	LV42836-001A	CAPSTAN BELT		
	32	QAR0309-001	D.C.MOTOR		
	33	VKR4761-003	MOTOR PULLEY		
	34	QYSFSP2604ZA	SCREW	M2.6 x 4mm(x2)	
	35	QYSBSF2608ZA	TAP SCREW	M2.6 x 8mm(x3)	
	36	QUQH12-0906BF	FFC WIRE	9pin 6cm	

# Cassette mechanism assembly and parts list

Block No. M Q M M

## Cassette B (Common)



## Cassette mechanism(SLC-S302M)-CassetteB (Common)

Block No. [M][Q][M][M]

△	Symbol No.	Part No.	Part Name	Description	Local
	1	VKS1165-00N	CHASSIS B. ASSY		
	2	VKS2274-002	REEL GEAR	(x2)	
	3	VKW5286-002	B.T. SPRING	(x2)	
	4	VKS5559-001	PLAY IDLE GEAR		
	5	VKS5595-002	BLIND		
	6	VKS5560-003	FR IDLE GEAR		
	7	LV42013-001A	EARTH SPRING		
	8	SLC-RP4SVM	HEAD MOUNT ASSY		
	9	VKY3149-002	CASSETTE SP.		
	10	LV31786-002A	PLAY LEVER		
	11	VKS1166-003	CONTROL CAM		
	12	VKW5279-002	HEAD BASE SP(R)		
	13	VKW5280-001	HEAD BASE SP(L)		
	14	LV41584-001A	BRAKE(R)		
	15	LV41585-003A	BRAKE(L)		
	16	QYSBSF2005Z	SCREW	2mm x 5mm	
	17	VKS5603-00G	MAIN PULLEY ASS		
	18	VKS3785-001MM	FR ARM		
	19	VKW5284-002	SWING SPRING		
	20	VKS2278-003	TRIGGER ARM		
	21	VKW5301-001	FR SPRING		
	22	VKW5266-001	ELEVATOR SPRING		
	23	WDL214025	WASHER		
	24	QYSBSF2005Z	SCREW	2mm x 5mm	
	25	VKS3786-00G	CLUTCH ASSY		
	26	VKF3205-00B	F.WHEEL ASSY(R)		
	27	WDL183425	SLIT WASHER		
	28	VKF3207-00C	F.WHEEL ASSY(L)		
	29	WDL173525-6	SLIT WASHER		
	30	VKZ3174-00B	DC SOLENOID		
	31	LV42836-001A	CAPSTAN BELT		
	32	MSI-5U2LWA	D.C.MOTOR		
	33	VKR4761-003	MOTOR PULLEY		
	34	QYSFSP2604Z	SCREW	2.6mm x 4mm(x2)	
	35	QYSBSF2608Z	TAPPING SCREW	2.6mm x 8mm(x3)	
	36	QUQH12-0906BF	WIRE		

# Electrical parts list

## Amplifier board (DX-T9)

Block No. [0][1]

△ Symbol No.	Part No.	Part Name	Description	Local
△ IC301	STK413-430	IC		
△ IC302	KIA7809API	IC		
△ IC303	KIA7805API	IC		
△ IC304	KIA7810API	IC		
△ IC305	KIA278R05PI	TRANSISTOR		
△ IC306	KIA278R09PI	TRANSISTOR		
△ IC307	KIA317PI	IC		
△ IC308	KIA7805API	IC		
△ IC401	STK412-430	POWER I.C		
△ IC402	STK412-430	POWER I.C		
IC500	PT6305	FL DRIVER		
IC510	GP1UM281XKVF	IR DETECT UNIT		
Q3101	KTC3200/GL/-T	TRANSISTOR		
Q3102	KTA1023/OY/-T	TRANSISTOR		
Q3103	KTA1268/GL/-T	TRANSISTOR		
Q3104	KTC1027/OY/-T	TRANSISTOR		
Q3401	KTC3199/GL/-T	TRANSISTOR		
Q3501	KTC3199/GL/-T	TRANSISTOR		
Q3601	KTC3199/GL/-T	TRANSISTOR		
Q3901	KTC3203/OY/-T	TRANSISTOR		
Q3902	KRC102M-T	DIGI TRANSISTOR		
Q4101	KTC3199/GL/-T	TRANSISTOR		
Q4201	KTC3199/GL/-T	TRANSISTOR		
Q4401	KTC3200/GL/-T	TRANSISTOR		
Q4402	KTA1023/OY/-T	TRANSISTOR		
Q4403	KTA1268/GL/-T	TRANSISTOR		
Q4404	KTC1027/OY/-T	TRANSISTOR		
Q4601	KTC3199/GL/-T	TRANSISTOR		
Q4701	KTC3199/GL/-T	TRANSISTOR		
Q4901	KTC1027/OY/-T	TRANSISTOR		
Q4902	KTA1023/OY/-T	TRANSISTOR		
Q4903	KTC3199/GL/-T	TRANSISTOR		
Q4904	KTA1023/OY/-T	TRANSISTOR		
Q5004	KRC102M-T	DIGI TRANSISTOR		
Q5005	KRC102M-T	DIGI TRANSISTOR		
Q5006	KRC102M-T	DIGI TRANSISTOR		
Q5007	KRC102M-T	DIGI TRANSISTOR		
Q5008	KTA1023/OY/-T	TRANSISTOR		
Q5009	KRC102M-T	DIGI TRANSISTOR		
Q5010	KRC110M-T	TRANSISTOR		
Q5011	KTC3199/GL/-T	TRANSISTOR		
D3101	1SS119-041-T2	DIODE		
D3301	MTZJ15B-T2	Z DIODE		
D3302	MTZJ15B-T2	Z DIODE		
D3303	MTZJ36A-T2	Z DIODE		
D3304	MTZJ36A-T2	Z DIODE		
D3401	1SS119-041-T2	DIODE		
D3501	1SS119-041-T2	DIODE		
D3601	1SS119-041-T2	DIODE		
D3701	MTZJ5.6C-T2	Z DIODE		
D3811	MTZJ11B-T2	Z DIODE		
D3821	MTZJ11C-T2	Z DIODE		
D3831	1SS119-041-T2	DIODE		
D3832	MTZJ6.2B-T2	Z DIODE		
D3841	MTZJ11B-T2	Z DIODE		
D3901	MTZJ15A-T2	Z DIODE		
D3902	1SS119-041-T2	DIODE		
D4001	MTZJ15B-T2	Z DIODE		
D4002	MTZJ15B-T2	Z DIODE		
D4003	MTZJ36A-T2	Z DIODE		
D4004	MTZJ36A-T2	Z DIODE		
D4101	1SS119-041-T2	DIODE		
D4201	1SS119-041-T2	DIODE		
D4401	1SS119-041-T2	DIODE		
D4501	MTZJ15B-T2	Z DIODE		
D4502	MTZJ15B-T2	Z DIODE		
D4503	MTZJ36A-T2	Z DIODE		
D4504	MTZJ36A-T2	Z DIODE		
D4601	1SS119-041-T2	DIODE		
D4701	1SS119-041-T2	DIODE		

△ Symbol No.	Part No.	Part Name	Description	Local
D4901	1SS119-041-T2	DIODE		
D5004	SLI-343URC-W-T	LED		
D5005	SLI-343URC-W-T	LED		
D5006	SELU2E10C-P	LED		
D5007	SLR-343VC-T	LED		
C3101	QETN1AM-107Z	E CAPACITOR	100uF 10V M	
C3102	QFZ0212-104Z	M CAPACITOR	0.1uF	
C3103	QFZ0212-104Z	M CAPACITOR	0.1uF	
C3104	QETN1HM-105Z	E CAPACITOR	1uF 50V M	
C3201	QCBB1HK-221Y	C CAPACITOR	220pF 50V K	
C3202	QETN1HM-106Z	E CAPACITOR	10uF 50V M	
C3203	QCBB1HK-471Y	C CAPACITOR	470pF 50V K	
C3211	QCBB1HK-221Y	C CAPACITOR	220pF 50V K	
C3212	QETN1HM-106Z	E CAPACITOR	10uF 50V M	
C3213	QCBB1HK-471Y	C CAPACITOR	470pF 50V K	
C3221	QCBB1HK-221Y	C CAPACITOR	220pF 50V K	
C3222	QETN1HM-106Z	E CAPACITOR	10uF 50V M	
C3223	QCBB1HK-471Y	C CAPACITOR	470pF 50V K	
C3402	QCSB1HK-4R7Y	C CAPACITOR	4.7pF 50V K	
C3403	QETN1JM-476Z	E CAPACITOR	47uF 63V M	
C3404	QFLC1HJ-104Z	M CAPACITOR	0.1uF 50V J	
C3405	QFLC1HJ-104Z	M CAPACITOR	0.1uF 50V J	
C3502	QCSB1HK-4R7Y	C CAPACITOR	4.7pF 50V K	
C3503	QETN1JM-476Z	E CAPACITOR	47uF 63V M	
C3504	QFLC1HJ-104Z	M CAPACITOR	0.1uF 50V J	
C3505	QFLC1HJ-104Z	M CAPACITOR	0.1uF 50V J	
C3602	QCSB1HK-4R7Y	C CAPACITOR	4.7pF 50V K	
C3603	QETN1JM-476Z	E CAPACITOR	47uF 63V M	
C3604	QFLC1HJ-104Z	M CAPACITOR	0.1uF 50V J	
C3605	QFLC1HJ-104Z	M CAPACITOR	0.1uF 50V J	
C3701	QETN1EM-476Z	E CAPACITOR	47uF 25V M	
C3702	QETN1CM-107Z	E CAPACITOR	100uF 16V M	
C3811	QETN1EM-476Z	E CAPACITOR	47uF 25V M	
C3812	QETN1CM-107Z	E CAPACITOR	100uF 16V M	
C3821	QETN1EM-476Z	E CAPACITOR	47uF 25V M	
C3822	QETN1CM-107Z	E CAPACITOR	100uF 16V M	
C3831	QETN1EM-476Z	E CAPACITOR	47uF 25V M	
C3832	QETN1CM-107Z	E CAPACITOR	100uF 16V M	
C3841	QETN1EM-476Z	E CAPACITOR	47uF 25V M	
C3842	QETN1CM-107Z	E CAPACITOR	100uF 16V M	
C3851	QETN1EM-476Z	E CAPACITOR	47uF 25V M	
C3852	QETN1CM-107Z	E CAPACITOR	100uF 16V M	
C4102	QCSB1HK-4R7Y	C CAPACITOR	4.7pF 50V K	
C4103	QETN1JM-476Z	E CAPACITOR	47uF 63V M	
C4104	QFLC1HJ-104Z	M CAPACITOR	0.1uF 50V J	
C4105	QFLC1HJ-104Z	M CAPACITOR	0.1uF 50V J	
C4202	QCSB1HK-4R7Y	C CAPACITOR	4.7pF 50V K	
C4203	QETN1JM-476Z	E CAPACITOR	47uF 63V M	
C4204	QFLC1HJ-104Z	M CAPACITOR	0.1uF 50V J	
C4205	QFLC1HJ-104Z	M CAPACITOR	0.1uF 50V J	
C4301	QCBB1HK-221Y	C CAPACITOR	220pF 50V K	
C4302	QTE1V06-106Z	E CAPACITOR	10uF 35V	
C4311	QCBB1HK-221Y	C CAPACITOR	220pF 50V K	
C4312	QTE1V06-106Z	E CAPACITOR	10uF 35V	
C4313	QCBB1HK-471Y	C CAPACITOR	470pF 50V K	
C4401	QETN1AM-107Z	E CAPACITOR	100uF 10V M	
C4402	QFZ0212-104Z	M CAPACITOR	0.1uF	
C4403	QFZ0212-104Z	M CAPACITOR	0.1uF	
C4404	QETN1HM-105Z	E CAPACITOR	1uF 50V M	
C4405	QETN1HM-105Z	E CAPACITOR	1uF 50V M	
C4602	QCSB1HK-4R7Y	C CAPACITOR	4.7pF 50V K	
C4603	QETN1JM-476Z	E CAPACITOR	47uF 63V M	
C4604	QFLC1HJ-104Z	M CAPACITOR	0.1uF 50V J	
C4605	QFLC1HJ-104Z	M CAPACITOR	0.1uF 50V J	
C4702	QCSB1HK-4R7Y	C CAPACITOR	4.7pF 50V K	
C4703	QETN1JM-476Z	E CAPACITOR	47uF 63V M	
C4704	QFLC1HJ-104Z	M CAPACITOR	0.1uF 50V J	
C4705	QFLC1HJ-104Z	M CAPACITOR	0.1uF 50V J	
C4801	QCBB1HK-221Y	C CAPACITOR	220pF 50V K	
C4802	QTE1V06-106Z	E CAPACITOR	10uF 35V	
C4803	QCBB1HK-101Y	C CAPACITOR	100pF 50V K	
C4811	QCBB1HK-221Y	C CAPACITOR	220pF 50V K	
C4812	QTE1V06-106Z	E CAPACITOR	10uF 35V	
C4813	QCBB1HK-101Y	C CAPACITOR	100pF 50V K	
C4901	QETN1HM-106Z	E CAPACITOR	10uF 50V M	

△ Symbol No.	Part No.	Part Name	Description	Local	△ Symbol No.	Part No.	Part Name	Description	Local
C4902	QETN1CM-476Z	E CAPACITOR	47uF 16V M		△ R4005	QRJ146J-100X	UNF C RESISTOR	10Ω 1/4W J	
C4903	QETN1HM-106Z	E CAPACITOR	10uF 50V M		R4006	QRE141J-333Y	C RESISTOR	33kΩ 1/4W J	
C5000	QETN1HM-226Z	E CAPACITOR	22uF 50V M		△ R4101	QRZ0224-R22	EMIT RESISTOR	0.22Ω	
C5001	QETN1HM-226Z	E CAPACITOR	22uF 50V M		R4102	QRE141J-563Y	C RESISTOR	56kΩ 1/4W J	
C5002	QDGB1HK-102Y	C CAPACITOR	1000pF 50V K		△ R4103	QRJ146J-100X	UNF C RESISTOR	10Ω 1/4W J	
C5003	QEKC1EM-106Z	E CAPACITOR	10uF 25V M		R4104	QRJ146J-100X	UNF C RESISTOR	10Ω 1/4W J	
C5004	QCBB1HK-104Y	C CAPACITOR	0.1uF 50V K		R4105	QRE141J-102Y	C RESISTOR	1kΩ 1/4W J	
C5005	QCBB1HK-101Y	C CAPACITOR	100pF 50V K		R4106	QRE141J-202Y	C RESISTOR	2kΩ 1/4W J	
C5006	QEKC1AM-107Z	E CAPACITOR	100uF 10V M		R4107	QRE141J-473Y	C RESISTOR	47kΩ 1/4W J	
C5007	QCBB1HK-104Y	C CAPACITOR	0.1uF 50V K		R4108	QRE141J-562Y	C RESISTOR	5.6kΩ 1/4W J	
					R4109	QRJ146J-681X	UNF C RESISTOR	680Ω 1/4W J	
R3101	QRE141J-222Y	C RESISTOR	2.2kΩ 1/4W J		R4110	QRE141J-104Y	C RESISTOR	100kΩ 1/4W J	
R3102	QRE141J-104Y	C RESISTOR	100kΩ 1/4W J		R4111	QRE141J-202Y	C RESISTOR	2kΩ 1/4W J	
R3103	QRE141J-103Y	C RESISTOR	10kΩ 1/4W J		△ R4201	QRZ0224-R22	EMIT RESISTOR	0.22Ω	
R3104	QRE141J-103Y	C RESISTOR	10kΩ 1/4W J		R4202	QRE141J-563Y	C RESISTOR	56kΩ 1/4W J	
△ R3105	QRJ146J-470X	UNF C RESISTOR	47Ω 1/4W J		△ R4203	QRJ146J-100X	UNF C RESISTOR	10Ω 1/4W J	
R3106	QRE141J-103Y	C RESISTOR	10kΩ 1/4W J		R4204	QRJ146J-100X	UNF C RESISTOR	10Ω 1/4W J	
R3107	QRE141J-103Y	C RESISTOR	10kΩ 1/4W J		R4205	QRE141J-102Y	C RESISTOR	1kΩ 1/4W J	
△ R3108	QRJ146J-470X	UNF C RESISTOR	47Ω 1/4W J		R4206	QRE141J-202Y	C RESISTOR	2kΩ 1/4W J	
R3201	QRE141J-102Y	C RESISTOR	1kΩ 1/4W J		R4207	QRE141J-473Y	C RESISTOR	47kΩ 1/4W J	
R3202	QRE141J-102Y	C RESISTOR	1kΩ 1/4W J		R4208	QRE141J-562Y	C RESISTOR	5.6kΩ 1/4W J	
R3203	QRE141J-102Y	C RESISTOR	1kΩ 1/4W J		R4209	QRJ146J-681X	UNF C RESISTOR	680Ω 1/4W J	
R3204	QRE141J-563Y	C RESISTOR	56kΩ 1/4W J		R4210	QRE141J-104Y	C RESISTOR	100kΩ 1/4W J	
R3205	QRE141J-563Y	C RESISTOR	56kΩ 1/4W J		R4211	QRE141J-202Y	C RESISTOR	2kΩ 1/4W J	
R3206	QRE141J-563Y	C RESISTOR	56kΩ 1/4W J		R4302	QRE141J-563Y	C RESISTOR	56kΩ 1/4W J	
R3301	QRE141J-682Y	C RESISTOR	6.8kΩ 1/4W J		R4311	QRE141J-102Y	C RESISTOR	1kΩ 1/4W J	
R3302	QRE141J-682Y	C RESISTOR	6.8kΩ 1/4W J		R4312	QRE141J-563Y	C RESISTOR	56kΩ 1/4W J	
R3303	QRE141J-682Y	C RESISTOR	6.8kΩ 1/4W J		R4401	QRE141J-222Y	C RESISTOR	2.2kΩ 1/4W J	
R3304	QRE141J-682Y	C RESISTOR	6.8kΩ 1/4W J		R4402	QRE141J-104Y	C RESISTOR	100kΩ 1/4W J	
△ R3305	QRJ146J-100X	UNF C RESISTOR	10Ω 1/4W J		R4403	QRE141J-103Y	C RESISTOR	10kΩ 1/4W J	
R3306	QRE141J-333Y	C RESISTOR	33kΩ 1/4W J		R4404	QRE141J-103Y	C RESISTOR	10kΩ 1/4W J	
△ R3401	QRZ0224-R22	EMIT RESISTOR	0.22Ω		△ R4405	QRJ146J-470X	UNF C RESISTOR	47Ω 1/4W J	
R3402	QRE141J-563Y	C RESISTOR	56kΩ 1/4W J		R4406	QRE141J-103Y	C RESISTOR	10kΩ 1/4W J	
△ R3403	QRJ146J-100X	UNF C RESISTOR	10Ω 1/4W J		R4407	QRE141J-103Y	C RESISTOR	10kΩ 1/4W J	
R3404	QRJ146J-100X	UNF C RESISTOR	10Ω 1/4W J		△ R4408	QRJ146J-470X	UNF C RESISTOR	47Ω 1/4W J	
R3405	QRE141J-102Y	C RESISTOR	1kΩ 1/4W J		R4501	QRE141J-682Y	C RESISTOR	6.8kΩ 1/4W J	
R3406	QRE141J-202Y	C RESISTOR	2kΩ 1/4W J		R4502	QRE141J-682Y	C RESISTOR	6.8kΩ 1/4W J	
R3407	QRE141J-473Y	C RESISTOR	47kΩ 1/4W J		R4503	QRE141J-682Y	C RESISTOR	6.8kΩ 1/4W J	
R3408	QRE141J-562Y	C RESISTOR	5.6kΩ 1/4W J		R4504	QRE141J-682Y	C RESISTOR	6.8kΩ 1/4W J	
△ R3409	QRJ146J-681X	UNF C RESISTOR	680Ω 1/4W J		△ R4505	QRJ146J-100X	UNF C RESISTOR	10Ω 1/4W J	
R3410	QRE141J-104Y	C RESISTOR	100kΩ 1/4W J		R4506	QRE141J-333Y	C RESISTOR	33kΩ 1/4W J	
R3411	QRE141J-202Y	C RESISTOR	2kΩ 1/4W J		△ R4601	QRZ0224-R22	EMIT RESISTOR	0.22Ω	
△ R3501	QRZ0224-R22	EMIT RESISTOR	0.22Ω		R4602	QRE141J-563Y	C RESISTOR	56kΩ 1/4W J	
R3502	QRE141J-563Y	C RESISTOR	56kΩ 1/4W J		△ R4603	QRJ146J-100X	UNF C RESISTOR	10Ω 1/4W J	
△ R3503	QRJ146J-100X	UNF C RESISTOR	10Ω 1/4W J		R4604	QRJ146J-100X	UNF C RESISTOR	10Ω 1/4W J	
△ R3504	QRJ146J-100X	UNF C RESISTOR	10Ω 1/4W J		R4605	QRE141J-102Y	C RESISTOR	1kΩ 1/4W J	
R3505	QRE141J-102Y	C RESISTOR	1kΩ 1/4W J		R4606	QRE141J-202Y	C RESISTOR	2kΩ 1/4W J	
R3506	QRE141J-202Y	C RESISTOR	2kΩ 1/4W J		R4607	QRE141J-473Y	C RESISTOR	47kΩ 1/4W J	
R3507	QRE141J-473Y	C RESISTOR	47kΩ 1/4W J		R4608	QRE141J-562Y	C RESISTOR	5.6kΩ 1/4W J	
R3508	QRE141J-562Y	C RESISTOR	5.6kΩ 1/4W J		△ R4609	QRJ146J-681X	UNF C RESISTOR	680Ω 1/4W J	
△ R3509	QRJ146J-681X	UNF C RESISTOR	680Ω 1/4W J		R4610	QRE141J-104Y	C RESISTOR	100kΩ 1/4W J	
R3510	QRE141J-104Y	C RESISTOR	100kΩ 1/4W J		R4611	QRE141J-202Y	C RESISTOR	2kΩ 1/4W J	
R3511	QRE141J-202Y	C RESISTOR	2kΩ 1/4W J		△ R4701	QRZ0224-R22	EMIT RESISTOR	0.22Ω	
△ R3601	QRZ0224-R22	EMIT RESISTOR	0.22Ω		R4702	QRE141J-563Y	C RESISTOR	56kΩ 1/4W J	
R3602	QRE141J-563Y	C RESISTOR	56kΩ 1/4W J		△ R4703	QRJ146J-100X	UNF C RESISTOR	10Ω 1/4W J	
△ R3603	QRJ146J-100X	UNF C RESISTOR	10Ω 1/4W J		△ R4704	QRJ146J-100X	UNF C RESISTOR	10Ω 1/4W J	
R3604	QRJ146J-100X	UNF C RESISTOR	10Ω 1/4W J		R4705	QRE141J-102Y	C RESISTOR	1kΩ 1/4W J	
R3605	QRE141J-102Y	C RESISTOR	1kΩ 1/4W J		R4706	QRE141J-202Y	C RESISTOR	2kΩ 1/4W J	
R3606	QRE141J-202Y	C RESISTOR	2kΩ 1/4W J		R4707	QRE141J-473Y	C RESISTOR	47kΩ 1/4W J	
R3607	QRE141J-473Y	C RESISTOR	47kΩ 1/4W J		R4708	QRE141J-562Y	C RESISTOR	5.6kΩ 1/4W J	
R3608	QRE141J-562Y	C RESISTOR	5.6kΩ 1/4W J		△ R4709	QRJ146J-681X	UNF C RESISTOR	680Ω 1/4W J	
△ R3609	QRJ146J-681X	UNF C RESISTOR	680Ω 1/4W J		R4710	QRE141J-104Y	C RESISTOR	100kΩ 1/4W J	
R3610	QRE141J-104Y	C RESISTOR	100kΩ 1/4W J		R4711	QRE141J-202Y	C RESISTOR	2kΩ 1/4W J	
R3611	QRE141J-202Y	C RESISTOR	2kΩ 1/4W J		R4801	QRE141J-102Y	C RESISTOR	1kΩ 1/4W J	
R3701	QRE141J-103Y	C RESISTOR	10kΩ 1/4W J		R4802	QRE141J-563Y	C RESISTOR	56kΩ 1/4W J	
R3831	QRE141J-102Y	C RESISTOR	1kΩ 1/4W J		R4811	QRE141J-102Y	C RESISTOR	1kΩ 1/4W J	
△ R3901	QRJ146J-4R7X	UNF C RESISTOR	4.7Ω 1/4W J		R4812	QRE141J-563Y	C RESISTOR	56kΩ 1/4W J	
R3902	QRE141J-242Y	C RESISTOR	2.4kΩ 1/4W J		R4901	QRE141J-103Y	C RESISTOR	10kΩ 1/4W J	
R3903	QRE141J-470Y	C RESISTOR	47Ω 1/4W J		R4902	QRE141J-104Y	C RESISTOR	100kΩ 1/4W J	
R3904	QRE141J-221Y	C RESISTOR	220Ω 1/4W J		R4903	QRE141J-103Y	C RESISTOR	10kΩ 1/4W J	
R3905	QRE141J-242Y	C RESISTOR	2.4kΩ 1/4W J		R4904	QRE141J-104Y	C RESISTOR	100kΩ 1/4W J	
R3906	QRE141J-103Y	C RESISTOR	10kΩ 1/4W J		R4905	QRE141J-103Y	C RESISTOR	10kΩ 1/4W J	
R3907	QRE141J-102Y	C RESISTOR	1kΩ 1/4W J		R4906	QRE141J-104Y	C RESISTOR	100kΩ 1/4W J	
R3908	QRE141J-103Y	C RESISTOR	10kΩ 1/4W J		R5000	QRE141J-102Y	C RESISTOR	1kΩ 1/4W J	
R4001	QRE141J-682Y	C RESISTOR	6.8kΩ 1/4W J		R5001	QRE141J-102Y	C RESISTOR	1kΩ 1/4W J	
R4002	QRE141J-682Y	C RESISTOR	6.8kΩ 1/4W J		R5002	QRE141J-122Y	C RESISTOR	1.2kΩ 1/4W J	
R4003	QRE141J-682Y	C RESISTOR	6.8kΩ 1/4W J		R5003	QRE141J-152Y	C RESISTOR	1.5kΩ 1/4W J	
R4004	QRE141J-682Y	C RESISTOR	6.8kΩ 1/4W J		R5004	QRE141J-222Y	C RESISTOR	2.2kΩ 1/4W J	

△ Symbol No.	Part No.	Part Name	Description	Local
R5005	QRE141J-272Y	C RESISTOR	2.7kΩ 1/4W J	
R5006	QRE141J-392Y	C RESISTOR	3.9kΩ 1/4W J	
R5007	QRE141J-562Y	C RESISTOR	5.6kΩ 1/4W J	
R5008	QRE141J-103Y	C RESISTOR	10kΩ 1/4W J	
R5009	QRE141J-102Y	C RESISTOR	1kΩ 1/4W J	
R5010	QRE141J-102Y	C RESISTOR	1kΩ 1/4W J	
R5011	QRE141J-122Y	C RESISTOR	1.2kΩ 1/4W J	
R5012	QRE141J-152Y	C RESISTOR	1.5kΩ 1/4W J	
R5013	QRE141J-222Y	C RESISTOR	2.2kΩ 1/4W J	
R5014	QRE141J-272Y	C RESISTOR	2.7kΩ 1/4W J	
R5015	QRE141J-392Y	C RESISTOR	3.9kΩ 1/4W J	
R5016	QRE141J-102Y	C RESISTOR	1kΩ 1/4W J	
R5017	QRE141J-102Y	C RESISTOR	1kΩ 1/4W J	
R5018	QRE141J-122Y	C RESISTOR	1.2kΩ 1/4W J	
R5019	QRE141J-152Y	C RESISTOR	1.5kΩ 1/4W J	
R5020	QRE141J-222Y	C RESISTOR	2.2kΩ 1/4W J	
R5021	QRE141J-272Y	C RESISTOR	2.7kΩ 1/4W J	
R5022	QRE141J-392Y	C RESISTOR	3.9kΩ 1/4W J	
R5023	QRE141J-562Y	C RESISTOR	5.6kΩ 1/4W J	
R5024	QRE141J-102Y	C RESISTOR	1kΩ 1/4W J	
R5025	QRE141J-102Y	C RESISTOR	1kΩ 1/4W J	
R5026	QRE141J-122Y	C RESISTOR	1.2kΩ 1/4W J	
R5027	QRE141J-152Y	C RESISTOR	1.5kΩ 1/4W J	
R5028	QRE141J-222Y	C RESISTOR	2.2kΩ 1/4W J	
R5029	QRE141J-272Y	C RESISTOR	2.7kΩ 1/4W J	
R5030	QRE141J-392Y	C RESISTOR	3.9kΩ 1/4W J	
R5035	QRE141J-161Y	C RESISTOR	160Ω 1/4W J	
R5036	QRE141J-161Y	C RESISTOR	160Ω 1/4W J	
R5037	QRE141J-560Y	C RESISTOR	56Ω 1/4W J	
R5038	QRE141J-102Y	C RESISTOR	1kΩ 1/4W J	
R5039	QRE141J-102Y	C RESISTOR	1kΩ 1/4W J	
R5040	QRE141J-102Y	C RESISTOR	1kΩ 1/4W J	
R5041	QRE141J-102Y	C RESISTOR	1kΩ 1/4W J	
R5042	QRE141J-103Y	C RESISTOR	10kΩ 1/4W J	
R5043	QRE141J-271Y	C RESISTOR	270Ω 1/4W J	
R5044	QRE141J-821Y	C RESISTOR	820Ω 1/4W J	
R5045	QRE141J-104Y	C RESISTOR	100kΩ 1/4W J	
R5046	QRE141J-104Y	C RESISTOR	100kΩ 1/4W J	
L3401	QQLZ035-R39	COIL	0.39uH	
L3501	QQLZ035-R39	COIL	0.39uH	
L3601	QQLZ035-R39	COIL	0.39uH	
L4101	QQLZ035-R39	COIL	0.39uH	
L4201	QQLZ035-R39	COIL	0.39uH	
L4601	QQLZ035-R39	COIL	0.39uH	
L4701	QQLZ035-R39	COIL	0.39uH	
CN301	QGB2510K2-20	CONNECTOR	B-B (1-20)	
CN302	QGF1205C1-19	CONNECTOR	FFC/FPC (1-19)	
CN303	QGF1205F1-11	CONNECTOR	FFC/FPC (1-11)	
CN304	QGA2501F1-03	CONNECTOR	W-B (1-3)	
CN401	QGB2510K2-16	CONNECTOR	B-B (1-16)	
CN402	QGF1205C1-08	CONNECTOR	FFC/FPC (1-8)	
CN500	QGF1036F1-19	CONNECTOR	FFC/FPC (1-19)	
CN990	QGB2510J1-06	CONNECTOR	B-B (1-6)	
FL500	QLF0150-001	FL TUBE		
FW401	QUM154-10Z4Z4-E	FLAT WIRE		
FW500	QUM153-18DGZ4-E	FLAT WIRE		
J990	QNB0263-001	SPK TERMINAL		
S5000	QSW1121-001Z	PUSH SW I.M		
S5001	QSW1121-001Z	PUSH SW I.M		
S5002	QSW1121-001Z	PUSH SW I.M		
S5003	QSW1121-001Z	PUSH SW I.M		
S5004	QSW1121-001Z	PUSH SW I.M		
S5005	QSW1121-001Z	PUSH SW I.M		
S5006	QSW1121-001Z	PUSH SW I.M		
S5007	QSW1121-001Z	PUSH SW I.M		
S5008	QSW1121-001Z	PUSH SW I.M		
S5009	QSW1121-001Z	PUSH SW I.M		
S5010	QSW1121-001Z	PUSH SW I.M		
S5011	QSW1121-001Z	PUSH SW I.M		
S5012	QSW1121-001Z	PUSH SW I.M		
S5013	QSW1121-001Z	PUSH SW I.M		
S5014	QSW1121-001Z	PUSH SW I.M		
S5015	QSW1121-001Z	PUSH SW I.M		
S5016	QSW1121-001Z	PUSH SW I.M		
S5017	QSW1121-001Z	PUSH SW I.M		
S5018	QSW1121-001Z	PUSH SW I.M		

△ Symbol No.	Part No.	Part Name	Description	Local
S5019	QSW1121-001Z	PUSH SW I.M		
S5020	QSW1121-001Z	PUSH SW I.M		
S5021	QSW1121-001Z	PUSH SW I.M		
S5022	QSW1121-001Z	PUSH SW I.M		
S5023	QSW1121-001Z	PUSH SW I.M		
S5024	QSW1121-001Z	PUSH SW I.M		
S5025	QSW1121-001Z	PUSH SW I.M		
S5026	QSW1121-001Z	PUSH SW I.M		
S5027	QSW1121-001Z	PUSH SW I.M		
S5028	QSW1121-001Z	PUSH SW I.M		
S5029	QSW1121-001Z	PUSH SW I.M		
S5030	QSW1121-001Z	PUSH SW I.M		
S5031	QSW1121-001Z	PUSH SW I.M		
S5032	QSW1121-001Z	PUSH SW I.M		
S5033	QSW1121-001Z	PUSH SW I.M		
S5034	QSW1121-001Z	PUSH SW I.M		
SP500	GV40205-004A	IC HOLDER		

## Main board (DX-T9)

Block No. [0][2]

△ Symbol No.	Part No.	Part Name	Description	Local
IC760	SN74AHCT08NS-X	IC		
IC770	MN101C49GFS1	MASK ROM		
IC771	BR24L02F-W-X	IC		
IC800	RC4558D-X	IC		
IC801	RC4558D-X	IC		
IC810	CD4066BM-X	IC		
IC820	LC75342M-X	IC		
IC830	RC4558D-X	IC		
IC850	M65851FP	IC		
IC860	JCV8011-X	IC		
IC870	LC75341M-X	IC		
IC880	LC75341M-X	IC		
IC881	RC4558D-X	IC		
IC901	RC4580ID-X	IC		
Q7000	KTC3199/GL-T	TRANSISTOR		
Q7010	KTC3199/GL-T	TRANSISTOR		
Q7080	KRC107S-X	DIGI TRANSISTOR		
Q7081	KRC111S-X	TRANSISTOR		
Q7788	KRA102S-X	DIGI TRANSISTOR		
Q7794	KRA102S-X	DIGI TRANSISTOR		
Q7798	KRA102S-X	DIGI TRANSISTOR		
Q8000	2SD2114K/VW/-X	TRANSISTOR		
Q8030	KTC3875/YG/-X	SI TRANSISTOR		
Q8031	KTC3875/YG/-X	SI TRANSISTOR		
Q8032	KTC3875/YG/-X	SI TRANSISTOR		
Q8040	2SD2114K/VW/-X	TRANSISTOR		
Q8070	2SD2114K/VW/-X	TRANSISTOR		
Q8071	2SD2114K/VW/-X	TRANSISTOR		
Q8080	2SD2114K/VW/-X	TRANSISTOR		
Q8081	2SD2114K/VW/-X	TRANSISTOR		
Q8100	2SD2114K/VW/-X	TRANSISTOR		
Q8130	KTC3875/YG/-X	SI TRANSISTOR		
Q8131	KTC3875/YG/-X	SI TRANSISTOR		
Q8132	KTC3875/YG/-X	SI TRANSISTOR		
Q8140	2SD2114K/VW/-X	TRANSISTOR		
Q8170	2SD2114K/VW/-X	TRANSISTOR		
Q8171	2SD2114K/VW/-X	TRANSISTOR		
Q8180	2SD2114K/VW/-X	TRANSISTOR		
Q8211	KRC104S-X	TRANSISTOR		
Q8212	KRC104S-X	TRANSISTOR		
Q8260	KTC3199/GL/-T	TRANSISTOR		
Q8524	KTC1027/OY/-T	TRANSISTOR		
Q8900	KRA104S-X	DIGI TRANSISTOR		
Q9001	2SD2114K/VW/-X	TRANSISTOR		
Q9002	2SD2114K/VW/-X	TRANSISTOR		
Q9003	KRC111S-X	TRANSISTOR		
Q9004	KTA1504/YG/-X	SI TRANSISTOR		
Q9100	KRA111S-X	D. TRANSISTOR		
Q9101	2SD2114K/VW/-X	TRANSISTOR		
Q9102	2SD2114K/VW/-X	TRANSISTOR		



△ Symbol No.	Part No.	Part Name	Description	Local	△ Symbol No.	Part No.	Part Name	Description	Local
Q9103	2SD2114K/VW/-X	TRANSISTOR			C8122	QETN1HM-475Z	E CAPACITOR	4.7uF 50V M	
Q9104	2SD2114K/VW/-X	TRANSISTOR			C8123	QETN1HM-475Z	E CAPACITOR	4.7uF 50V M	
D7000	1SS133-T2	SI DIODE			C8125	QTE1H28-106Z	E CAPACITOR	10uF 50V	
D7001	1SS133-T2	SI DIODE			C8126	QFLC1HJ-562Z	M CAPACITOR	5600pF 50V J	
D7011	1SS133-T2	SI DIODE			C8127	QFLC1HJ-104Z	M CAPACITOR	0.1uF 50V J	
D7012	1SS133-T2	SI DIODE			C8128	QFLC1HJ-104Z	M CAPACITOR	0.1uF 50V J	
D7050	MTZJ5.1B-T2	Z DIODE			C8130	QVVF1HJ-224Z	MF CAPACITOR	0.22uF 50V J	
D7080	1SS133-T2	SI DIODE			C8131	QFLC1HJ-104Z	M CAPACITOR	0.1uF 50V J	
D7081	MTZJ4.7B-T2	Z DIODE			C8132	QTE1C06-226Z	E CAPACITOR	22uF 16V	
D7082	1SS133-T2	SI DIODE			C8160	QTE1V06-106Z	E CAPACITOR	10uF 35V	
D7151	1SS133-T2	SI DIODE			C8161	QTE1V06-106Z	E CAPACITOR	10uF 35V	
D7152	1SS133-T2	SI DIODE			C8162	QTE1V06-106Z	E CAPACITOR	10uF 35V	
D7153	1SS133-T2	SI DIODE			C8170	QETN1HM-106Z	E CAPACITOR	10uF 50V M	
D7154	1SS133-T2	SI DIODE			C8172	QETN1HM-106Z	E CAPACITOR	10uF 50V M	
D7155	1SS133-T2	SI DIODE			C8173	QETN1HM-104Z	E CAPACITOR	0.1uF 50V M	
D7156	1SS133-T2	SI DIODE			C8174	QETN1HM-105Z	E CAPACITOR	1uF 50V M	
D7157	1SS133-T2	SI DIODE			C8176	QETN1HM-104Z	E CAPACITOR	0.1uF 50V M	
D7330	1N4003S-T5	SI DIODE			C8180	QFLC1HJ-123Z	M CAPACITOR	0.012uF 50V J	
D7350	1N4003S-T5	SI DIODE			C8181	QFLC1HJ-104Z	M CAPACITOR	0.1uF 50V J	
D7390	1SS133-T2	SI DIODE			C8183	QETN1HM-224Z	E CAPACITOR	0.22uF 50V M	
D7711	1SS133-T2	SI DIODE			C8184	QETN1HM-106Z	E CAPACITOR	10uF 50V M	
D7713	1N4003S-T5	SI DIODE			C8185	QTE1V06-106Z	E CAPACITOR	10uF 35V	
D8230	1SS133-T2	SI DIODE			C8192	NRSA63J-822X	MG RESISTOR	8.2kΩ 1/16W J	
D8524	MTZJ5.6B-T2	Z DIODE			C8202	QETN1HM-106Z	E CAPACITOR	10uF 50V M	
D8900	1SS133-T2	SI DIODE			C8203	QFLC1HJ-223Z	M CAPACITOR	0.022uF 50V J	
D8901	1SS133-T2	SI DIODE			C8204	QFLC1HJ-223Z	M CAPACITOR	0.022uF 50V J	
D9001	1SS133-T2	SI DIODE			C8221	QCBB1HK-103Y	C CAPACITOR	0.01uF 50V K	
D9002	1SS133-T2	SI DIODE			C8222	QTE1C06-107Z	E CAPACITOR	100uF 16V	
D9100	MTZJ2.4B-T2	Z DIODE			C8230	QETN1EM-476Z	E CAPACITOR	47uF 25V M	
C7050	QETN1HM-475Z	E CAPACITOR	4.7uF 50V M		C8232	QETN1HM-105Z	E CAPACITOR	1uF 50V M	
C7080	NCB31HK-102X	C CAPACITOR	1000pF 50V K		C8233	QFLC1HJ-683Z	M CAPACITOR	0.068uF 50V J	
C7082	QETN1HM-475Z	E CAPACITOR	4.7uF 50V M		C8261	QETN1EM-476Z	E CAPACITOR	47uF 25V M	
C7083	NCB31HK-103X	C CAPACITOR	0.01uF 50V K		C8262	QFLC1HJ-223Z	M CAPACITOR	0.022uF 50V J	
C7084	QETN0JM-227Z	E CAPACITOR	220uF 6.3V M		C8263	QETN1HM-225Z	E CAPACITOR	2.2uF 50V M	
C7085	QETN0JM-108Z	E CAPACITOR	1000uF 6.3V M		C8264	QETN1HM-106Z	E CAPACITOR	10uF 50V M	
C7710	QCBB1HK-103Y	C CAPACITOR	0.01uF 50V K		C8265	QETN1HM-106Z	E CAPACITOR	10uF 50V M	
C7711	QETN1CM-107Z	E CAPACITOR	100uF 16V M		C8266	QETN1HM-475Z	E CAPACITOR	4.7uF 50V M	
C7712	NCS31HJ-180X	C CAPACITOR	18pF 50V J		C8267	QETN1EM-336Z	E CAPACITOR	33uF 25V M	
C7713	NCS31HJ-180X	C CAPACITOR	18pF 50V J		C8268	QETN1HM-224Z	E CAPACITOR	0.22uF 50V M	
C7788	QETN1HM-106Z	E CAPACITOR	10uF 50V M		C8269	QETN1HM-105Z	E CAPACITOR	1uF 50V M	
C7794	QETN1EM-476Z	E CAPACITOR	47uF 25V M		C8272	QETN1CM-107Z	E CAPACITOR	100uF 16V M	
C7798	QETN1AM-227Z	E CAPACITOR	220uF 10V M		C8282	QETN1CM-107Z	E CAPACITOR	100uF 16V M	
C8000	QTE1V06-106Z	E CAPACITOR	10uF 35V		C8360	QETN1HM-475Z	E CAPACITOR	4.7uF 50V M	
C8001	QTE1V06-106Z	E CAPACITOR	10uF 35V		C8361	QETN1HM-475Z	E CAPACITOR	4.7uF 50V M	
C8002	QTE1V06-106Z	E CAPACITOR	10uF 35V		C8362	QETN1HM-474Z	E CAPACITOR	0.47uF 50V M	
C8003	NCS31HJ-151X	C CAPACITOR	150pF 50V J		C8363	QETN1EM-476Z	E CAPACITOR	47uF 25V M	
C8020	QETN1HM-475Z	E CAPACITOR	4.7uF 50V M		C8501	QFLC1HJ-152Z	M CAPACITOR	1500pF 50V J	
C8021	QETN1HM-475Z	E CAPACITOR	4.7uF 50V M		C8503	QFLC1HJ-154Z	M CAPACITOR	0.15uF 50V J	
C8022	QETN1HM-475Z	E CAPACITOR	4.7uF 50V M		C8504	QFLC1HJ-152Z	M CAPACITOR	1500pF 50V J	
C8023	QETN1HM-475Z	E CAPACITOR	4.7uF 50V M		C8506	QETN1HM-225Z	E CAPACITOR	2.2uF 50V M	
C8025	QTE1H28-106Z	E CAPACITOR	10uF 50V		C8508	QFLC1HJ-102Z	M CAPACITOR	1000pF 50V J	
C8026	QFLC1HJ-562Z	M CAPACITOR	5600pF 50V J		C8509	QFLC1HJ-332Z	M CAPACITOR	3300pF 50V J	
C8027	QFLC1HJ-104Z	M CAPACITOR	0.1uF 50V J		C8512	QETN1HM-225Z	E CAPACITOR	2.2uF 50V M	
C8028	QFLC1HJ-104Z	M CAPACITOR	0.1uF 50V J		C8513	QETN1HM-105Z	E CAPACITOR	1uF 50V M	
C8030	QVVF1HJ-224Z	MF CAPACITOR	0.22uF 50V J		C8514	QFLC1HJ-102Z	M CAPACITOR	1000pF 50V J	
C8031	QFLC1HJ-104Z	M CAPACITOR	0.1uF 50V J		C8515	QFLC1HJ-472Z	M CAPACITOR	4700pF 50V J	
C8032	QTE1C06-226Z	E CAPACITOR	22uF 16V		C8516	QFLC1HJ-683Z	M CAPACITOR	0.068uF 50V J	
C8060	QTE1V06-106Z	E CAPACITOR	10uF 35V		C8517	QFLC1HJ-104Z	M CAPACITOR	0.1uF 50V J	
C8061	QTE1V06-106Z	E CAPACITOR	10uF 35V		C8518	QFLC1HJ-104Z	M CAPACITOR	0.1uF 50V J	
C8062	QTE1V06-106Z	E CAPACITOR	10uF 35V		C8520	QFLC1HJ-683Z	M CAPACITOR	0.068uF 50V J	
C8070	QETN1HM-106Z	E CAPACITOR	10uF 50V M		C8522	QETN1EM-476Z	E CAPACITOR	47uF 25V M	
C8072	QETN1HM-106Z	E CAPACITOR	10uF 50V M		C8523	QFLC1HJ-104Z	M CAPACITOR	0.1uF 50V J	
C8074	QETN1HM-105Z	E CAPACITOR	1uF 50V M		C8524	QETN1CM-107Z	E CAPACITOR	100uF 16V M	
C8076	QETN1HM-104Z	E CAPACITOR	0.1uF 50V M		C8525	QETN1CM-107Z	E CAPACITOR	100uF 16V M	
C8080	QETN1HM-106Z	E CAPACITOR	10uF 50V M		C8530	QFLC1HJ-104Z	M CAPACITOR	0.1uF 50V J	
C8082	QETN1HM-104Z	E CAPACITOR	0.1uF 50V M		C8539	QETN1HM-104Z	E CAPACITOR	0.1uF 50V M	
C8083	QETN1HM-104Z	E CAPACITOR	0.1uF 50V M		C8540	QFLC1HJ-102Z	M CAPACITOR	1000pF 50V J	
C8084	QETN1HM-105Z	E CAPACITOR	1uF 50V M		C8541	QFLC1HJ-472Z	M CAPACITOR	4700pF 50V J	
C8086	QETN1HM-104Z	E CAPACITOR	0.1uF 50V M		C8542	QFLC1HJ-683Z	M CAPACITOR	0.068uF 50V J	
C8092	NRSA63J-822X	MG RESISTOR	8.2kΩ 1/16W J		C8544	QFLC1HJ-104Z	M CAPACITOR	0.1uF 50V J	
C8100	QTE1V06-106Z	E CAPACITOR	10uF 35V		C8545	QFLC1HJ-104Z	M CAPACITOR	0.1uF 50V J	
C8101	QTE1V06-106Z	E CAPACITOR	10uF 35V		C8546	QFLC1HJ-683Z	M CAPACITOR	0.068uF 50V J	
C8102	QTE1V06-106Z	E CAPACITOR	10uF 35V		C8548	QFLC1HJ-102Z	M CAPACITOR	1000pF 50V J	
C8103	NCS31HJ-151X	C CAPACITOR	150pF 50V J		C8550	QFLC1HJ-472Z	M CAPACITOR	4700pF 50V J	
C8120	QETN1HM-475Z	E CAPACITOR	4.7uF 50V M		C8551	QETN1HM-105Z	E CAPACITOR	1uF 50V M	
C8121	QETN1HM-475Z	E CAPACITOR	4.7uF 50V M		C8553	QETN1HM-106Z	E CAPACITOR	10uF 50V M	
					C8554	QFLC1HJ-104Z	M CAPACITOR	0.1uF 50V J	
					C8555	QETN1CM-107Z	E CAPACITOR	100uF 16V M	

△ Symbol No.	Part No.	Part Name	Description	Local	△ Symbol No.	Part No.	Part Name	Description	Local
C8572	QFLC1HJ-223Z	M CAPACITOR	0.022uF 50V J		R7719	QRE141J-102Y	C RESISTOR	1kΩ 1/4W J	
C8574	QTE1V06-106Z	E CAPACITOR	10uF 35V		R7720	QRE141J-102Y	C RESISTOR	1kΩ 1/4W J	
C8575	QTE1V06-106Z	E CAPACITOR	10uF 35V		R7721	NRSA63J-122X	MG RESISTOR	1.2kΩ 1/16W J	
C8576	QFLC1HJ-154Z	M CAPACITOR	0.15uF 50V J		R7722	NRSA63J-122X	MG RESISTOR	1.2kΩ 1/16W J	
C8577	QETN1HM-104Z	E CAPACITOR	0.1uF 50V M		R7723	NRSA63J-122X	MG RESISTOR	1.2kΩ 1/16W J	
C8578	QETN1HM-105Z	E CAPACITOR	1uF 50V M		R7724	NRSA63J-122X	MG RESISTOR	1.2kΩ 1/16W J	
C8579	QETN1HM-105Z	E CAPACITOR	1uF 50V M		R7725	NRSA63J-122X	MG RESISTOR	1.2kΩ 1/16W J	
C8580	QFLC1HJ-154Z	M CAPACITOR	0.15uF 50V J		R7726	NRSA63J-101X	MG RESISTOR	100Ω 1/16W J	
C8900	QETN1HM-105Z	E CAPACITOR	1uF 50V M		R7728	NRSA63J-222X	MG RESISTOR	2.2kΩ 1/16W J	
C8902	QETN1HM-106Z	E CAPACITOR	10uF 50V M		R7731	NRSA63J-222X	MG RESISTOR	2.2kΩ 1/16W J	
C8903	QETN1HM-106Z	E CAPACITOR	10uF 50V M		R7732	NRSA63J-103X	MG RESISTOR	10kΩ 1/16W J	
C9000	NCB21HK-473X	C CAPACITOR	0.047uF 50V K		R7735	NRSA63J-102X	MG RESISTOR	1kΩ 1/16W J	
C9001	QETN1HM-104Z	E CAPACITOR	0.1uF 50V M		R7737	NRSA63J-102X	MG RESISTOR	1kΩ 1/16W J	
C9002	NCS31HJ-681X	C CAPACITOR	680pF 50V J		R7738	NRSA63J-102X	MG RESISTOR	1kΩ 1/16W J	
C9003	QEKC1HM-105Z	E CAPACITOR	1uF 50V M		R7739	NRSA63J-102X	MG RESISTOR	1kΩ 1/16W J	
C9004	QEKC1HM-104Z	E CAPACITOR	0.1uF 50V M		R7740	NRSA63J-102X	MG RESISTOR	1kΩ 1/16W J	
C9005	QEKC1HM-335Z	E CAPACITOR	3.3uF 50V M		R7742	NRSA63J-102X	MG RESISTOR	1kΩ 1/16W J	
C9006	QETN1EM-336Z	E CAPACITOR	33uF 25V M		R7743	NRSA63J-102X	MG RESISTOR	1kΩ 1/16W J	
C9007	QEKC1HM-104Z	E CAPACITOR	0.1uF 50V M		R7744	NRSA63J-102X	MG RESISTOR	1kΩ 1/16W J	
C9008	QETN1HM-104Z	E CAPACITOR	0.1uF 50V M		R7745	NRSA63J-103X	MG RESISTOR	10kΩ 1/16W J	
C9009	QETN1EM-476Z	E CAPACITOR	47uF 25V M		R7746	NRSA63J-102X	MG RESISTOR	1kΩ 1/16W J	
C9010	QEKC1CM-107Z	E CAPACITOR	100uF 16V M		R7747	NRSA63J-0R0X	MG RESISTOR	0Ω 1/16W J	
C9021	NCB31HK-102X	C CAPACITOR	1000pF 50V K		R7748	NRSA63J-102X	MG RESISTOR	1kΩ 1/16W J	
C9022	NCB31HK-102X	C CAPACITOR	1000pF 50V K		R7749	NRSA63J-102X	MG RESISTOR	1kΩ 1/16W J	
C9100	QDGB1HK-102Y	C CAPACITOR	1000pF 50V K		R7751	QRE141J-222Y	C RESISTOR	2.2kΩ 1/4W J	
C9101	QDGB1HK-102Y	C CAPACITOR	1000pF 50V K		R7752	QRE141J-222Y	C RESISTOR	2.2kΩ 1/4W J	
C9102	QDGB1HK-102Y	C CAPACITOR	1000pF 50V K		R7756	NRSA63J-102X	MG RESISTOR	1kΩ 1/16W J	
C9103	QDXB1CM-392Y	C CAPACITOR	3900pF 16V M		R7759	NRSA63J-222X	MG RESISTOR	2.2kΩ 1/16W J	
C9104	QDXB1CM-392Y	C CAPACITOR	3900pF 16V M		R7760	NRSA63J-222X	MG RESISTOR	2.2kΩ 1/16W J	
C9105	QDGB1HK-102Y	C CAPACITOR	1000pF 50V K		R7761	NRSA63J-222X	MG RESISTOR	2.2kΩ 1/16W J	
					R7762	NRSA63J-222X	MG RESISTOR	2.2kΩ 1/16W J	
R7000	QRE141J-222Y	C RESISTOR	2.2kΩ 1/4W J		R7763	NRSA63J-102X	MG RESISTOR	1kΩ 1/16W J	
R7001	QRL01DJ-151X	OMF RESISTOR	150Ω 1W J		R7764	NRSA63J-102X	MG RESISTOR	1kΩ 1/16W J	
R7002	QRL01DJ-151X	OMF RESISTOR	150Ω 1W J		R7765	NRSA63J-0R0X	MG RESISTOR	0Ω 1/16W J	
R7003	QRL01DJ-151X	OMF RESISTOR	150Ω 1W J		R7766	NRSA63J-0R0X	MG RESISTOR	0Ω 1/16W J	
R7004	QRL01DJ-151X	OMF RESISTOR	150Ω 1W J		R7767	NRSA63J-222X	MG RESISTOR	2.2kΩ 1/16W J	
R7005	QRL01DJ-151X	OMF RESISTOR	150Ω 1W J		R7768	NRSA63J-222X	MG RESISTOR	2.2kΩ 1/16W J	
R7006	QRL01DJ-151X	OMF RESISTOR	150Ω 1W J		R7769	NRSA63J-102X	MG RESISTOR	1kΩ 1/16W J	
R7010	QRE141J-222Y	C RESISTOR	2.2kΩ 1/4W J		R7770	NRSA63J-102X	MG RESISTOR	1kΩ 1/16W J	
R7011	QRL01DJ-151X	OMF RESISTOR	150Ω 1W J		R7771	QRE141J-104Y	C RESISTOR	100kΩ 1/4W J	
R7012	QRL01DJ-151X	OMF RESISTOR	150Ω 1W J		R7772	QRE141J-222Y	C RESISTOR	2.2kΩ 1/4W J	
R7013	QRL01DJ-151X	OMF RESISTOR	150Ω 1W J		R7773	QRE141J-222Y	C RESISTOR	2.2kΩ 1/4W J	
R7014	QRL01DJ-151X	OMF RESISTOR	150Ω 1W J		R7774	QRE141J-102Y	C RESISTOR	1kΩ 1/4W J	
R7015	QRL01DJ-151X	OMF RESISTOR	150Ω 1W J		R7775	NRSA63J-222X	MG RESISTOR	2.2kΩ 1/16W J	
R7016	QRL01DJ-151X	OMF RESISTOR	150Ω 1W J		R7776	NRSA63J-222X	MG RESISTOR	2.2kΩ 1/16W J	
R7050	QRE141J-563Y	C RESISTOR	56kΩ 1/4W J		R7777	NRSA63J-102X	MG RESISTOR	1kΩ 1/16W J	
R7080	NRSA63J-223X	MG RESISTOR	22kΩ 1/16W J		R7778	NRSA63J-222X	MG RESISTOR	2.2kΩ 1/16W J	
R7081	NRSA63J-103X	MG RESISTOR	10kΩ 1/16W J		R7779	NRSA63J-222X	MG RESISTOR	2.2kΩ 1/16W J	
R7082	NRSA63J-102X	MG RESISTOR	1kΩ 1/16W J		R7780	NRSA63J-222X	MG RESISTOR	2.2kΩ 1/16W J	
R7083	NRSA63J-222X	MG RESISTOR	2.2kΩ 1/16W J		R7781	NRSA63J-222X	MG RESISTOR	2.2kΩ 1/16W J	
R7084	NRSA63J-681X	MG RESISTOR	680Ω 1/16W J		R7786	NRSA63J-222X	MG RESISTOR	2.2kΩ 1/16W J	
R7085	NRSA63J-681X	MG RESISTOR	680Ω 1/16W J		R7788	NRSA63J-222X	MG RESISTOR	2.2kΩ 1/16W J	
R7151	QRE141J-123Y	C RESISTOR	12kΩ 1/4W J		R7789	NRSA63J-222X	MG RESISTOR	2.2kΩ 1/16W J	
R7152	QRE141J-123Y	C RESISTOR	12kΩ 1/4W J		R7790	NRSA63J-102X	MG RESISTOR	1kΩ 1/16W J	
R7153	QRE141J-123Y	C RESISTOR	12kΩ 1/4W J		R7791	NRSA63J-102X	MG RESISTOR	1kΩ 1/16W J	
R7154	QRE141J-123Y	C RESISTOR	12kΩ 1/4W J		R7792	NRSA63J-102X	MG RESISTOR	1kΩ 1/16W J	
R7155	QRE141J-123Y	C RESISTOR	12kΩ 1/4W J		R7794	NRSA63J-222X	MG RESISTOR	2.2kΩ 1/16W J	
R7156	QRE141J-123Y	C RESISTOR	12kΩ 1/4W J		R7796	NRSA63J-222X	MG RESISTOR	2.2kΩ 1/16W J	
R7157	QRE141J-123Y	C RESISTOR	12kΩ 1/4W J		R7797	NRSA63J-102X	MG RESISTOR	1kΩ 1/16W J	
R7200	NRSA63J-273X	MG RESISTOR	27kΩ 1/16W J		R7798	NRSA63J-102X	MG RESISTOR	1kΩ 1/16W J	
R7251	QRE141J-222Y	C RESISTOR	2.2kΩ 1/4W J		R7803	NRSA63J-103X	MG RESISTOR	10kΩ 1/16W J	
R7252	QRE141J-222Y	C RESISTOR	2.2kΩ 1/4W J		R7804	NRSA63J-103X	MG RESISTOR	10kΩ 1/16W J	
R7253	QRE141J-222Y	C RESISTOR	2.2kΩ 1/4W J		R7805	NRSA63J-103X	MG RESISTOR	10kΩ 1/16W J	
R7254	QRE141J-272Y	C RESISTOR	2.7kΩ 1/4W J		R7806	NRSA63J-103X	MG RESISTOR	10kΩ 1/16W J	
R7255	QRE141J-272Y	C RESISTOR	2.7kΩ 1/4W J		R7807	NRSA63J-103X	MG RESISTOR	10kΩ 1/16W J	
R7256	QRE141J-272Y	C RESISTOR	2.7kΩ 1/4W J		R7808	NRSA63J-103X	MG RESISTOR	10kΩ 1/16W J	
R7257	QRE141J-222Y	C RESISTOR	2.2kΩ 1/4W J		R7809	NRSA63J-273X	MG RESISTOR	27kΩ 1/16W J	UW
R7702	NRSA63J-222X	MG RESISTOR	2.2kΩ 1/16W J		R7809	NRSA63J-153X	MG RESISTOR	15kΩ 1/16W J	UG,UX
R7703	NRSA63J-102X	MG RESISTOR	1kΩ 1/16W J		R7821	NRSA63J-222X	MG RESISTOR	2.2kΩ 1/16W J	
R7704	NRSA63J-102X	MG RESISTOR	1kΩ 1/16W J		R7823	NRSA63J-222X	MG RESISTOR	2.2kΩ 1/16W J	
R7705	NRSA63J-102X	MG RESISTOR	1kΩ 1/16W J		R7824	NRSA63J-222X	MG RESISTOR	2.2kΩ 1/16W J	
R7706	NRSA63J-102X	MG RESISTOR	1kΩ 1/16W J		R7825	NRSA63J-222X	MG RESISTOR	2.2kΩ 1/16W J	
R7707	NRSA63J-222X	MG RESISTOR	2.2kΩ 1/16W J		R7852	NRSA63J-104X	MG RESISTOR	100kΩ 1/16W J	
R7708	NRSA63J-222X	MG RESISTOR	2.2kΩ 1/16W J		R7867	NRSA63J-103X	MG RESISTOR	10kΩ 1/16W J	
R7709	NRSA63J-103X	MG RESISTOR	10kΩ 1/16W J		R7871	NRSA63J-104X	MG RESISTOR	100kΩ 1/16W J	
R7715	NRSA63J-103X	MG RESISTOR	10kΩ 1/16W J		R7875	NRSA63J-104X	MG RESISTOR	100kΩ 1/16W J	
R7717	NRSA63J-103X	MG RESISTOR	10kΩ 1/16W J		R7876	NRSA63J-103X	MG RESISTOR	10kΩ 1/16W J	
R7718	QRE141J-102Y	C RESISTOR	1kΩ 1/4W J		R7878	NRSA63J-104X	MG RESISTOR	100kΩ 1/16W J	

△ Symbol No.	Part No.	Part Name	Description	Local	△ Symbol No.	Part No.	Part Name	Description	Local
R7879	NRSA63J-103X	MG RESISTOR	10kΩ 1/16W J		R8183	NRSA63J-223X	MG RESISTOR	22kΩ 1/16W J	
R7881	QRE141J-103Y	C RESISTOR	10kΩ 1/4W J		R8184	NRSA63J-0R0X	MG RESISTOR	0Ω 1/16W J	
R7886	NRSA63J-103X	MG RESISTOR	10kΩ 1/16W J		R8186	NRSA63J-103X	MG RESISTOR	10kΩ 1/16W J	
R7892	NRSA63J-103X	MG RESISTOR	10kΩ 1/16W J		R8187	NRSA63J-102X	MG RESISTOR	1kΩ 1/16W J	
R7897	NRSA63J-103X	MG RESISTOR	10kΩ 1/16W J		R8189	NRSA63J-104X	MG RESISTOR	100kΩ 1/16W J	
R7899	NRSA63J-103X	MG RESISTOR	10kΩ 1/16W J		R8190	QRE141J-153Y	C RESISTOR	15kΩ 1/4W J	
R8000	NRSA63J-473X	MG RESISTOR	47kΩ 1/16W J		R8191	QRE141J-154Y	C RESISTOR	150kΩ 1/4W J	
R8001	NRSA63J-473X	MG RESISTOR	47kΩ 1/16W J		R8192	NRSA63J-133X	MG RESISTOR	13kΩ 1/16W J	
R8002	NRSA63J-223X	MG RESISTOR	22kΩ 1/16W J		R8193	NRSA63J-101X	MG RESISTOR	100Ω 1/16W J	
R8003	NRSA63J-223X	MG RESISTOR	22kΩ 1/16W J		R8194	NRSA63J-303X	MG RESISTOR	30kΩ 1/16W J	
R8004	NRSA63J-222X	MG RESISTOR	2.2kΩ 1/16W J		R8195	NRSA63J-0R0X	MG RESISTOR	0Ω 1/16W J	
R8005	NRSA63J-103X	MG RESISTOR	10kΩ 1/16W J		R8202	NRSA63J-103X	MG RESISTOR	10kΩ 1/16W J	
R8006	NRSA63J-103X	MG RESISTOR	10kΩ 1/16W J		R8203	NRSA63J-223X	MG RESISTOR	22kΩ 1/16W J	
R8007	NRSA63J-223X	MG RESISTOR	22kΩ 1/16W J		R8204	NRSA63J-223X	MG RESISTOR	22kΩ 1/16W J	
R8020	NRSA63J-392X	MG RESISTOR	3.9kΩ 1/16W J		R8205	NRSA63J-243X	MG RESISTOR	24kΩ 1/16W J	
R8021	NRSA63J-104X	MG RESISTOR	100kΩ 1/16W J		R8206	NRSA63J-103X	MG RESISTOR	10kΩ 1/16W J	
R8030	NRSA63J-472X	MG RESISTOR	4.7kΩ 1/16W J		R8211	NRSA63J-223X	MG RESISTOR	22kΩ 1/16W J	
R8031	NRSA63J-332X	MG RESISTOR	3.3kΩ 1/16W J		R8212	NRSA63J-103X	MG RESISTOR	10kΩ 1/16W J	
R8032	NRSA63J-123X	MG RESISTOR	12kΩ 1/16W J		R8223	NRSA63J-0R0X	MG RESISTOR	0Ω 1/16W J	
R8033	NRSA63J-154X	MG RESISTOR	150kΩ 1/16W J		R8224	NRSA63J-0R0X	MG RESISTOR	0Ω 1/16W J	
R8034	NRSA63J-473X	MG RESISTOR	47kΩ 1/16W J		R8225	NRSA63J-0R0X	MG RESISTOR	0Ω 1/16W J	
R8035	NRSA63J-101X	MG RESISTOR	100Ω 1/16W J		R8230	NRSA63J-752X	MG RESISTOR	7.5kΩ 1/16W J	
R8036	NRSA63J-101X	MG RESISTOR	100Ω 1/16W J		R8231	NRSA63J-103X	MG RESISTOR	10kΩ 1/16W J	
R8042	NRSA63J-821X	MG RESISTOR	820Ω 1/16W J		R8232	QRE141J-103Y	C RESISTOR	10kΩ 1/4W J	
R8043	NRSA63J-103X	MG RESISTOR	10kΩ 1/16W J		R8235	NRSA63J-224X	MG RESISTOR	220kΩ 1/16W J	
R8046	NRSA63J-474X	MG RESISTOR	470kΩ 1/16W J		R8260	NRSA63J-474X	MG RESISTOR	470kΩ 1/16W J	
R8060	QRE141J-472Y	C RESISTOR	4.7kΩ 1/4W J		R8261	NRSA63J-474X	MG RESISTOR	470kΩ 1/16W J	
R8061	NRSA63J-103X	MG RESISTOR	10kΩ 1/16W J		R8262	NRSA63J-101X	MG RESISTOR	100Ω 1/16W J	
R8062	NRSA63J-103X	MG RESISTOR	10kΩ 1/16W J		R8263	NRSA63J-475X	MG RESISTOR	4.7MΩ 1/16W J	
R8070	NRSA63J-102X	MG RESISTOR	1kΩ 1/16W J		R8264	NRSA63J-153X	MG RESISTOR	15kΩ 1/16W J	
R8071	NRSA63J-103X	MG RESISTOR	10kΩ 1/16W J		R8265	NRSA63J-562X	MG RESISTOR	5.6kΩ 1/16W J	
R8072	NRSA63J-103X	MG RESISTOR	10kΩ 1/16W J		R8266	NRSA63J-472X	MG RESISTOR	4.7kΩ 1/16W J	
R8073	NRSA63J-103X	MG RESISTOR	10kΩ 1/16W J		R8267	NRSA63J-104X	MG RESISTOR	100kΩ 1/16W J	
R8074	NRSA63J-102X	MG RESISTOR	1kΩ 1/16W J		R8268	NRSA63J-622X	MG RESISTOR	6.2kΩ 1/16W J	
R8075	NRSA63J-103X	MG RESISTOR	10kΩ 1/16W J		R8269	QRE141J-222Y	C RESISTOR	2.2kΩ 1/4W J	
R8080	NRSA63J-102X	MG RESISTOR	1kΩ 1/16W J		R8293	QRE141J-393Y	C RESISTOR	39kΩ 1/4W J	
R8081	NRSA63J-103X	MG RESISTOR	10kΩ 1/16W J		R8335	NRSA63J-224X	MG RESISTOR	220kΩ 1/16W J	
R8082	NRSA63J-103X	MG RESISTOR	10kΩ 1/16W J		R8507	NRSA63J-104X	MG RESISTOR	100kΩ 1/16W J	
R8083	NRSA63J-103X	MG RESISTOR	10kΩ 1/16W J		R8508	NRSA63J-243X	MG RESISTOR	24kΩ 1/16W J	
R8084	NRSA63J-102X	MG RESISTOR	1kΩ 1/16W J		R8509	NRSA63J-243X	MG RESISTOR	24kΩ 1/16W J	
R8085	NRSA63J-103X	MG RESISTOR	10kΩ 1/16W J		R8510	NRSA63J-243X	MG RESISTOR	24kΩ 1/16W J	
R8090	QRE141J-153Y	C RESISTOR	15kΩ 1/4W J		R8511	NRSA63J-243X	MG RESISTOR	24kΩ 1/16W J	
R8091	QRE141J-154Y	C RESISTOR	150kΩ 1/4W J		R8512	NRSA63J-243X	MG RESISTOR	24kΩ 1/16W J	
R8092	NRSA63J-133X	MG RESISTOR	13kΩ 1/16W J		R8513	NRSA63J-243X	MG RESISTOR	24kΩ 1/16W J	
R8093	NRSA63J-101X	MG RESISTOR	100Ω 1/16W J		R8514	NRSA63J-243X	MG RESISTOR	24kΩ 1/16W J	
R8094	NRSA63J-303X	MG RESISTOR	30kΩ 1/16W J		R8521	NRSA63J-243X	MG RESISTOR	24kΩ 1/16W J	
R8095	NRSA63J-0R0X	MG RESISTOR	0Ω 1/16W J		R8523	QRZ9006-4R7X	F.RESISTOR	4.7Ω 1/4W J	
R8100	NRSA63J-473X	MG RESISTOR	47kΩ 1/16W J		R8524	QRE141J-561Y	C RESISTOR	560Ω 1/4W J	
R8101	NRSA63J-473X	MG RESISTOR	47kΩ 1/16W J		R8529	NRSA63J-113X	MG RESISTOR	11kΩ 1/16W J	
R8102	NRSA63J-223X	MG RESISTOR	22kΩ 1/16W J		R8539	QRE141J-822Y	C RESISTOR	8.2kΩ 1/4W J	
R8103	NRSA63J-223X	MG RESISTOR	22kΩ 1/16W J		R8551	NRSA63J-223X	MG RESISTOR	22kΩ 1/16W J	
R8104	NRSA63J-222X	MG RESISTOR	2.2kΩ 1/16W J		R8574	NRSA63J-223X	MG RESISTOR	22kΩ 1/16W J	
R8105	NRSA63J-103X	MG RESISTOR	10kΩ 1/16W J		R8575	NRSA63J-223X	MG RESISTOR	22kΩ 1/16W J	
R8106	NRSA63J-103X	MG RESISTOR	10kΩ 1/16W J		R8578	NRSA63J-681X	MG RESISTOR	680Ω 1/16W J	
R8107	NRSA63J-223X	MG RESISTOR	22kΩ 1/16W J		R8579	NRSA63J-103X	MG RESISTOR	10kΩ 1/16W J	
R8120	NRSA63J-392X	MG RESISTOR	3.9kΩ 1/16W J		R8888	NRSA63J-0R0X	MG RESISTOR	0Ω 1/16W J	
R8121	NRSA63J-104X	MG RESISTOR	100kΩ 1/16W J		R8900	QRE141J-102Y	C RESISTOR	1kΩ 1/4W J	
R8130	NRSA63J-472X	MG RESISTOR	4.7kΩ 1/16W J		R9000	NRSA63J-103X	MG RESISTOR	10kΩ 1/16W J	
R8131	NRSA63J-332X	MG RESISTOR	3.3kΩ 1/16W J		R9001	NRSA63J-104X	MG RESISTOR	100kΩ 1/16W J	
R8132	NRSA63J-123X	MG RESISTOR	12kΩ 1/16W J		R9002	NRSA63J-102X	MG RESISTOR	1kΩ 1/16W J	
R8133	NRSA63J-154X	MG RESISTOR	150kΩ 1/16W J		R9003	NRSA63J-124X	MG RESISTOR	120kΩ 1/16W J	
R8134	NRSA63J-473X	MG RESISTOR	47kΩ 1/16W J		R9004	NRSA63J-222X	MG RESISTOR	2.2kΩ 1/16W J	
R8135	NRSA63J-101X	MG RESISTOR	100Ω 1/16W J		R9005	NRSA63J-102X	MG RESISTOR	1kΩ 1/16W J	
R8136	NRSA63J-101X	MG RESISTOR	100Ω 1/16W J		R9006	NRSA63J-103X	MG RESISTOR	10kΩ 1/16W J	
R8142	NRSA63J-821X	MG RESISTOR	820Ω 1/16W J		R9007	NRSA63J-104X	MG RESISTOR	100kΩ 1/16W J	
R8143	NRSA63J-103X	MG RESISTOR	10kΩ 1/16W J		R9008	NRSA63J-102X	MG RESISTOR	1kΩ 1/16W J	
R8146	NRSA63J-474X	MG RESISTOR	470kΩ 1/16W J		R9009	NRSA63J-473X	MG RESISTOR	47kΩ 1/16W J	
R8160	QRE141J-472Y	C RESISTOR	4.7kΩ 1/4W J		R9010	NRSA63J-473X	MG RESISTOR	47kΩ 1/16W J	
R8161	NRSA63J-103X	MG RESISTOR	10kΩ 1/16W J		R9011	NRSA63J-473X	MG RESISTOR	47kΩ 1/16W J	
R8162	NRSA63J-103X	MG RESISTOR	10kΩ 1/16W J		R9012	NRSA63J-473X	MG RESISTOR	47kΩ 1/16W J	
R8170	NRSA63J-102X	MG RESISTOR	1kΩ 1/16W J		R9013	NRSA63J-103X	MG RESISTOR	10kΩ 1/16W J	
R8171	NRSA63J-103X	MG RESISTOR	10kΩ 1/16W J		R9014	NRSA63J-103X	MG RESISTOR	10kΩ 1/16W J	
R8172	NRSA63J-103X	MG RESISTOR	10kΩ 1/16W J		R9015	QRE141J-221Y	C RESISTOR	220Ω 1/4W J	
R8173	NRSA63J-103X	MG RESISTOR	10kΩ 1/16W J		R9017	NRSA63J-104X	MG RESISTOR	100kΩ 1/16W J	
R8174	NRSA63J-102X	MG RESISTOR	1kΩ 1/16W J		R9021	NRSA63J-472X	MG RESISTOR	4.7kΩ 1/16W J	
R8175	NRSA63J-103X	MG RESISTOR	10kΩ 1/16W J		R9022	NRSA63J-472X	MG RESISTOR	4.7kΩ 1/16W J	
R8180	NRSA63J-223X	MG RESISTOR	22kΩ 1/16W J		R9101	NRSA63J-472X	MG RESISTOR	4.7kΩ 1/16W J	
R8182	NRSA63J-163X	MG RESISTOR	16kΩ 1/16W J		R9102	NRSA63J-472X	MG RESISTOR	4.7kΩ 1/16W J	

△ Symbol No.	Part No.	Part Name	Description	Local	△ Symbol No.	Part No.	Part Name	Description	Local
R9103	NRSA63J-472X	MG RESISTOR	4.7kΩ 1/16W J		△ D2004	6A10E2	SI DIODE		
R9104	NRSA63J-472X	MG RESISTOR	4.7kΩ 1/16W J		D2008	2A02-M	DIODE		
VR901	QVQ0306-B24	V RESISTOR			D2009	MTZJ5.1C-T2	Z DIODE		
L9100	QQL231K-2R2Y	COIL	2.2uH K		D2013	1S133-T2	SI DIODE		
L9101	QQL231K-470Y	COIL	47uH K		D9300	2A02-M	DIODE		
L9102	QQL231K-470Y	COIL	47uH K		D9301	MTZJ3.3B-T2	Z DIODE		
CN720	QGF1036C1-19	CONNECTOR	FFC/FPC (1-19)		D9302	MTZJ2.0A-T2	Z DIODE		
CN730	QGF1205C1-25	CONNECTOR	FFC/FPC (1-25)		D9303	MTZJ3.9B-T2	Z DIODE		
CN740	QGF1205F1-05	CONNECTOR	FFC/FPC (1-5)		D9310	MTZJ3.0B-T2	Z DIODE		
CN750	QGF1205F1-11	CONNECTOR	FFC/FPC (1-11)		D9311	1N4003S-T5	SI DIODE		
CN760	QGF1205C1-08	CONNECTOR	FFC/FPC (1-8)		D9312	1N4003S-T5	SI DIODE		
CN788	QGF1205C1-05	CONNECTOR	FFC/FPC (1-5)		D9313	1N4003S-T5	SI DIODE		
CN800	QGF1036C1-10	CONNECTOR	FFC/FPC (1-10)		C1002	QETN1HM-226Z	E CAPACITOR	22uF 50V M	
CN810	QGF1036C1-08	CONNECTOR	FFC/FPC (1-8)		C1003	QETN1HM-226Z	E CAPACITOR	22uF 50V M	
CN820	QGF1205C1-08	CONNECTOR	FFC/FPC (1-8)		C1004	QDYB1CM-103Y	C CAPACITOR	0.01uF 16V M	
CN830	QGF1205C1-19	CONNECTOR	FFC/FPC (1-19)		C1005	QETN1HM-106Z	E CAPACITOR	10uF 50V M	
CN850	QGB2510J1-15	CONNECTOR	B-B (1-15)		C1010	QFLC1HJ-104Z	M CAPACITOR	0.1uF 50V J	
CN860	QGB2510K2-06	CONNECTOR	B-B (1-6)		C1011	QFLC1HJ-104Z	M CAPACITOR	0.1uF 50V J	
CN901	QGF1205F1-05	CONNECTOR	FFC/FPC (1-5)		C1012	QFLC1HJ-104Z	M CAPACITOR	0.1uF 50V J	
FW910	QUM153-21DGZ4-E	FLAT WIRE			C1013	QFKC2EK-104Z	MM CAPACITOR	0.1uF 250V K	
J700	QNB0261-003	SPK TERMINAL			C1014	QFKC2EK-104Z	MM CAPACITOR	0.1uF 250V K	
J800	QNN0732-001	AUX JACK			C1015	QFKC2EK-103Z	MM CAPACITOR	0.01uF 250V K	
J901	QNS0252-001	MIC JACK			C1016	QETN2AM-476Z	E CAPACITOR	47uF 100V M	
J902	QNS0252-001	MIC JACK			C1017	QETN1HM-107Z	E CAPACITOR	100uF 50V M	
J910	QNS0170-001	HEADPHONE JACK			C2000	QEZ0706-568	E CAPACITOR	5600uF	
K8000	NRSA63J-0R0X	MG RESISTOR	0Ω 1/16W J		C2004	QEZ0706-568	E CAPACITOR	5600uF	
K8001	NRSA63J-0R0X	MG RESISTOR	0Ω 1/16W J		C2005	QFLC2AJ-103Z	M CAPACITOR	0.01uF 100V J	
K9100	QQR0621-001Z	FERRITE BEADS			C2006	QETM1HM-478	E CAPACITOR	4700uF 50V M	
RY712	QSK0109-001	RELAY			C2007	QFLC2AJ-103Z	M CAPACITOR	0.01uF 100V J	
RY734	QSK0109-001	RELAY			C2008	QETM1HM-478	E CAPACITOR	4700uF 50V M	
RY750	QSK0109-001	RELAY			C2009	QFKC2EK-104Z	MM CAPACITOR	0.1uF 250V K	
RY767	QSK0109-001	RELAY			C2010	QCBB1HK-103Y	C CAPACITOR	0.01uF 50V K	
X7700	QAX0711-002Z	CRYSTAL	8.000000MHz		C2011	QCBB1HK-221Y	C CAPACITOR	220pF 50V K	

## Primary board (DX-T9)

Block No. [0][3]

△ Symbol No.	Part No.	Part Name	Description	Local	△ Symbol No.	Part No.	Part Name	Description	Local
IC920	BH7868FS-X	IC			C9216	QCBB1HK-104Y	C CAPACITOR	0.1uF 50V K	
IC930	GP1FAV30TK0F	OPTICAL JACK			C9218	QETN0JM-477Z	E CAPACITOR	470uF 6.3V M	
Q1000	KTC2026/Y/	TRANSISTOR			C9221	QETN0JM-477Z	E CAPACITOR	470uF 6.3V M	
Q1001	KTC3203/OY/I-T	TRANSISTOR			C9224	QETN0JM-477Z	E CAPACITOR	470uF 6.3V M	
Q2007	KTA1046/Y/	TRANSISTOR			C9227	QETN0JM-477Z	E CAPACITOR	470uF 6.3V M	
Q2008	KTC3199/GLJ-T	TRANSISTOR			C9230	QETN0JM-477Z	E CAPACITOR	470uF 6.3V M	
Q2009	KTC3199/GLJ-T	TRANSISTOR			C9232	QETN0JM-477Z	E CAPACITOR	470uF 6.3V M	
Q9300	KRA110M-T	TRANSISTOR			C9300	QETN0JM-107Z	E CAPACITOR	100uF 6.3V M	
Q9301	KRC110M-T	TRANSISTOR			C9303	QETN1CM-107Z	E CAPACITOR	100uF 16V M	
Q9303	KTC3199/GLJ-T	TRANSISTOR			△ R1000	QRK126J-470X	UNF C RESISTOR	47Ω 1/2W J	
△ D1000	1N5402M-20	DIODE			R1001	QRE141J-753Y	C RESISTOR	75kΩ 1/4W J	
△ D1001	1N5402M-20	DIODE			R1002	QRE141J-104Y	C RESISTOR	100kΩ 1/4W J	
△ D1002	1N5402M-20	DIODE			R1003	QRE141J-104Y	C RESISTOR	100kΩ 1/4W J	
△ D1003	1N5402M-20	DIODE			R1005	QRE141J-753Y	C RESISTOR	75kΩ 1/4W J	
△ D1004	6A10E2	SI DIODE			R2000	QRE141J-104Y	C RESISTOR	100kΩ 1/4W J	
△ D1005	6A10E2	SI DIODE			R2001	QRE141J-104Y	C RESISTOR	100kΩ 1/4W J	
△ D1006	6A10E2	SI DIODE			R2002	QRE141J-104Y	C RESISTOR	100kΩ 1/4W J	
△ D1007	6A10E2	SI DIODE			R2003	QRE141J-104Y	C RESISTOR	100kΩ 1/4W J	
△ D1008	6A10E2	SI DIODE			R2004	QRE141J-681Y	C RESISTOR	680Ω 1/4W J	
△ D1009	6A10E2	SI DIODE			R2005	QRE141J-272Y	C RESISTOR	2.7kΩ 1/4W J	
△ D1010	6A10E2	SI DIODE			R2006	QRE141J-681Y	C RESISTOR	680Ω 1/4W J	
△ D1011	6A10E2	SI DIODE			R2007	QRE141J-472Y	C RESISTOR	4.7kΩ 1/4W J	
D1012	MTZJ6.2B-T2	Z DIODE			R2008	QRE141J-102Y	C RESISTOR	1kΩ 1/4W J	
D1013	MTZJ18B-T2	Z DIODE			R2009	QRE141J-102Y	C RESISTOR	1kΩ 1/4W J	
D1014	MTZJ18B-T2	Z DIODE			R2010	QRE141J-102Y	C RESISTOR	1kΩ 1/4W J	
D1015	1N4003S-T5	SI DIODE			R2011	QRL01DJ-471X	OMF RESISTOR	470Ω 1W J	
D1016	1N4003S-T5	SI DIODE			R2012	QRL01DJ-471X	OMF RESISTOR	470Ω 1W J	
D1017	1N4003S-T5	SI DIODE			R2014	QRE141J-273Y	C RESISTOR	27kΩ 1/4W J	
△ D2001	6A10E2	SI DIODE			R9201	QRE141J-391Y	C RESISTOR	390Ω 1/4W J	
△ D2002	6A10E2	SI DIODE			R9202	QRE141J-391Y	C RESISTOR	390Ω 1/4W J	
△ D2003	6A10E2	SI DIODE			R9203	QRE141J-361Y	C RESISTOR	360Ω 1/4W J	
					R9204	QRE141J-131Y	C RESISTOR	130Ω 1/4W J	
					R9205	QRE141J-361Y	C RESISTOR	360Ω 1/4W J	

△ Symbol No.	Part No.	Part Name	Description	Local	△ Symbol No.	Part No.	Part Name	Description	Local
R9206	QRE141J-131Y	C RESISTOR	130Ω 1/4W J		△ IC607	KIA317PI	IC		
R9207	QRE141J-391Y	C RESISTOR	390Ω 1/4W J		△ IC608	KIA7805API	IC		
R9208	QRE141J-391Y	C RESISTOR	390Ω 1/4W J		△ IC650	STK413-430	IC		
R9209	QRE141J-391Y	C RESISTOR	390Ω 1/4W J						
R9210	QRE141J-391Y	C RESISTOR	390Ω 1/4W J		Q5004	KRC102M-T	DIGI TRANSISTOR		
R9218	QRE141J-750Y	C RESISTOR	75Ω 1/4W J		Q5005	KRC102M-T	DIGI TRANSISTOR		
R9221	QRE141J-750Y	C RESISTOR	75Ω 1/4W J		Q5006	KRC102M-T	DIGI TRANSISTOR		
R9224	QRE141J-750Y	C RESISTOR	75Ω 1/4W J		Q5007	KRC102M-T	DIGI TRANSISTOR		
R9227	QRE141J-750Y	C RESISTOR	75Ω 1/4W J		Q5008	KTA1023/OY/-T	TRANSISTOR		
R9230	QRE141J-750Y	C RESISTOR	75Ω 1/4W J		Q5009	KRC102M-T	DIGI TRANSISTOR		
R9232	QRE141J-750Y	C RESISTOR	75Ω 1/4W J		Q5010	KRC110M-T	TRANSISTOR		
R9300	QRT017J-2R2	MF RESISTOR	2.2Ω 1W J		Q5011	KTC3199/GL/-T	TRANSISTOR		
R9301	QRE141J-681Y	C RESISTOR	680Ω 1/4W J		Q6001	KRC102M-T	DIGI TRANSISTOR		
R9302	QRZ9006-4R7X	F.RESISTOR	4.7Ω 1/4W J		Q6002	KTA1267/YG/-T	TRANSISTOR		
R9303	QRE141J-271Y	C RESISTOR	270Ω 1/4W J		Q6211	KTC3199/GL/-T	TRANSISTOR		
R9310	QRE141J-470Y	C RESISTOR	47Ω 1/4W J		Q6221	KTC3199/GL/-T	TRANSISTOR		
					Q6231	KTC3199/GL/-T	TRANSISTOR		
CN100	QGA7901C1-02	CONNECTOR	W-B (1-2)		Q6351	KTC3203/OY/-T	TRANSISTOR		
CN101	QGA7901C1-04	CONNECTOR	W-B (1-4)		Q6352	KRC102M-T	DIGI TRANSISTOR		
CN102	QGA7901C1-03	CONNECTOR	W-B (1-3)		Q6511	KTC3199/GL/-T	TRANSISTOR		
CN103	QGA3901F1-08	CONNECTOR	W-B (1-8)		Q6521	KTC3199/GL/-T	TRANSISTOR		
CN104	QGB2510J1-13	CONNECTOR	B-B (1-13)		Q6531	KTC3199/GL/-T	TRANSISTOR		
CN105	QGD2503F1-03	CONNECTOR	(1-3)		Q6601	KTC3200/GL/-T	TRANSISTOR		
CN106	QGA3901F1-03	CONNECTOR	W-B (1-3)		Q6602	KTA1023/OY/-T	TRANSISTOR		
CN200	QGB2510J1-16	CONNECTOR	B-B (1-16)		Q6603	KTA1268/GL/-T	TRANSISTOR		
CN201	QGB2510J1-20	CONNECTOR	B-B (1-20)		Q6604	KTC1027/OY/-T	TRANSISTOR		
CN202	QGD2504C1-03Z	CONNECTOR	(1-3)		Q6701	KTC1027/OY/-T	TRANSISTOR		
CN203	QGB2510K2-15	CONNECTOR	B-B (1-15)		Q6702	KTA1023/OY/-T	TRANSISTOR		
CN204	QGB2510K2-13	CONNECTOR	B-B (1-13)		Q6703	KTC3199/GL/-T	TRANSISTOR		
CN920	QGF1205C1-08	CONNECTOR	FFC/FPC (1-8)		Q6704	KTA1023/OY/-T	TRANSISTOR		
CN930	QGF1036C1-28	CONNECTOR	FFC/FPC (1-28)						
CN931	QGF1205C1-11	CONNECTOR	FFC/FPC (1-11)		D5004	SLI-343URC-W-T	LED		
EP201	E409182-001SM	GRAND TERMINAL			D5005	SLI-343URC-W-T	LED		
H2001	GV40577-001A	HEAT SINK			D5006	SELU2E10C-P	LED		
IH920	GV40397-003A	IC HOLDER			D5007	SLR-343VC-T	LED		
J920	QNN0624-001	PIN JACK			D6001	MTZJ9.1B-T2	Z DIODE		
J921	QNN0557-002	PIN JACK			D6002	MTZJ9.1B-T2	Z DIODE		
PP201	QZW0038-001	WIRE CLAMP			D6211	1SS119-041-T2	DIODE		
PP202	QZW0038-001	WIRE CLAMP			D6221	1SS119-041-T2	DIODE		
△ S1000	QSW0812-001	VOLTAGE SWITCH			D6231	1SS119-041-T2	DIODE		
Z1001	QNG0003-001Z	FUSE CLIP			D6311	MTZJ11B-T2	Z DIODE		
Z1002	QNG0003-001Z	FUSE CLIP			D6321	MTZJ5.6C-T2	Z DIODE		
Z1003	QNG0003-001Z	FUSE CLIP			D6331	MTZJ11B-T2	Z DIODE		
Z1004	QNG0003-001Z	FUSE CLIP			D6341	1SS119-041-T2	DIODE		
Z1005	QNG0003-001Z	FUSE CLIP			D6342	MTZJ6.2B-T2	Z DIODE		
Z1006	QNG0003-001Z	FUSE CLIP			D6351	MTZJ11B-T2	Z DIODE		
Z1007	QNG0003-001Z	FUSE CLIP			D6352	1SS119-041-T2	DIODE		
Z1008	QNG0003-001Z	FUSE CLIP			D6361	MTZJ11B-T2	Z DIODE		
Z1009	QNG0003-001Z	FUSE CLIP			D6511	1SS119-041-T2	DIODE		
Z1010	QNG0003-001Z	FUSE CLIP			D6521	1SS119-041-T2	DIODE		
Z1011	QNG0003-001Z	FUSE CLIP			D6531	1SS119-041-T2	DIODE		
Z1012	QNG0003-001Z	FUSE CLIP			D6601	1SS119-041-T2	DIODE		
Z1013	QNG0003-001Z	FUSE CLIP			D6701	1SS119-041-T2	DIODE		
Z1014	QNG0003-001Z	FUSE CLIP			D6801	MTZJ15B-T2	Z DIODE		
Z1015	QNG0003-001Z	FUSE CLIP			D6802	MTZJ15B-T2	Z DIODE		
Z1016	QNG0003-001Z	FUSE CLIP			D6803	MTZJ36B-T2	Z DIODE		
Z1017	QNG0003-001Z	FUSE CLIP			D6804	MTZJ36B-T2	Z DIODE		
Z1018	QNG0003-001Z	FUSE CLIP							
Z1019	QNG0003-001Z	FUSE CLIP			C5000	QETN1HM-226Z	E CAPACITOR	22uF 50V M	
Z1020	QNG0003-001Z	FUSE CLIP			C5001	QETN1HM-226Z	E CAPACITOR	22uF 50V M	
					C5002	QDGB1HK-102Y	C CAPACITOR	1000pF 50V K	
					C5003	QKQC1EM-106Z	E CAPACITOR	10uF 25V M	
					C5004	QCBB1HK-104Y	C CAPACITOR	0.1uF 50V K	
					C5005	QCBB1HK-101Y	C CAPACITOR	100pF 50V K	
					C5006	QKQC1AM-107Z	E CAPACITOR	100uF 10V M	
					C5007	QCBB1HK-104Y	C CAPACITOR	0.1uF 50V K	
					C6001	QETN1HM-107Z	E CAPACITOR	100uF 50V M	
					C6002	QETN1HM-106Z	E CAPACITOR	10uF 50V M	
					C6003	QETN1HM-106Z	E CAPACITOR	10uF 50V M	
					C6004	QETN1HM-107Z	E CAPACITOR	100uF 50V M	
					C6005	QETN1HM-105Z	E CAPACITOR	1uF 50V M	
					C6111	QCBB1HK-221Y	C CAPACITOR	220pF 50V K	
					C6112	QETN1HM-106Z	E CAPACITOR	10uF 50V M	
					C6113	QCBB1HK-471Y	C CAPACITOR	470pF 50V K	
					C6121	QCBB1HK-221Y	C CAPACITOR	220pF 50V K	
					C6122	QETN1HM-106Z	E CAPACITOR	10uF 50V M	
					C6123	QCBB1HK-471Y	C CAPACITOR	470pF 50V K	
					C6131	QCBB1HK-221Y	C CAPACITOR	220pF 50V K	

## Amplifier board (DX-T7)

Block No. [0][4]

△ Symbol No.	Part No.	Part Name	Description	Local
	IC500	PT6305	FL DRIVER	
	IC510	GP1UM281XKVF	IR DETECT UNIT	
△ IC601	STK402-240	IC		
△ IC602	KIA7809API	IC		
△ IC603	KIA7805API	IC		
△ IC604	KIA7809API	IC		
△ IC605	KIA278R05PI	TRANSISTOR		
△ IC606	KIA278R09PI	TRANSISTOR		

△ Symbol No.	Part No.	Part Name	Description	Local	△ Symbol No.	Part No.	Part Name	Description	Local
C6132	QETN1HM-106Z	E CAPACITOR	10uF 50V M		R5023	QRE141J-562Y	C RESISTOR	5.6kΩ 1/4W J	
C6133	QCBB1HK-471Y	C CAPACITOR	470pF 50V K		R5024	QRE141J-102Y	C RESISTOR	1kΩ 1/4W J	
C6211	QETN1JM-476Z	E CAPACITOR	47uF 63V M		R5025	QRE141J-102Y	C RESISTOR	1kΩ 1/4W J	
C6212	QCSB1HK-4R7Y	C CAPACITOR	4.7pF 50V K		R5026	QRE141J-122Y	C RESISTOR	1.2kΩ 1/4W J	
C6213	QFLC1HJ-104Z	M CAPACITOR	0.1uF 50V J		R5027	QRE141J-152Y	C RESISTOR	1.5kΩ 1/4W J	
C6214	QFLC1HJ-104Z	M CAPACITOR	0.1uF 50V J		R5028	QRE141J-222Y	C RESISTOR	2.2kΩ 1/4W J	
C6221	QETN1JM-476Z	E CAPACITOR	47uF 63V M		R5029	QRE141J-272Y	C RESISTOR	2.7kΩ 1/4W J	
C6222	QCSB1HK-4R7Y	C CAPACITOR	4.7pF 50V K		R5030	QRE141J-392Y	C RESISTOR	3.9kΩ 1/4W J	
C6223	QFLC1HJ-104Z	M CAPACITOR	0.1uF 50V J		R5035	QRE141J-161Y	C RESISTOR	160Ω 1/4W J	
C6224	QFLC1HJ-104Z	M CAPACITOR	0.1uF 50V J		R5036	QRE141J-161Y	C RESISTOR	160Ω 1/4W J	
C6231	QETN1JM-476Z	E CAPACITOR	47uF 63V M		R5037	QRE141J-560Y	C RESISTOR	56kΩ 1/4W J	
C6232	QCSB1HK-4R7Y	C CAPACITOR	4.7pF 50V K		R5038	QRE141J-102Y	C RESISTOR	1kΩ 1/4W J	
C6233	QFLC1HJ-104Z	M CAPACITOR	0.1uF 50V J		R5039	QRE141J-102Y	C RESISTOR	1kΩ 1/4W J	
C6234	QFLC1HJ-104Z	M CAPACITOR	0.1uF 50V J		R5040	QRE141J-102Y	C RESISTOR	1kΩ 1/4W J	
C6311	QETN1EM-476Z	E CAPACITOR	47uF 25V M		R5041	QRE141J-102Y	C RESISTOR	1kΩ 1/4W J	
C6312	QETN1CM-107Z	E CAPACITOR	100uF 16V M		R5042	QRE141J-103Y	C RESISTOR	10kΩ 1/4W J	
C6321	QETN1EM-476Z	E CAPACITOR	47uF 25V M		R5043	QRE141J-271Y	C RESISTOR	270Ω 1/4W J	
C6322	QETN1CM-107Z	E CAPACITOR	100uF 16V M		R5044	QRE141J-821Y	C RESISTOR	820Ω 1/4W J	
C6331	QETN1EM-476Z	E CAPACITOR	47uF 25V M		R5045	QRE141J-104Y	C RESISTOR	100kΩ 1/4W J	
C6332	QETN1CM-107Z	E CAPACITOR	100uF 16V M		R5046	QRE141J-104Y	C RESISTOR	100kΩ 1/4W J	
C6341	QETN1EM-476Z	E CAPACITOR	47uF 25V M		R6001	QRJ146J-101X	UNF C RESISTOR	100Ω 1/4W J	
C6342	QETN1CM-107Z	E CAPACITOR	100uF 16V M		R6002	QRJ146J-101X	UNF C RESISTOR	100Ω 1/4W J	
C6361	QETN1EM-476Z	E CAPACITOR	47uF 25V M		R6003	QRE141J-103Y	C RESISTOR	10kΩ 1/4W J	
C6362	QETN1CM-107Z	E CAPACITOR	100uF 16V M		R6004	QRE141J-103Y	C RESISTOR	10kΩ 1/4W J	
C6401	QETN1EM-476Z	E CAPACITOR	47uF 25V M		R6005	QRE141J-333Y	C RESISTOR	33kΩ 1/4W J	
C6402	QETN1CM-107Z	E CAPACITOR	100uF 16V M		R6006	QRJ146J-100X	UNF C RESISTOR	10Ω 1/4W J	
C6511	QETN1JM-476Z	E CAPACITOR	47uF 63V M		R6111	QRE141J-102Y	C RESISTOR	1kΩ 1/4W J	
C6512	QCSB1HK-4R7Y	C CAPACITOR	4.7pF 50V K		R6112	QRE141J-563Y	C RESISTOR	56kΩ 1/4W J	
C6513	QFLC1HJ-104Z	M CAPACITOR	0.1uF 50V J		R6121	QRE141J-102Y	C RESISTOR	1kΩ 1/4W J	
C6514	QFLC1HJ-104Z	M CAPACITOR	0.1uF 50V J		R6122	QRE141J-563Y	C RESISTOR	56kΩ 1/4W J	
C6521	QETN1JM-476Z	E CAPACITOR	47uF 63V M		R6131	QRE141J-102Y	C RESISTOR	1kΩ 1/4W J	
C6522	QCSB1HK-4R7Y	C CAPACITOR	4.7pF 50V K		R6132	QRE141J-563Y	C RESISTOR	56kΩ 1/4W J	
C6523	QFLC1HJ-104Z	M CAPACITOR	0.1uF 50V J		△ R6211	QRT01DJ-R22X	MF RESISTOR	0.22Ω 1W J	
C6524	QFLC1HJ-104Z	M CAPACITOR	0.1uF 50V J		R6212	QRE141J-563Y	C RESISTOR	56kΩ 1/4W J	
C6531	QETN1JM-476Z	E CAPACITOR	47uF 63V M		△ R6213	QRJ146J-100X	UNF C RESISTOR	10Ω 1/4W J	
C6532	QCSB1HK-4R7Y	C CAPACITOR	4.7pF 50V K		R6214	QRJ146J-100X	UNF C RESISTOR	10Ω 1/4W J	
C6533	QFLC1HJ-104Z	M CAPACITOR	0.1uF 50V J		R6215	QRE141J-102Y	C RESISTOR	1kΩ 1/4W J	
C6534	QFLC1HJ-104Z	M CAPACITOR	0.1uF 50V J		R6216	QRE141J-562Y	C RESISTOR	5.6kΩ 1/4W J	
C6601	QETN1AM-107Z	E CAPACITOR	100uF 10V M		R6217	QRE141J-473Y	C RESISTOR	47kΩ 1/4W J	
C6602	QFZ0212-104Z	M CAPACITOR	0.1uF		R6218	QRJ146J-821X	UNF C RESISTOR	820Ω 1/4W J	
C6603	QFZ0212-104Z	M CAPACITOR	0.1uF		R6219	QRE141J-104Y	C RESISTOR	100kΩ 1/4W J	
C6604	QETN1HM-105Z	E CAPACITOR	1uF 50V M		△ R6221	QRT01DJ-R22X	MF RESISTOR	0.22Ω 1W J	
C6701	QETN1HM-106Z	E CAPACITOR	10uF 50V M		R6222	QRE141J-563Y	C RESISTOR	56kΩ 1/4W J	
C6702	QETN1CM-476Z	E CAPACITOR	47uF 16V M		△ R6223	QRJ146J-100X	UNF C RESISTOR	10Ω 1/4W J	
C6703	QETN1HM-106Z	E CAPACITOR	10uF 50V M		△ R6224	QRJ146J-100X	UNF C RESISTOR	10Ω 1/4W J	
C6911	QCBB1HK-221Y	C CAPACITOR	220pF 50V K		R6225	QRE141J-102Y	C RESISTOR	1kΩ 1/4W J	
C6912	QTE1V06-106Z	E CAPACITOR	10uF 35V		R6226	QRE141J-562Y	C RESISTOR	5.6kΩ 1/4W J	
C6913	QCBB1HK-101Y	C CAPACITOR	100pF 50V K		R6227	QRE141J-473Y	C RESISTOR	47kΩ 1/4W J	
C6921	QCBB1HK-221Y	C CAPACITOR	220pF 50V K		R6228	QRJ146J-821X	UNF C RESISTOR	820Ω 1/4W J	
C6922	QTE1V06-106Z	E CAPACITOR	10uF 35V		R6229	QRE141J-104Y	C RESISTOR	100kΩ 1/4W J	
C6923	QCBB1HK-101Y	C CAPACITOR	100pF 50V K		△ R6231	QRT01DJ-R22X	MF RESISTOR	0.22Ω 1W J	
C6931	QCBB1HK-221Y	C CAPACITOR	220pF 50V K		R6232	QRE141J-563Y	C RESISTOR	56kΩ 1/4W J	
C6932	QTE1V06-106Z	E CAPACITOR	10uF 35V		△ R6233	QRJ146J-100X	UNF C RESISTOR	10Ω 1/4W J	
C6933	QCBB1HK-471Y	C CAPACITOR	470pF 50V K		R6234	QRJ146J-100X	UNF C RESISTOR	10Ω 1/4W J	
					R6235	QRE141J-102Y	C RESISTOR	1kΩ 1/4W J	
R5000	QRE141J-102Y	C RESISTOR	1kΩ 1/4W J		R6236	QRE141J-562Y	C RESISTOR	5.6kΩ 1/4W J	
R5001	QRE141J-102Y	C RESISTOR	1kΩ 1/4W J		R6237	QRE141J-473Y	C RESISTOR	47kΩ 1/4W J	
R5002	QRE141J-122Y	C RESISTOR	1.2kΩ 1/4W J		△ R6238	QRJ146J-821X	UNF C RESISTOR	820Ω 1/4W J	
R5003	QRE141J-152Y	C RESISTOR	1.5kΩ 1/4W J		R6239	QRE141J-104Y	C RESISTOR	100kΩ 1/4W J	
R5004	QRE141J-222Y	C RESISTOR	2.2kΩ 1/4W J		R6321	QRE141J-103Y	C RESISTOR	10kΩ 1/4W J	
R5005	QRE141J-272Y	C RESISTOR	2.7kΩ 1/4W J		R6342	QRE141J-102Y	C RESISTOR	1kΩ 1/4W J	
R5006	QRE141J-392Y	C RESISTOR	3.9kΩ 1/4W J		△ R6351	QRJ146J-4R7X	UNF C RESISTOR	4.7Ω 1/4W J	
R5007	QRE141J-562Y	C RESISTOR	5.6kΩ 1/4W J		R6352	QRE141J-242Y	C RESISTOR	2.4kΩ 1/4W J	
R5008	QRE141J-103Y	C RESISTOR	10kΩ 1/4W J		R6353	QRE141J-100Y	C RESISTOR	10Ω 1/4W J	
R5009	QRE141J-102Y	C RESISTOR	1kΩ 1/4W J		R6354	QRE141J-271Y	C RESISTOR	270Ω 1/4W J	
R5010	QRE141J-102Y	C RESISTOR	1kΩ 1/4W J		R6355	QRE141J-242Y	C RESISTOR	2.4kΩ 1/4W J	
R5011	QRE141J-122Y	C RESISTOR	1.2kΩ 1/4W J		R6356	QRE141J-103Y	C RESISTOR	10kΩ 1/4W J	
R5012	QRE141J-152Y	C RESISTOR	1.5kΩ 1/4W J		R6357	QRE141J-102Y	C RESISTOR	1kΩ 1/4W J	
R5013	QRE141J-222Y	C RESISTOR	2.2kΩ 1/4W J		R6358	QRE141J-103Y	C RESISTOR	10kΩ 1/4W J	
R5014	QRE141J-272Y	C RESISTOR	2.7kΩ 1/4W J		R6501	QRE141J-202Y	C RESISTOR	2kΩ 1/4W J	
R5015	QRE141J-392Y	C RESISTOR	3.9kΩ 1/4W J		R6502	QRE141J-202Y	C RESISTOR	2kΩ 1/4W J	
R5016	QRE141J-102Y	C RESISTOR	1kΩ 1/4W J		R6503	QRE141J-202Y	C RESISTOR	2kΩ 1/4W J	
R5017	QRE141J-102Y	C RESISTOR	1kΩ 1/4W J		R6510	QRE141J-102Y	C RESISTOR	1kΩ 1/4W J	
R5018	QRE141J-122Y	C RESISTOR	1.2kΩ 1/4W J		△ R6511	QRZ0224-R22	EMIT RESISTOR	0.22Ω	
R5019	QRE141J-152Y	C RESISTOR	1.5kΩ 1/4W J		R6512	QRE141J-563Y	C RESISTOR	56kΩ 1/4W J	
R5020	QRE141J-222Y	C RESISTOR	2.2kΩ 1/4W J		△ R6513	QRJ146J-100X	UNF C RESISTOR	10Ω 1/4W J	
R5021	QRE141J-272Y	C RESISTOR	2.7kΩ 1/4W J		R6514	QRJ146J-100X	UNF C RESISTOR	10Ω 1/4W J	
R5022	QRE141J-392Y	C RESISTOR	3.9kΩ 1/4W J		R6515	QRE141J-202Y	C RESISTOR	2kΩ 1/4W J	

△ Symbol No.	Part No.	Part Name	Description	Local	△ Symbol No.	Part No.	Part Name	Description	Local
R6516	QRE141J-562Y	C RESISTOR	5.6kΩ 1/4W J		S5009	QSW1121-001Z	PUSH SW I.M		
R6517	QRE141J-473Y	C RESISTOR	47kΩ 1/4W J		S5010	QSW1121-001Z	PUSH SW I.M		
△ R6518	QRJ146J-681X	UNF C RESISTOR	680Ω 1/4W J		S5011	QSW1121-001Z	PUSH SW I.M		
R6519	QRE141J-104Y	C RESISTOR	100kΩ 1/4W J		S5012	QSW1121-001Z	PUSH SW I.M		
R6520	QRE141J-102Y	C RESISTOR	1kΩ 1/4W J		S5013	QSW1121-001Z	PUSH SW I.M		
△ R6521	QRZ0224-R22	EMIT RESISTOR	0.22Ω		S5014	QSW1121-001Z	PUSH SW I.M		
R6522	QRE141J-563Y	C RESISTOR	56kΩ 1/4W J		S5015	QSW1121-001Z	PUSH SW I.M		
△ R6523	QRJ146J-100X	UNF C RESISTOR	10Ω 1/4W J		S5016	QSW1121-001Z	PUSH SW I.M		
△ R6524	QRJ146J-100X	UNF C RESISTOR	10Ω 1/4W J		S5017	QSW1121-001Z	PUSH SW I.M		
R6525	QRE141J-202Y	C RESISTOR	2kΩ 1/4W J		S5018	QSW1121-001Z	PUSH SW I.M		
R6526	QRE141J-562Y	C RESISTOR	5.6kΩ 1/4W J		S5019	QSW1121-001Z	PUSH SW I.M		
R6527	QRE141J-473Y	C RESISTOR	47kΩ 1/4W J		S5020	QSW1121-001Z	PUSH SW I.M		
△ R6528	QRJ146J-681X	UNF C RESISTOR	680Ω 1/4W J		S5021	QSW1121-001Z	PUSH SW I.M		
R6529	QRE141J-104Y	C RESISTOR	100kΩ 1/4W J		S5022	QSW1121-001Z	PUSH SW I.M		
R6530	QRE141J-102Y	C RESISTOR	1kΩ 1/4W J		S5023	QSW1121-001Z	PUSH SW I.M		
△ R6531	QRZ0224-R22	EMIT RESISTOR	0.22Ω		S5024	QSW1121-001Z	PUSH SW I.M		
R6532	QRE141J-563Y	C RESISTOR	56kΩ 1/4W J		S5025	QSW1121-001Z	PUSH SW I.M		
△ R6533	QRJ146J-100X	UNF C RESISTOR	10Ω 1/4W J		S5026	QSW1121-001Z	PUSH SW I.M		
R6534	QRJ146J-100X	UNF C RESISTOR	10Ω 1/4W J		S5027	QSW1121-001Z	PUSH SW I.M		
R6535	QRE141J-202Y	C RESISTOR	2kΩ 1/4W J		S5028	QSW1121-001Z	PUSH SW I.M		
R6536	QRE141J-562Y	C RESISTOR	5.6kΩ 1/4W J		S5029	QSW1121-001Z	PUSH SW I.M		
R6537	QRE141J-473Y	C RESISTOR	47kΩ 1/4W J		S5030	QSW1121-001Z	PUSH SW I.M		
△ R6538	QRJ146J-681X	UNF C RESISTOR	680Ω 1/4W J		S5031	QSW1121-001Z	PUSH SW I.M		
R6539	QRE141J-104Y	C RESISTOR	100kΩ 1/4W J		S5032	QSW1121-001Z	PUSH SW I.M		
R6601	QRE141J-222Y	C RESISTOR	2.2kΩ 1/4W J		S5033	QSW1121-001Z	PUSH SW I.M		
R6602	QRE141J-104Y	C RESISTOR	100kΩ 1/4W J		S5034	QSW1121-001Z	PUSH SW I.M		
R6603	QRE141J-103Y	C RESISTOR	10kΩ 1/4W J		SP500	GV40205-004A	IC HOLDER		
R6604	QRE141J-103Y	C RESISTOR	10kΩ 1/4W J						
△ R6605	QRJ146J-470X	UNF C RESISTOR	47Ω 1/4W J						
R6606	QRE141J-103Y	C RESISTOR	10kΩ 1/4W J						
R6607	QRE141J-103Y	C RESISTOR	10kΩ 1/4W J						
△ R6608	QRJ146J-470X	UNF C RESISTOR	47Ω 1/4W J						
R6701	QRE141J-103Y	C RESISTOR	10kΩ 1/4W J						
R6702	QRE141J-104Y	C RESISTOR	100kΩ 1/4W J						
R6703	QRE141J-103Y	C RESISTOR	10kΩ 1/4W J						
R6704	QRE141J-104Y	C RESISTOR	100kΩ 1/4W J						
R6705	QRE141J-103Y	C RESISTOR	10kΩ 1/4W J						
R6706	QRE141J-104Y	C RESISTOR	100kΩ 1/4W J						
R6801	QRE141J-682Y	C RESISTOR	6.8kΩ 1/4W J						
R6802	QRE141J-682Y	C RESISTOR	6.8kΩ 1/4W J						
R6803	QRE141J-682Y	C RESISTOR	6.8kΩ 1/4W J						
R6804	QRE141J-682Y	C RESISTOR	6.8kΩ 1/4W J						
△ R6805	QRJ146J-100X	UNF C RESISTOR	10Ω 1/4W J						
R6806	QRE141J-333Y	C RESISTOR	33kΩ 1/4W J						
R6911	QRE141J-102Y	C RESISTOR	1kΩ 1/4W J						
R6912	QRE141J-563Y	C RESISTOR	56kΩ 1/4W J						
R6921	QRE141J-102Y	C RESISTOR	1kΩ 1/4W J						
R6922	QRE141J-563Y	C RESISTOR	56kΩ 1/4W J						
R6931	QRE141J-102Y	C RESISTOR	1kΩ 1/4W J						
R6932	QRE141J-563Y	C RESISTOR	56kΩ 1/4W J						
L6211	QQLZ035-R39	COIL	0.39uH						
L6221	QQLZ035-R39	COIL	0.39uH						
L6231	QQLZ035-R39	COIL	0.39uH						
L6511	QQLZ035-R39	COIL	0.39uH						
L6521	QQLZ035-R39	COIL	0.39uH						
L6531	QQLZ035-R39	COIL	0.39uH						
CN500	QGF1036F1-19	CONNECTOR	FFC/FPC (1-19)						
CN601	QGB2510K2-20	CONNECTOR	B-B (1-20)						
CN602	QGF1205C1-19	CONNECTOR	FFC/FPC (1-19)						
CN603	QGF1205F1-11	CONNECTOR	FFC/FPC (1-11)						
CN604	QGA2501F1-03	CONNECTOR	W-B (1-3)						
CN651	QGB2510K2-16	CONNECTOR	B-B (1-16)						
CN652	QGF1205C1-08	CONNECTOR	FFC/FPC (1-8)						
CN970	QGB2510J1-04	CONNECTOR	B-B (1-4)						
FL500	QLF0150-001	FL TUBE							
FW500	QUM153-18DGZ4-E	FLAT WIRE							
J970	QNB0262-001	SPK TERMINAL							
S5000	QSW1121-001Z	PUSH SW I.M							
S5001	QSW1121-001Z	PUSH SW I.M							
S5002	QSW1121-001Z	PUSH SW I.M							
S5003	QSW1121-001Z	PUSH SW I.M							
S5004	QSW1121-001Z	PUSH SW I.M							
S5005	QSW1121-001Z	PUSH SW I.M							
S5006	QSW1121-001Z	PUSH SW I.M							
S5007	QSW1121-001Z	PUSH SW I.M							
S5008	QSW1121-001Z	PUSH SW I.M							

## Main board (DX-T7)

Block No. [0][5]

△ Symbol No.	Part No.	Part Name	Description	Local
IC760	SN74AHCT08NS-X	IC		
IC770	MN101C49GFS1	IC	MASK ROM	
IC771	BR24L02F-W-X	IC		
IC800	RC4558D-X	IC		
IC801	RC4558D-X	IC		
IC810	CD4066BM-X	IC		
IC820	LC75342M-X	IC		
IC830	RC4558D-X	IC		
IC850	M65851FP	IC		
IC860	JCV8011-X	IC		
IC870	LC75341M-X	IC		
IC880	LC75341M-X	IC		
IC881	RC4558D-X	IC		
IC901	RC4580ID-X	IC		
Q7000	KTC3199/GLJ-T	TRANSISTOR		
Q7010	KTC3199/GLJ-T	TRANSISTOR		
Q7080	KRC107S-X	DIGI TRANSISTOR		
Q7081	KRC111S-X	TRANSISTOR		
Q7788	KRA102S-X	DIGI TRANSISTOR		
Q7794	KRA102S-X	DIGI TRANSISTOR		
Q7798	KRA102S-X	DIGI TRANSISTOR		
Q8000	2SD2114K/VW/-X	TRANSISTOR		
Q8030	KTC3875/YG/-X	SI TRANSISTOR		
Q8031	KTC3875/YG/-X	SI TRANSISTOR		
Q8032	KTC3875/YG/-X	SI TRANSISTOR		
Q8040	2SD2114K/VW/-X	TRANSISTOR		
Q8070	2SD2114K/VW/-X	TRANSISTOR		
Q8071	2SD2114K/VW/-X	TRANSISTOR		
Q8080	2SD2114K/VW/-X	TRANSISTOR		
Q8081	2SD2114K/VW/-X	TRANSISTOR		
Q8100	2SD2114K/VW/-X	TRANSISTOR		
Q8130	KTC3875/YG/-X	SI TRANSISTOR		
Q8131	KTC3875/YG/-X	SI TRANSISTOR		
Q8132	KTC3875/YG/-X	SI TRANSISTOR		
Q8140	2SD2114K/VW/-X	TRANSISTOR		
Q8170	2SD2114K/VW/-X	TRANSISTOR		
Q8171	2SD2114K/VW/-X	TRANSISTOR		
Q8180	2SD2114K/VW/-X	TRANSISTOR		
Q8211	KRC104S-X	TRANSISTOR		
Q8212	KRC104S-X	TRANSISTOR		



△ Symbol No.	Part No.	Part Name	Description	Local	△ Symbol No.	Part No.	Part Name	Description	Local
Q8260	KTC3199/GLJ-T	TRANSISTOR			C8086	QETN1HM-104Z	E CAPACITOR	0.1uF 50V M	
Q8524	KTC1027/OYJ-T	TRANSISTOR			C8092	NRSA63J-822X	MG RESISTOR	8.2kΩ 1/16W J	
Q8900	KRA104S-X	DIGI TRANSISTOR			C8100	QTE1V06-106Z	E CAPACITOR	10uF 35V	
Q9001	2SD2114K/VWJ-X	TRANSISTOR			C8101	QTE1V06-106Z	E CAPACITOR	10uF 35V	
Q9002	2SD2114K/VWJ-X	TRANSISTOR			C8102	QTE1V06-106Z	E CAPACITOR	10uF 35V	
Q9003	KRC111S-X	TRANSISTOR			C8103	NCS31HJ-151X	C CAPACITOR	150pF 50V J	
Q9004	KTA1504/YGJ-X	SI TRANSISTOR			C8120	QETN1HM-475Z	E CAPACITOR	4.7uF 50V M	
Q9100	KRA111S-X	D. TRANSISTOR			C8121	QETN1HM-475Z	E CAPACITOR	4.7uF 50V M	
Q9101	2SD2114K/VWJ-X	TRANSISTOR			C8122	QETN1HM-475Z	E CAPACITOR	4.7uF 50V M	
Q9102	2SD2114K/VWJ-X	TRANSISTOR			C8123	QETN1HM-475Z	E CAPACITOR	4.7uF 50V M	
Q9103	2SD2114K/VWJ-X	TRANSISTOR			C8125	QTE1H28-106Z	E CAPACITOR	10uF 50V	
Q9104	2SD2114K/VWJ-X	TRANSISTOR			C8126	QFLC1HJ-272Z	M CAPACITOR	2700pF 50V J	
					C8127	QFLC1HJ-104Z	M CAPACITOR	0.1uF 50V J	
D7000	1SS133-T2	SI DIODE			C8128	QFLC1HJ-104Z	M CAPACITOR	0.1uF 50V J	
D7001	1SS133-T2	SI DIODE			C8130	QFLC1HJ-104Z	M CAPACITOR	0.1uF 50V J	
D7010	1SS133-T2	SI DIODE			C8131	QFLC1HJ-104Z	M CAPACITOR	0.1uF 50V J	
D7012	1SS133-T2	SI DIODE			C8132	QTE1C06-226Z	E CAPACITOR	22uF 16V	
D7050	MTZJ5.1B-T2	Z DIODE			C8160	QTE1V06-106Z	E CAPACITOR	10uF 35V	
D7080	1SS133-T2	SI DIODE			C8161	QTE1V06-106Z	E CAPACITOR	10uF 35V	
D7081	MTZJ4.7B-T2	Z DIODE			C8162	QTE1V06-106Z	E CAPACITOR	10uF 35V	
D7082	1SS133-T2	SI DIODE			C8170	QETN1HM-106Z	E CAPACITOR	10uF 50V M	
D7151	1SS133-T2	SI DIODE			C8172	QETN1HM-106Z	E CAPACITOR	10uF 50V M	
D7152	1SS133-T2	SI DIODE			C8173	QETN1HM-104Z	E CAPACITOR	0.1uF 50V M	
D7153	1SS133-T2	SI DIODE			C8174	QETN1HM-105Z	E CAPACITOR	1uF 50V M	
D7154	1SS133-T2	SI DIODE			C8176	QETN1HM-104Z	E CAPACITOR	0.1uF 50V M	
D7155	1SS133-T2	SI DIODE			C8180	QFLC1HJ-123Z	M CAPACITOR	0.012uF 50V J	
D7156	1SS133-T2	SI DIODE			C8181	QFLC1HJ-104Z	M CAPACITOR	0.1uF 50V J	
D7390	1SS133-T2	SI DIODE			C8183	QETN1HM-224Z	E CAPACITOR	0.22uF 50V M	
D7711	1SS133-T2	SI DIODE			C8184	QETN1HM-106Z	E CAPACITOR	10uF 50V M	
D7713	1N4003S-T5	SI DIODE			C8185	QTE1V06-106Z	E CAPACITOR	10uF 35V	
D8230	1SS133-T2	SI DIODE			C8192	NRSA63J-822X	MG RESISTOR	8.2kΩ 1/16W J	
D8524	MTZJ5.6B-T2	Z DIODE			C8202	QETN1HM-106Z	E CAPACITOR	10uF 50V M	
D8900	1SS133-T2	SI DIODE			C8203	QFLC1HJ-223Z	M CAPACITOR	0.022uF 50V J	
D8901	1SS133-T2	SI DIODE			C8204	QFLC1HJ-223Z	M CAPACITOR	0.022uF 50V J	
D9001	1SS133-T2	SI DIODE			C8221	QCB1HK-103Y	C CAPACITOR	0.01uF 50V K	
D9002	1SS133-T2	SI DIODE			C8222	QTE1C06-107Z	E CAPACITOR	100uF 16V	
D9100	MTZJ2.4B-T2	Z DIODE			C8230	QETN1EM-476Z	E CAPACITOR	47uF 25V M	
					C8232	QETN1HM-105Z	E CAPACITOR	1uF 50V M	
C7050	QETN1HM-475Z	E CAPACITOR	4.7uF 50V M		C8233	QFLC1HJ-683Z	M CAPACITOR	0.068uF 50V J	
C7080	NCB31HK-102X	C CAPACITOR	1000pF 50V K		C8261	QETN1EM-476Z	E CAPACITOR	47uF 25V M	
C7082	QETN1HM-475Z	E CAPACITOR	4.7uF 50V M		C8262	QFLC1HJ-223Z	M CAPACITOR	0.022uF 50V J	
C7083	NCB31HK-103X	C CAPACITOR	0.01uF 50V K		C8263	QETN1HM-225Z	E CAPACITOR	2.2uF 50V M	
C7084	QETN0JM-227Z	E CAPACITOR	220uF 6.3V M		C8264	QETN1HM-106Z	E CAPACITOR	10uF 50V M	
C7085	QETN0JM-108Z	E CAPACITOR	1000uF 6.3V M		C8265	QETN1HM-106Z	E CAPACITOR	10uF 50V M	
C7101	QCB1HK-101Y	C CAPACITOR	100pF 50V K		C8266	QETN1HM-475Z	E CAPACITOR	4.7uF 50V M	
C7710	QCB1HK-103Y	C CAPACITOR	0.01uF 50V K		C8267	QETN1EM-336Z	E CAPACITOR	33uF 25V M	
C7711	QETN1CM-107Z	E CAPACITOR	100uF 16V M		C8268	QETN1HM-224Z	E CAPACITOR	0.22uF 50V M	
C7712	NCS31HJ-180X	C CAPACITOR	18pF 50V J		C8269	QTE1H28-106Z	E CAPACITOR	10uF 50V	
C7713	NCS31HJ-180X	C CAPACITOR	18pF 50V J		C8272	QETN1CM-107Z	E CAPACITOR	100uF 16V M	
C7788	QETN1HM-106Z	E CAPACITOR	10uF 50V M		C8282	QETN1CM-107Z	E CAPACITOR	100uF 16V M	
C7794	QETN1EM-476Z	E CAPACITOR	47uF 25V M		C8360	QETN1HM-475Z	E CAPACITOR	4.7uF 50V M	
C7798	QETN1AM-227Z	E CAPACITOR	220uF 10V M		C8361	QETN1HM-475Z	E CAPACITOR	4.7uF 50V M	
C8000	QTE1V06-106Z	E CAPACITOR	10uF 35V		C8362	QETN1HM-474Z	E CAPACITOR	0.47uF 50V M	
C8001	QTE1V06-106Z	E CAPACITOR	10uF 35V		C8363	QETN1EM-476Z	E CAPACITOR	47uF 25V M	
C8002	QTE1V06-106Z	E CAPACITOR	10uF 35V		C8501	QFLC1HJ-152Z	M CAPACITOR	1500pF 50V J	
C8003	NCS31HJ-151X	C CAPACITOR	150pF 50V J		C8503	QFLC1HJ-154Z	M CAPACITOR	0.15uF 50V J	
C8020	QETN1HM-475Z	E CAPACITOR	4.7uF 50V M		C8504	QFLC1HJ-152Z	M CAPACITOR	1500pF 50V J	
C8021	QETN1HM-475Z	E CAPACITOR	4.7uF 50V M		C8506	QETN1HM-225Z	E CAPACITOR	2.2uF 50V M	
C8022	QETN1HM-475Z	E CAPACITOR	4.7uF 50V M		C8508	QFLC1HJ-102Z	M CAPACITOR	1000pF 50V J	
C8023	QETN1HM-475Z	E CAPACITOR	4.7uF 50V M		C8509	QFLC1HJ-332Z	M CAPACITOR	3300pF 50V J	
C8025	QTE1H28-106Z	E CAPACITOR	10uF 50V		C8512	QETN1HM-225Z	E CAPACITOR	2.2uF 50V M	
C8026	QFLC1HJ-272Z	M CAPACITOR	2700pF 50V J		C8513	QETN1HM-105Z	E CAPACITOR	1uF 50V M	
C8027	QFLC1HJ-104Z	M CAPACITOR	0.1uF 50V J		C8514	QFLC1HJ-102Z	M CAPACITOR	1000pF 50V J	
C8028	QFLC1HJ-104Z	M CAPACITOR	0.1uF 50V J		C8515	QFLC1HJ-472Z	M CAPACITOR	4700pF 50V J	
C8030	QFLC1HJ-104Z	M CAPACITOR	0.1uF 50V J		C8516	QFLC1HJ-683Z	M CAPACITOR	0.068uF 50V J	
C8031	QFLC1HJ-104Z	M CAPACITOR	0.1uF 50V J		C8517	QFLC1HJ-104Z	M CAPACITOR	0.1uF 50V J	
C8032	QTE1C06-226Z	E CAPACITOR	22uF 16V		C8518	QFLC1HJ-104Z	M CAPACITOR	0.1uF 50V J	
C8060	QTE1V06-106Z	E CAPACITOR	10uF 35V		C8520	QFLC1HJ-683Z	M CAPACITOR	0.068uF 50V J	
C8061	QTE1V06-106Z	E CAPACITOR	10uF 35V		C8522	QETN1EM-476Z	E CAPACITOR	47uF 25V M	
C8062	QTE1V06-106Z	E CAPACITOR	10uF 35V		C8523	QFLC1HJ-104Z	M CAPACITOR	0.1uF 50V J	
C8070	QETN1HM-106Z	E CAPACITOR	10uF 50V M		C8524	QETN1CM-107Z	E CAPACITOR	100uF 16V M	
C8072	QETN1HM-106Z	E CAPACITOR	10uF 50V M		C8525	QETN1CM-107Z	E CAPACITOR	100uF 16V M	
C8074	QETN1HM-105Z	E CAPACITOR	1uF 50V M		C8530	QFLC1HJ-104Z	M CAPACITOR	0.1uF 50V J	
C8076	QETN1HM-104Z	E CAPACITOR	0.1uF 50V M		C8539	QETN1HM-104Z	E CAPACITOR	0.1uF 50V M	
C8080	QETN1HM-106Z	E CAPACITOR	10uF 50V M		C8540	QFLC1HJ-102Z	M CAPACITOR	1000pF 50V J	
C8082	QETN1HM-104Z	E CAPACITOR	0.1uF 50V M		C8541	QFLC1HJ-472Z	M CAPACITOR	4700pF 50V J	
C8083	QETN1HM-104Z	E CAPACITOR	0.1uF 50V M		C8542	QFLC1HJ-683Z	M CAPACITOR	0.068uF 50V J	
C8084	QETN1HM-105Z	E CAPACITOR	1uF 50V M		C8544	QFLC1HJ-104Z	M CAPACITOR	0.1uF 50V J	

△ Symbol No.	Part No.	Part Name	Description	Local	△ Symbol No.	Part No.	Part Name	Description	Local
C8545	QFLC1HJ-104Z	M CAPACITOR	0.1uF 50V J		R7707	NRSA63J-222X	MG RESISTOR	2.2kΩ 1/16W J	
C8546	QFLC1HJ-683Z	M CAPACITOR	0.068uF 50V J		R7708	NRSA63J-222X	MG RESISTOR	2.2kΩ 1/16W J	
C8548	QFLC1HJ-102Z	M CAPACITOR	1000pF 50V J		R7709	NRSA63J-103X	MG RESISTOR	10kΩ 1/16W J	
C8550	QFLC1HJ-472Z	M CAPACITOR	4700pF 50V J		R7715	NRSA63J-103X	MG RESISTOR	10kΩ 1/16W J	
C8551	QETN1HM-105Z	E CAPACITOR	1uF 50V M		R7717	NRSA63J-103X	MG RESISTOR	10kΩ 1/16W J	
C8553	QETN1HM-106Z	E CAPACITOR	10uF 50V M		R7718	QRE141J-102Y	C RESISTOR	1kΩ 1/4W J	
C8554	QFLC1HJ-104Z	M CAPACITOR	0.1uF 50V J		R7719	QRE141J-102Y	C RESISTOR	1kΩ 1/4W J	
C8555	QETN1CM-107Z	E CAPACITOR	100uF 16V M		R7720	QRE141J-102Y	C RESISTOR	1kΩ 1/4W J	
C8572	QFLC1HJ-223Z	M CAPACITOR	0.022uF 50V J		R7721	NRSA63J-122X	MG RESISTOR	1.2kΩ 1/16W J	
C8574	QTE1V06-106Z	E CAPACITOR	10uF 35V		R7722	NRSA63J-122X	MG RESISTOR	1.2kΩ 1/16W J	
C8575	QTE1V06-106Z	E CAPACITOR	10uF 35V		R7723	NRSA63J-122X	MG RESISTOR	1.2kΩ 1/16W J	
C8576	QFLC1HJ-154Z	M CAPACITOR	0.15uF 50V J		R7724	NRSA63J-122X	MG RESISTOR	1.2kΩ 1/16W J	
C8577	QETN1HM-104Z	E CAPACITOR	0.1uF 50V M		R7725	NRSA63J-122X	MG RESISTOR	1.2kΩ 1/16W J	
C8578	QETN1HM-105Z	E CAPACITOR	1uF 50V M		R7726	NRSA63J-101X	MG RESISTOR	100Ω 1/16W J	
C8579	QETN1HM-105Z	E CAPACITOR	1uF 50V M		R7728	NRSA63J-222X	MG RESISTOR	2.2kΩ 1/16W J	
C8580	QFLC1HJ-154Z	M CAPACITOR	0.15uF 50V J		R7731	NRSA63J-222X	MG RESISTOR	2.2kΩ 1/16W J	
C8900	QETN1HM-105Z	E CAPACITOR	1uF 50V M		R7732	NRSA63J-103X	MG RESISTOR	10kΩ 1/16W J	
C8902	QETN1HM-106Z	E CAPACITOR	10uF 50V M		R7735	NRSA63J-102X	MG RESISTOR	1kΩ 1/16W J	
C8903	QETN1HM-106Z	E CAPACITOR	10uF 50V M		R7737	NRSA63J-102X	MG RESISTOR	1kΩ 1/16W J	
C9000	NCB21HK-473X	C CAPACITOR	0.047uF 50V K		R7738	NRSA63J-102X	MG RESISTOR	1kΩ 1/16W J	
C9001	QETN1HM-104Z	E CAPACITOR	0.1uF 50V M		R7739	NRSA63J-102X	MG RESISTOR	1kΩ 1/16W J	
C9002	NCS31HJ-681X	C CAPACITOR	680pF 50V J		R7740	NRSA63J-102X	MG RESISTOR	1kΩ 1/16W J	
C9003	QEKC1HM-105Z	E CAPACITOR	1uF 50V M		R7742	NRSA63J-102X	MG RESISTOR	1kΩ 1/16W J	
C9004	QEKC1HM-104Z	E CAPACITOR	0.1uF 50V M		R7743	NRSA63J-102X	MG RESISTOR	1kΩ 1/16W J	
C9005	QEKC1HM-335Z	E CAPACITOR	3.3uF 50V M		R7744	NRSA63J-102X	MG RESISTOR	1kΩ 1/16W J	
C9006	QETN1EM-336Z	E CAPACITOR	33uF 25V M		R7745	NRSA63J-103X	MG RESISTOR	10kΩ 1/16W J	
C9007	QEKC1HM-104Z	E CAPACITOR	0.1uF 50V M		R7746	NRSA63J-102X	MG RESISTOR	1kΩ 1/16W J	
C9008	QETN1HM-104Z	E CAPACITOR	0.1uF 50V M		R7747	NRSA63J-0R0X	MG RESISTOR	0Ω 1/16W J	
C9009	QETN1EM-476Z	E CAPACITOR	47uF 25V M		R7748	NRSA63J-102X	MG RESISTOR	1kΩ 1/16W J	
C9010	QEKC1CM-107Z	E CAPACITOR	100uF 16V M		R7749	NRSA63J-102X	MG RESISTOR	1kΩ 1/16W J	
C9021	NCB31HK-102X	C CAPACITOR	1000pF 50V K		R7751	QRE141J-222Y	C RESISTOR	2.2kΩ 1/4W J	
C9022	NCB31HK-102X	C CAPACITOR	1000pF 50V K		R7752	QRE141J-222Y	C RESISTOR	2.2kΩ 1/4W J	
C9100	QDGB1HK-102Y	C CAPACITOR	1000pF 50V K		R7756	NRSA63J-102X	MG RESISTOR	1kΩ 1/16W J	
C9101	QDGB1HK-102Y	C CAPACITOR	1000pF 50V K		R7759	NRSA63J-222X	MG RESISTOR	2.2kΩ 1/16W J	
C9102	QDGB1HK-102Y	C CAPACITOR	1000pF 50V K		R7760	NRSA63J-222X	MG RESISTOR	2.2kΩ 1/16W J	
C9103	QDXB1CM-392Y	C CAPACITOR	3900pF 16V M		R7761	NRSA63J-222X	MG RESISTOR	2.2kΩ 1/16W J	
C9104	QDXB1CM-392Y	C CAPACITOR	3900pF 16V M		R7762	NRSA63J-222X	MG RESISTOR	2.2kΩ 1/16W J	
C9105	QDGB1HK-102Y	C CAPACITOR	1000pF 50V K		R7763	NRSA63J-102X	MG RESISTOR	1kΩ 1/16W J	
					R7764	NRSA63J-102X	MG RESISTOR	1kΩ 1/16W J	
R7000	QRE141J-222Y	C RESISTOR	2.2kΩ 1/4W J		R7765	NRSA63J-0R0X	MG RESISTOR	0Ω 1/16W J	
R7001	QRL01DJ-151X	OMF RESISTOR	150Ω 1W J		R7766	NRSA63J-0R0X	MG RESISTOR	0Ω 1/16W J	
R7002	QRL01DJ-151X	OMF RESISTOR	150Ω 1W J		R7767	NRSA63J-222X	MG RESISTOR	2.2kΩ 1/16W J	
R7003	QRL01DJ-151X	OMF RESISTOR	150Ω 1W J		R7768	NRSA63J-222X	MG RESISTOR	2.2kΩ 1/16W J	
R7004	QRL01DJ-151X	OMF RESISTOR	150Ω 1W J		R7769	NRSA63J-102X	MG RESISTOR	1kΩ 1/16W J	
R7005	QRL01DJ-151X	OMF RESISTOR	150Ω 1W J		R7770	NRSA63J-102X	MG RESISTOR	1kΩ 1/16W J	
R7006	QRL01DJ-151X	OMF RESISTOR	150Ω 1W J		R7771	QRE141J-104Y	C RESISTOR	100kΩ 1/4W J	
R7010	QRE141J-222Y	C RESISTOR	2.2kΩ 1/4W J		R7772	QRE141J-222Y	C RESISTOR	2.2kΩ 1/4W J	
R7011	QRL01DJ-151X	OMF RESISTOR	150Ω 1W J		R7773	QRE141J-222Y	C RESISTOR	2.2kΩ 1/4W J	
R7012	QRL01DJ-151X	OMF RESISTOR	150Ω 1W J		R7774	QRE141J-102Y	C RESISTOR	1kΩ 1/4W J	
R7013	QRL01DJ-151X	OMF RESISTOR	150Ω 1W J		R7775	NRSA63J-222X	MG RESISTOR	2.2kΩ 1/16W J	
R7014	QRL01DJ-151X	OMF RESISTOR	150Ω 1W J		R7776	NRSA63J-222X	MG RESISTOR	2.2kΩ 1/16W J	
R7015	QRL01DJ-151X	OMF RESISTOR	150Ω 1W J		R7777	NRSA63J-102X	MG RESISTOR	1kΩ 1/16W J	
R7016	QRL01DJ-151X	OMF RESISTOR	150Ω 1W J		R7778	NRSA63J-222X	MG RESISTOR	2.2kΩ 1/16W J	
R7050	QRE141J-563Y	C RESISTOR	56kΩ 1/4W J		R7779	NRSA63J-222X	MG RESISTOR	2.2kΩ 1/16W J	
R7080	NRSA63J-223X	MG RESISTOR	22kΩ 1/16W J		R7780	NRSA63J-222X	MG RESISTOR	2.2kΩ 1/16W J	
R7081	NRSA63J-103X	MG RESISTOR	10kΩ 1/16W J		R7781	NRSA63J-222X	MG RESISTOR	2.2kΩ 1/16W J	
R7082	NRSA63J-102X	MG RESISTOR	1kΩ 1/16W J		R7786	NRSA63J-222X	MG RESISTOR	2.2kΩ 1/16W J	
R7083	NRSA63J-222X	MG RESISTOR	2.2kΩ 1/16W J		R7788	NRSA63J-222X	MG RESISTOR	2.2kΩ 1/16W J	
R7084	NRSA63J-681X	MG RESISTOR	680Ω 1/16W J		R7789	NRSA63J-222X	MG RESISTOR	2.2kΩ 1/16W J	
R7085	NRSA63J-681X	MG RESISTOR	680Ω 1/16W J		R7790	NRSA63J-102X	MG RESISTOR	1kΩ 1/16W J	
R7151	QRE141J-123Y	C RESISTOR	12kΩ 1/4W J		R7791	NRSA63J-102X	MG RESISTOR	1kΩ 1/16W J	
R7152	QRE141J-123Y	C RESISTOR	12kΩ 1/4W J		R7792	NRSA63J-102X	MG RESISTOR	1kΩ 1/16W J	
R7153	QRE141J-123Y	C RESISTOR	12kΩ 1/4W J		R7794	NRSA63J-222X	MG RESISTOR	2.2kΩ 1/16W J	
R7154	QRE141J-123Y	C RESISTOR	12kΩ 1/4W J		R7796	NRSA63J-222X	MG RESISTOR	2.2kΩ 1/16W J	
R7155	QRE141J-123Y	C RESISTOR	12kΩ 1/4W J		R7797	NRSA63J-102X	MG RESISTOR	1kΩ 1/16W J	
R7156	QRE141J-123Y	C RESISTOR	12kΩ 1/4W J		R7798	NRSA63J-102X	MG RESISTOR	1kΩ 1/16W J	
R7200	NRSA63J-273X	MG RESISTOR	27kΩ 1/16W J		R7803	NRSA63J-103X	MG RESISTOR	10kΩ 1/16W J	
R7251	QRE141J-222Y	C RESISTOR	2.2kΩ 1/4W J		R7804	NRSA63J-103X	MG RESISTOR	10kΩ 1/16W J	
R7252	QRE141J-222Y	C RESISTOR	2.2kΩ 1/4W J		R7805	NRSA63J-103X	MG RESISTOR	10kΩ 1/16W J	
R7253	QRE141J-222Y	C RESISTOR	2.2kΩ 1/4W J		R7806	NRSA63J-103X	MG RESISTOR	10kΩ 1/16W J	
R7254	QRE141J-272Y	C RESISTOR	2.7kΩ 1/4W J		R7807	NRSA63J-103X	MG RESISTOR	10kΩ 1/16W J	
R7255	QRE141J-272Y	C RESISTOR	2.7kΩ 1/4W J		R7808	NRSA63J-103X	MG RESISTOR	10kΩ 1/16W J	
R7256	QRE141J-272Y	C RESISTOR	2.7kΩ 1/4W J		R7809	NRSA63J-273X	MG RESISTOR	27kΩ 1/16W J	UW
R7702	NRSA63J-222X	MG RESISTOR	2.2kΩ 1/16W J		R7809	NRSA63J-153X	MG RESISTOR	15kΩ 1/16W J	UG,UX
R7703	NRSA63J-102X	MG RESISTOR	1kΩ 1/16W J		R7821	NRSA63J-222X	MG RESISTOR	2.2kΩ 1/16W J	
R7704	NRSA63J-102X	MG RESISTOR	1kΩ 1/16W J		R7823	NRSA63J-222X	MG RESISTOR	2.2kΩ 1/16W J	
R7705	NRSA63J-102X	MG RESISTOR	1kΩ 1/16W J		R7824	NRSA63J-222X	MG RESISTOR	2.2kΩ 1/16W J	
R7706	NRSA63J-102X	MG RESISTOR	1kΩ 1/16W J		R7825	NRSA63J-222X	MG RESISTOR	2.2kΩ 1/16W J	

△ Symbol No.	Part No.	Part Name	Description	Local	△ Symbol No.	Part No.	Part Name	Description	Local
R7852	NRSA63J-104X	MG RESISTOR	100kΩ 1/16W J		R8172	NRSA63J-103X	MG RESISTOR	10kΩ 1/16W J	
R7867	NRSA63J-103X	MG RESISTOR	10kΩ 1/16W J		R8173	NRSA63J-103X	MG RESISTOR	10kΩ 1/16W J	
R7871	NRSA63J-104X	MG RESISTOR	100kΩ 1/16W J		R8174	NRSA63J-102X	MG RESISTOR	1kΩ 1/16W J	
R7875	NRSA63J-104X	MG RESISTOR	100kΩ 1/16W J		R8175	NRSA63J-103X	MG RESISTOR	10kΩ 1/16W J	
R7876	NRSA63J-103X	MG RESISTOR	10kΩ 1/16W J		R8180	NRSA63J-223X	MG RESISTOR	22kΩ 1/16W J	
R7878	NRSA63J-104X	MG RESISTOR	100kΩ 1/16W J		R8182	NRSA63J-163X	MG RESISTOR	16kΩ 1/16W J	
R7879	NRSA63J-103X	MG RESISTOR	10kΩ 1/16W J		R8183	NRSA63J-223X	MG RESISTOR	22kΩ 1/16W J	
R7881	QRE141J-103Y	C RESISTOR	10kΩ 1/4W J		R8184	NRSA63J-0R0X	MG RESISTOR	0Ω 1/16W J	
R7886	NRSA63J-103X	MG RESISTOR	10kΩ 1/16W J		R8186	NRSA63J-103X	MG RESISTOR	10kΩ 1/16W J	
R7892	NRSA63J-103X	MG RESISTOR	10kΩ 1/16W J		R8187	NRSA63J-102X	MG RESISTOR	1kΩ 1/16W J	
R7897	NRSA63J-103X	MG RESISTOR	10kΩ 1/16W J		R8189	NRSA63J-104X	MG RESISTOR	100kΩ 1/16W J	
R7899	NRSA63J-103X	MG RESISTOR	10kΩ 1/16W J		R8190	QRE141J-153Y	C RESISTOR	15kΩ 1/4W J	
R8000	NRSA63J-473X	MG RESISTOR	47kΩ 1/16W J		R8191	QRE141J-154Y	C RESISTOR	150kΩ 1/4W J	
R8001	NRSA63J-473X	MG RESISTOR	47kΩ 1/16W J		R8192	NRSA63J-133X	MG RESISTOR	13kΩ 1/16W J	
R8002	NRSA63J-223X	MG RESISTOR	22kΩ 1/16W J		R8193	NRSA63J-101X	MG RESISTOR	100Ω 1/16W J	
R8003	NRSA63J-223X	MG RESISTOR	22kΩ 1/16W J		R8194	NRSA63J-303X	MG RESISTOR	30kΩ 1/16W J	
R8004	NRSA63J-222X	MG RESISTOR	2.2kΩ 1/16W J		R8195	NRSA63J-0R0X	MG RESISTOR	0Ω 1/16W J	
R8005	NRSA63J-103X	MG RESISTOR	10kΩ 1/16W J		R8202	NRSA63J-103X	MG RESISTOR	10kΩ 1/16W J	
R8006	NRSA63J-103X	MG RESISTOR	10kΩ 1/16W J		R8203	NRSA63J-223X	MG RESISTOR	22kΩ 1/16W J	
R8007	NRSA63J-223X	MG RESISTOR	22kΩ 1/16W J		R8204	NRSA63J-223X	MG RESISTOR	22kΩ 1/16W J	
R8020	NRSA63J-392X	MG RESISTOR	3.9kΩ 1/16W J		R8205	NRSA63J-243X	MG RESISTOR	24kΩ 1/16W J	
R8021	NRSA63J-104X	MG RESISTOR	100kΩ 1/16W J		R8206	NRSA63J-103X	MG RESISTOR	10kΩ 1/16W J	
R8030	NRSA63J-472X	MG RESISTOR	4.7kΩ 1/16W J		R8211	NRSA63J-223X	MG RESISTOR	22kΩ 1/16W J	
R8031	NRSA63J-332X	MG RESISTOR	3.3kΩ 1/16W J		R8212	NRSA63J-103X	MG RESISTOR	10kΩ 1/16W J	
R8032	NRSA63J-123X	MG RESISTOR	12kΩ 1/16W J		R8223	NRSA63J-0R0X	MG RESISTOR	0Ω 1/16W J	
R8033	NRSA63J-114X	MG RESISTOR	110kΩ 1/16W J		R8224	NRSA63J-0R0X	MG RESISTOR	0Ω 1/16W J	
R8034	NRSA63J-473X	MG RESISTOR	47kΩ 1/16W J		R8225	NRSA63J-0R0X	MG RESISTOR	0Ω 1/16W J	
R8035	NRSA63J-101X	MG RESISTOR	100Ω 1/16W J		R8230	NRSA63J-752X	MG RESISTOR	7.5kΩ 1/16W J	
R8036	NRSA63J-101X	MG RESISTOR	100Ω 1/16W J		R8231	NRSA63J-302X	MG RESISTOR	3kΩ 1/16W J	
R8042	NRSA63J-392X	MG RESISTOR	3.9kΩ 1/16W J		R8232	QRE141J-753Y	C RESISTOR	75kΩ 1/4W J	
R8043	NRSA63J-103X	MG RESISTOR	10kΩ 1/16W J		R8235	NRSA63J-224X	MG RESISTOR	220kΩ 1/16W J	
R8046	NRSA63J-393X	MG RESISTOR	39kΩ 1/16W J		R8260	NRSA63J-474X	MG RESISTOR	470kΩ 1/16W J	
R8060	QRE141J-472Y	C RESISTOR	4.7kΩ 1/4W J		R8261	NRSA63J-474X	MG RESISTOR	470kΩ 1/16W J	
R8061	NRSA63J-103X	MG RESISTOR	10kΩ 1/16W J		R8262	NRSA63J-101X	MG RESISTOR	100Ω 1/16W J	
R8062	NRSA63J-103X	MG RESISTOR	10kΩ 1/16W J		R8263	NRSA63J-475X	MG RESISTOR	4.7MΩ 1/16W J	
R8070	NRSA63J-102X	MG RESISTOR	1kΩ 1/16W J		R8264	NRSA63J-153X	MG RESISTOR	15kΩ 1/16W J	
R8071	NRSA63J-103X	MG RESISTOR	10kΩ 1/16W J		R8265	NRSA63J-562X	MG RESISTOR	5.6kΩ 1/16W J	
R8072	NRSA63J-103X	MG RESISTOR	10kΩ 1/16W J		R8266	NRSA63J-472X	MG RESISTOR	4.7kΩ 1/16W J	
R8073	NRSA63J-103X	MG RESISTOR	10kΩ 1/16W J		R8267	NRSA63J-104X	MG RESISTOR	100kΩ 1/16W J	
R8074	NRSA63J-102X	MG RESISTOR	1kΩ 1/16W J		R8268	NRSA63J-622X	MG RESISTOR	6.2kΩ 1/16W J	
R8075	NRSA63J-103X	MG RESISTOR	10kΩ 1/16W J		R8269	QRE141J-222Y	C RESISTOR	2.2kΩ 1/4W J	
R8080	NRSA63J-102X	MG RESISTOR	1kΩ 1/16W J		R8293	QRE141J-393Y	C RESISTOR	39kΩ 1/4W J	
R8081	NRSA63J-103X	MG RESISTOR	10kΩ 1/16W J		R8335	NRSA63J-224X	MG RESISTOR	220kΩ 1/16W J	
R8082	NRSA63J-103X	MG RESISTOR	10kΩ 1/16W J		R8507	NRSA63J-104X	MG RESISTOR	100kΩ 1/16W J	
R8083	NRSA63J-103X	MG RESISTOR	10kΩ 1/16W J		R8508	NRSA63J-243X	MG RESISTOR	24kΩ 1/16W J	
R8084	NRSA63J-102X	MG RESISTOR	1kΩ 1/16W J		R8509	NRSA63J-243X	MG RESISTOR	24kΩ 1/16W J	
R8085	NRSA63J-103X	MG RESISTOR	10kΩ 1/16W J		R8510	NRSA63J-243X	MG RESISTOR	24kΩ 1/16W J	
R8090	QRE141J-153Y	C RESISTOR	15kΩ 1/4W J		R8511	NRSA63J-243X	MG RESISTOR	24kΩ 1/16W J	
R8091	QRE141J-154Y	C RESISTOR	150kΩ 1/4W J		R8512	NRSA63J-243X	MG RESISTOR	24kΩ 1/16W J	
R8092	NRSA63J-133X	MG RESISTOR	13kΩ 1/16W J		R8513	NRSA63J-243X	MG RESISTOR	24kΩ 1/16W J	
R8093	NRSA63J-101X	MG RESISTOR	100Ω 1/16W J		R8514	NRSA63J-243X	MG RESISTOR	24kΩ 1/16W J	
R8094	NRSA63J-303X	MG RESISTOR	30kΩ 1/16W J		R8521	NRSA63J-243X	MG RESISTOR	24kΩ 1/16W J	
R8095	NRSA63J-0R0X	MG RESISTOR	0Ω 1/16W J		R8523	QRZ9006-4R7X	F.RESISTOR	4.7Ω 1/4W J	
R8100	NRSA63J-473X	MG RESISTOR	47kΩ 1/16W J		R8524	QRE141J-561Y	C RESISTOR	560kΩ 1/4W J	
R8101	NRSA63J-473X	MG RESISTOR	47kΩ 1/16W J		R8529	NRSA63J-113X	MG RESISTOR	11kΩ 1/16W J	
R8102	NRSA63J-223X	MG RESISTOR	22kΩ 1/16W J		R8539	QRE141J-822Y	C RESISTOR	8.2kΩ 1/4W J	
R8103	NRSA63J-223X	MG RESISTOR	22kΩ 1/16W J		R8551	NRSA63J-223X	MG RESISTOR	22kΩ 1/16W J	
R8104	NRSA63J-222X	MG RESISTOR	2.2kΩ 1/16W J		R8574	NRSA63J-223X	MG RESISTOR	22kΩ 1/16W J	
R8105	NRSA63J-103X	MG RESISTOR	10kΩ 1/16W J		R8575	NRSA63J-223X	MG RESISTOR	22kΩ 1/16W J	
R8106	NRSA63J-103X	MG RESISTOR	10kΩ 1/16W J		R8578	NRSA63J-681X	MG RESISTOR	680Ω 1/16W J	
R8107	NRSA63J-223X	MG RESISTOR	22kΩ 1/16W J		R8579	NRSA63J-103X	MG RESISTOR	10kΩ 1/16W J	
R8120	NRSA63J-392X	MG RESISTOR	3.9kΩ 1/16W J		R8888	NRSA63J-0R0X	MG RESISTOR	0Ω 1/16W J	
R8121	NRSA63J-104X	MG RESISTOR	100kΩ 1/16W J		R8900	QRE141J-102Y	C RESISTOR	1kΩ 1/4W J	
R8130	NRSA63J-472X	MG RESISTOR	4.7kΩ 1/16W J		R9000	NRSA63J-103X	MG RESISTOR	10kΩ 1/16W J	
R8131	NRSA63J-332X	MG RESISTOR	3.3kΩ 1/16W J		R9001	NRSA63J-104X	MG RESISTOR	100kΩ 1/16W J	
R8132	NRSA63J-123X	MG RESISTOR	12kΩ 1/16W J		R9002	NRSA63J-102X	MG RESISTOR	1kΩ 1/16W J	
R8133	NRSA63J-114X	MG RESISTOR	110kΩ 1/16W J		R9003	NRSA63J-124X	MG RESISTOR	120kΩ 1/16W J	
R8134	NRSA63J-473X	MG RESISTOR	47kΩ 1/16W J		R9004	NRSA63J-222X	MG RESISTOR	2.2kΩ 1/16W J	
R8135	NRSA63J-101X	MG RESISTOR	100Ω 1/16W J		R9005	NRSA63J-102X	MG RESISTOR	1kΩ 1/16W J	
R8136	NRSA63J-101X	MG RESISTOR	100Ω 1/16W J		R9006	NRSA63J-103X	MG RESISTOR	10kΩ 1/16W J	
R8142	NRSA63J-392X	MG RESISTOR	3.9kΩ 1/16W J		R9007	NRSA63J-104X	MG RESISTOR	100kΩ 1/16W J	
R8143	NRSA63J-103X	MG RESISTOR	10kΩ 1/16W J		R9008	NRSA63J-102X	MG RESISTOR	1kΩ 1/16W J	
R8146	NRSA63J-393X	MG RESISTOR	39kΩ 1/16W J		R9009	NRSA63J-473X	MG RESISTOR	47kΩ 1/16W J	
R8160	QRE141J-472Y	C RESISTOR	4.7kΩ 1/4W J		R9010	NRSA63J-473X	MG RESISTOR	47kΩ 1/16W J	
R8161	NRSA63J-103X	MG RESISTOR	10kΩ 1/16W J		R9011	NRSA63J-473X	MG RESISTOR	47kΩ 1/16W J	
R8162	NRSA63J-103X	MG RESISTOR	10kΩ 1/16W J		R9012	NRSA63J-473X	MG RESISTOR	47kΩ 1/16W J	
R8170	NRSA63J-102X	MG RESISTOR	1kΩ 1/16W J		R9013	NRSA63J-103X	MG RESISTOR	10kΩ 1/16W J	
R8171	NRSA63J-103X	MG RESISTOR	10kΩ 1/16W J		R9014	NRSA63J-103X	MG RESISTOR	10kΩ 1/16W J	

△ Symbol No.	Part No.	Part Name	Description	Local	△ Symbol No.	Part No.	Part Name	Description	Local
R9015	QRE141J-221Y	C RESISTOR	220Ω 1/4W J		D1014	MTZJ18B-T2	Z DIODE		
R9017	NRSA63J-104X	MG RESISTOR	100kΩ 1/16W J		D1015	1N4003S-T5	SI DIODE		
R9021	NRSA63J-472X	MG RESISTOR	4.7kΩ 1/16W J		D1016	1N4003S-T5	SI DIODE		
R9022	NRSA63J-472X	MG RESISTOR	4.7kΩ 1/16W J		D1017	1N4003S-T5	SI DIODE		
R9101	NRSA63J-472X	MG RESISTOR	4.7kΩ 1/16W J		△ D2001	6A10E2	SI DIODE		
R9102	NRSA63J-472X	MG RESISTOR	4.7kΩ 1/16W J		△ D2002	6A10E2	SI DIODE		
R9103	NRSA63J-472X	MG RESISTOR	4.7kΩ 1/16W J		△ D2003	6A10E2	SI DIODE		
R9104	NRSA63J-472X	MG RESISTOR	4.7kΩ 1/16W J		△ D2004	6A10E2	SI DIODE		
VR901	QVQ0306-B24	V RESISTOR			D2008	2A02-M	DIODE		
L9100	QQL231K-2R2Y	COIL	2.2uH K		D2009	MTZJ5.1C-T2	Z DIODE		
L9101	QQL231K-470Y	COIL	47uH K		D2013	1SS133-T2	SI DIODE		
L9102	QQL231K-470Y	COIL	47uH K		D9300	2A02-M	DIODE		
CN720	QGF1036C1-19	CONNECTOR	FFC/FPC (1-19)		D9301	MTZJ3.3B-T2	Z DIODE		
CN730	QGF1205C1-25	CONNECTOR	FFC/FPC (1-25)		D9302	MTZJ2.0A-T2	Z DIODE		
CN740	QGF1205F1-05	CONNECTOR	FFC/FPC (1-5)		D9303	MTZJ3.9B-T2	Z DIODE		
CN750	QGF1205F1-11	CONNECTOR	FFC/FPC (1-11)		D9310	MTZJ3.0B-T2	Z DIODE		
CN760	QGF1205C1-08	CONNECTOR	FFC/FPC (1-8)		D9311	1N4003S-T5	SI DIODE		
CN788	QGF1205C1-05	CONNECTOR	FFC/FPC (1-5)		D9312	1N4003S-T5	SI DIODE		
CN799	QGF1210G1-06	CONNECTOR	FFC/FPC (1-6)		D9313	1N4003S-T5	SI DIODE		
CN800	QGF1036C1-10	CONNECTOR	FFC/FPC (1-10)		C1002	QETN1HM-226Z	E CAPACITOR	22uF 50V M	
CN810	QGF1036C1-08	CONNECTOR	FFC/FPC (1-8)		C1003	QETN1HM-226Z	E CAPACITOR	22uF 50V M	
CN820	QGF1205C1-08	CONNECTOR	FFC/FPC (1-8)		C1004	QDYB1CM-103Y	C CAPACITOR	0.01uF 16V M	
CN830	QGF1205C1-19	CONNECTOR	FFC/FPC (1-19)		C1005	QETN1HM-106Z	E CAPACITOR	10uF 50V M	
CN850	QGB2510J1-13	CONNECTOR	B-B (1-13)		C1010	QFLC1HJ-104Z	M CAPACITOR	0.1uF 50V J	
CN860	QGB2510K2-04	CONNECTOR	B-B (1-4)		C1011	QFLC1HJ-104Z	M CAPACITOR	0.1uF 50V J	
CN901	QGF1205F1-05	CONNECTOR	FFC/FPC (1-5)		C1012	QFLC1HJ-104Z	M CAPACITOR	0.1uF 50V J	
FW910	QUM153-21DGZ4-E	FLAT WIRE			C1013	QFKC2EK-104Z	MM CAPACITOR	0.1uF 250V K	
J700	QNB0261-002	SPK TERMINAL			C1014	QFKC2EK-104Z	MM CAPACITOR	0.1uF 250V K	
J800	QNN0732-001	AUX JACK			C1015	QFKC2EK-103Z	MM CAPACITOR	0.01uF 250V K	
J901	QNS0252-001	MIC JACK			C1016	QETN2AM-476Z	E CAPACITOR	47uF 100V M	
J902	QNS0252-001	MIC JACK			C1017	QETN1HM-107Z	E CAPACITOR	100uF 50V M	
J910	QNS0170-001	HEADPHONE JACK			C2000	QEZ0706-478	E CAPACITOR	4700uF	
K8000	NRSA63J-0R0X	MG RESISTOR	0Ω 1/16W J		C2004	QEZ0706-478	E CAPACITOR	4700uF	
K8001	NRSA63J-0R0X	MG RESISTOR	0Ω 1/16W J		C2005	QFLC2AJ-103Z	M CAPACITOR	0.01uF 100V J	
K9100	QQR0621-001Z	FERRITE BEADS			C2006	QETM1HM-338	E CAPACITOR	3300uF 50V M	
RY712	QSK0109-001	RELAY			C2007	QFLC2AJ-103Z	M CAPACITOR	0.01uF 100V J	
RY734	QSK0109-001	RELAY			C2008	QETM1HM-338	E CAPACITOR	3300uF 50V M	
RY756	QSK0109-001	RELAY			C2009	QFKC2EK-104Z	MM CAPACITOR	0.1uF 250V K	
RY767	QSK0109-001	RELAY			C2010	QCBB1HK-103Y	C CAPACITOR	0.01uF 50V K	
X7700	QAX0711-002Z	CRYSTAL	8.000000MHz		C2011	QCBB1HK-221Y	C CAPACITOR	220pF 50V K	

## Primary board (DX-T7)

Block No. [0][6]

△ Symbol No.	Part No.	Part Name	Description	Local
IC920	BH7868FS-X	IC		
IC930	GP1FAV30TK0F	OPTICAL JACK		
△ Q1000	KTC2026/Y/	TRANSISTOR		
Q1001	KTC3203/OY/-T	TRANSISTOR		
△ Q2007	KTA1046/Y/	TRANSISTOR		
Q2008	KTC3199/GL/-T	TRANSISTOR		
Q2009	KTC3199/GL/-T	TRANSISTOR		
Q9300	KRA110M-T	TRANSISTOR		
Q9301	KRC110M-T	TRANSISTOR		
Q9303	KTC3199/GL/-T	TRANSISTOR		
△ D1000	1N5402M-20	DIODE		
△ D1001	1N5402M-20	DIODE		
△ D1002	1N5402M-20	DIODE		
△ D1003	1N5402M-20	DIODE		
△ D1004	6A10E2	SI DIODE		
△ D1005	6A10E2	SI DIODE		
△ D1006	6A10E2	SI DIODE		
△ D1007	6A10E2	SI DIODE		
△ D1008	6A10E2	SI DIODE		
△ D1009	6A10E2	SI DIODE		
△ D1010	6A10E2	SI DIODE		
△ D1011	6A10E2	SI DIODE		
D1012	MTZJ6.2B-T2	Z DIODE		
D1013	MTZJ18B-T2	Z DIODE		
△ R1000	QRK126J-470X	UNF C RESISTOR	47Ω 1/2W J	
R1001	QRE141J-753Y	C RESISTOR	75kΩ 1/4W J	
R1002	QRE141J-104Y	C RESISTOR	100kΩ 1/4W J	
R1003	QRE141J-104Y	C RESISTOR	100kΩ 1/4W J	
R1005	QRE141J-753Y	C RESISTOR	75kΩ 1/4W J	
R2000	QRE141J-104Y	C RESISTOR	100kΩ 1/4W J	
R2001	QRE141J-104Y	C RESISTOR	100kΩ 1/4W J	
R2002	QRE141J-104Y	C RESISTOR	100kΩ 1/4W J	
R2003	QRE141J-104Y	C RESISTOR	100kΩ 1/4W J	
R2004	QRE141J-681Y	C RESISTOR	680Ω 1/4W J	
R2005	QRE141J-272Y	C RESISTOR	2.7kΩ 1/4W J	
R2006	QRE141J-681Y	C RESISTOR	680Ω 1/4W J	
R2007	QRE141J-472Y	C RESISTOR	4.7kΩ 1/4W J	
R2008	QRE141J-102Y	C RESISTOR	1kΩ 1/4W J	
R2009	QRE141J-102Y	C RESISTOR	1kΩ 1/4W J	
R2010	QRE141J-102Y	C RESISTOR	1kΩ 1/4W J	
R2011	QRL01DJ-471X	OMF RESISTOR	470Ω 1W J	

△ Symbol No. Part No. Part Name Description Local

## Amplifier board (DX-T5)

Block No. [0][7]

△ Symbol No.	Part No.	Part Name	Description	Local
R2012	QRL01DJ-471X	OMF RESISTOR	470Ω 1W J	
R2014	QRE141J-273Y	C RESISTOR	27kΩ 1/4W J	
R9201	QRE141J-391Y	C RESISTOR	390Ω 1/4W J	
R9202	QRE141J-391Y	C RESISTOR	390Ω 1/4W J	
R9203	QRE141J-361Y	C RESISTOR	360Ω 1/4W J	
R9204	QRE141J-131Y	C RESISTOR	130Ω 1/4W J	
R9205	QRE141J-361Y	C RESISTOR	360Ω 1/4W J	
R9206	QRE141J-131Y	C RESISTOR	130Ω 1/4W J	
R9207	QRE141J-391Y	C RESISTOR	390Ω 1/4W J	
R9208	QRE141J-391Y	C RESISTOR	390Ω 1/4W J	
R9209	QRE141J-391Y	C RESISTOR	390Ω 1/4W J	
R9210	QRE141J-391Y	C RESISTOR	390Ω 1/4W J	
R9218	QRE141J-750Y	C RESISTOR	75Ω 1/4W J	
R9221	QRE141J-750Y	C RESISTOR	75Ω 1/4W J	
R9224	QRE141J-750Y	C RESISTOR	75Ω 1/4W J	
R9227	QRE141J-750Y	C RESISTOR	75Ω 1/4W J	
R9230	QRE141J-750Y	C RESISTOR	75Ω 1/4W J	
R9232	QRE141J-750Y	C RESISTOR	75Ω 1/4W J	
R9300	QRT017J-2R2	MF RESISTOR	2.2Ω 1W J	
R9301	QRE141J-681Y	C RESISTOR	680Ω 1/4W J	
R9302	QRZ9006-4R7X	F.RESISTOR	4.7Ω 1/4W J	
R9303	QRE141J-271Y	C RESISTOR	270Ω 1/4W J	
R9310	QRE141J-470Y	C RESISTOR	47Ω 1/4W J	
CN100	QGA7901C1-02	CONNECTOR	W-B (1-2)	
CN101	QGA7901C1-04	CONNECTOR	W-B (1-4)	
CN102	QGA7901C1-03	CONNECTOR	W-B (1-3)	
CN103	QGA3901F1-08	CONNECTOR	W-B (1-8)	
CN104	QGB2510J1-13	CONNECTOR	B-B (1-13)	
CN105	QGD2503F1-03	CONNECTOR	(1-3)	
CN106	QGA3901F1-03	CONNECTOR	W-B (1-3)	
CN200	QGB2510J1-16	CONNECTOR	B-B (1-16)	
CN201	QGB2510J1-20	CONNECTOR	B-B (1-20)	
CN202	QGD2504C1-03Z	CONNECTOR	(1-3)	
CN203	QGB2510K2-13	CONNECTOR	B-B (1-13)	
CN204	QGB2510K2-13	CONNECTOR	B-B (1-13)	
CN920	QGF1205C1-08	CONNECTOR	FFC/FPC (1-8)	
CN930	QGF1036C1-28	CONNECTOR	FFC/FPC (1-28)	
CN931	QGF1205C1-11	CONNECTOR	FFC/FPC (1-11)	
EP201	E409182-001SM	GRAND TERMINAL		
H2001	GV40577-001A	HEAT SINK		
IH920	GV40397-003A	IC HOLDER		
J920	QNN0624-001	PIN JACK		
J921	QNN0557-002	PIN JACK		
PP201	QZW0038-001	WIRE CLAMP		
PP202	QZW0038-001	WIRE CLAMP		
△ S1000	QSW0812-001	VOLTAGE SWITCH		
Z1001	QNG0003-001Z	FUSE CLIP		
Z1002	QNG0003-001Z	FUSE CLIP		
Z1003	QNG0003-001Z	FUSE CLIP		
Z1004	QNG0003-001Z	FUSE CLIP		
Z1005	QNG0003-001Z	FUSE CLIP		
Z1006	QNG0003-001Z	FUSE CLIP		
Z1007	QNG0003-001Z	FUSE CLIP		
Z1008	QNG0003-001Z	FUSE CLIP		
Z1009	QNG0003-001Z	FUSE CLIP		
Z1010	QNG0003-001Z	FUSE CLIP		
Z1011	QNG0003-001Z	FUSE CLIP		
Z1012	QNG0003-001Z	FUSE CLIP		
Z1013	QNG0003-001Z	FUSE CLIP		
Z1014	QNG0003-001Z	FUSE CLIP		
Z1015	QNG0003-001Z	FUSE CLIP		
Z1016	QNG0003-001Z	FUSE CLIP		
Z1017	QNG0003-001Z	FUSE CLIP		
Z1018	QNG0003-001Z	FUSE CLIP		
Z1019	QNG0003-001Z	FUSE CLIP		
Z1020	QNG0003-001Z	FUSE CLIP		

△ Symbol No. Part No. Part Name Description Local

△ Symbol No.	Part No.	Part Name	Description	Local
△ IC302	KIA7809API	IC		
△ IC303	KIA7805API	IC		
△ IC304	KIA7809API	IC		
△ IC305	KIA278R05PI	TRANSISTOR		
△ IC306	KIA278R09PI	TRANSISTOR		
△ IC307	KIA317PI	IC		
IC308	KIA7805API	IC		
△ IC401	STK412-430	POWER I.C		
IC500	PT6305	FL DRIVER		
IC510	GP1UM281XKVF	IR DETECT UNIT		
△ Q3901	KTC3203/OY/-T	TRANSISTOR		
Q3902	KRC102M-T	DIGI TRANSISTOR		
Q4401	KTC3200/GL/-T	TRANSISTOR		
Q4402	KTA1023/OY/-T	TRANSISTOR		
Q4403	KTA1268/GL/-T	TRANSISTOR		
Q4404	KTC1027/OY/-T	TRANSISTOR		
Q4601	KTC3199/GL/-T	TRANSISTOR		
Q4701	KTC3199/GL/-T	TRANSISTOR		
Q4901	KTC1027/OY/-T	TRANSISTOR		
Q4902	KTA1023/OY/-T	TRANSISTOR		
Q4903	KTC3199/GL/-T	TRANSISTOR		
Q4904	KTA1023/OY/-T	TRANSISTOR		
Q5004	KRC102M-T	DIGI TRANSISTOR		
Q5005	KRC102M-T	DIGI TRANSISTOR		
Q5006	KRC102M-T	DIGI TRANSISTOR		
Q5007	KRC102M-T	DIGI TRANSISTOR		
Q5008	KTA1023/OY/-T	TRANSISTOR		
Q5009	KRC102M-T	DIGI TRANSISTOR		
Q5010	KRC110M-T	TRANSISTOR		
Q5011	KTC3199/GL/-T	TRANSISTOR		
D3701	MTZJ5.6C-T2	Z DIODE		
D3811	MTZJ11B-T2	Z DIODE		
D3821	MTZJ11B-T2	Z DIODE		
D3831	1SS119-041-T2	DIODE		
D3832	MTZJ6.2B-T2	Z DIODE		
D3841	MTZJ11B-T2	Z DIODE		
D3901	MTZJ11B-T2	Z DIODE		
D3902	1SS119-041-T2	DIODE		
D4401	1SS119-041-T2	DIODE		
D4501	MTZJ15B-T2	Z DIODE		
D4502	MTZJ15B-T2	Z DIODE		
D4503	MTZJ36A-T2	Z DIODE		
D4504	MTZJ36A-T2	Z DIODE		
D4601	1SS119-041-T2	DIODE		
D4701	1SS119-041-T2	DIODE		
D4901	1SS119-041-T2	DIODE		
D5004	SLI-343URC-W-T	LED		
D5005	SLI-343URC-W-T	LED		
D5006	SLI-343URC3F	LED		
D5007	SLR-343VC-T	LED		
C3701	QETN1EM-476Z	E CAPACITOR	47uF 25V M	
C3702	QETN1CM-107Z	E CAPACITOR	100uF 16V M	
C3811	QETN1EM-476Z	E CAPACITOR	47uF 25V M	
C3812	QETN1CM-107Z	E CAPACITOR	100uF 16V M	
C3821	QETN1EM-476Z	E CAPACITOR	47uF 25V M	
C3822	QETN1CM-107Z	E CAPACITOR	100uF 16V M	
C3831	QETN1EM-476Z	E CAPACITOR	47uF 25V M	
C3832	QETN1CM-107Z	E CAPACITOR	100uF 16V M	
C3841	QETN1EM-476Z	E CAPACITOR	47uF 25V M	
C3842	QETN1CM-107Z	E CAPACITOR	100uF 16V M	
C3851	QETN1EM-476Z	E CAPACITOR	47uF 25V M	
C3852	QETN1CM-107Z	E CAPACITOR	100uF 16V M	
C4401	QETN1AM-107Z	E CAPACITOR	100uF 10V M	
C4402	QFZ0212-104Z	M CAPACITOR	0.1uF	
C4403	QFZ0212-104Z	M CAPACITOR	0.1uF	
C4404	QETN1HM-105Z	E CAPACITOR	1uF 50V M	
C4602	QCSB1HK-4R7Y	C CAPACITOR	4.7pF 50V K	
C4603	QETN1JM-476Z	E CAPACITOR	47uF 63V M	
C4604	QFLC1HJ-104Z	M CAPACITOR	0.1uF 50V J	
C4605	QFLC1HJ-104Z	M CAPACITOR	0.1uF 50V J	
C4702	QCSB1HK-4R7Y	C CAPACITOR	4.7pF 50V K	

△ Symbol No.	Part No.	Part Name	Description	Local	△ Symbol No.	Part No.	Part Name	Description	Local
C4703	QETN1JM-476Z	E CAPACITOR	47uF 63V M		R5003	QRE141J-152Y	C RESISTOR	1.5kΩ 1/4W J	
C4704	QFLC1HJ-104Z	M CAPACITOR	0.1uF 50V J		R5004	QRE141J-222Y	C RESISTOR	2.2kΩ 1/4W J	
C4705	QFLC1HJ-104Z	M CAPACITOR	0.1uF 50V J		R5005	QRE141J-272Y	C RESISTOR	2.7kΩ 1/4W J	
C4801	QCBB1HK-221Y	C CAPACITOR	220pF 50V K		R5006	QRE141J-392Y	C RESISTOR	3.9kΩ 1/4W J	
C4802	QTE1V06-106Z	E CAPACITOR	10uF 35V		R5007	QRE141J-562Y	C RESISTOR	5.6kΩ 1/4W J	
C4803	QCBB1HK-101Y	C CAPACITOR	100pF 50V K		R5008	QRE141J-103Y	C RESISTOR	10kΩ 1/4W J	
C4811	QCBB1HK-221Y	C CAPACITOR	220pF 50V K		R5009	QRE141J-102Y	C RESISTOR	1kΩ 1/4W J	
C4812	QTE1V06-106Z	E CAPACITOR	10uF 35V		R5010	QRE141J-102Y	C RESISTOR	1kΩ 1/4W J	
C4813	QCBB1HK-101Y	C CAPACITOR	100pF 50V K		R5011	QRE141J-122Y	C RESISTOR	1.2kΩ 1/4W J	
C4901	QETN1HM-106Z	E CAPACITOR	10uF 50V M		R5012	QRE141J-152Y	C RESISTOR	1.5kΩ 1/4W J	
C4902	QETN1CM-476Z	E CAPACITOR	47uF 16V M		R5013	QRE141J-222Y	C RESISTOR	2.2kΩ 1/4W J	
C4903	QETN1HM-106Z	E CAPACITOR	10uF 50V M		R5014	QRE141J-272Y	C RESISTOR	2.7kΩ 1/4W J	
C5000	QETN1HM-226Z	E CAPACITOR	22uF 50V M		R5015	QRE141J-392Y	C RESISTOR	3.9kΩ 1/4W J	
C5001	QETN1HM-226Z	E CAPACITOR	22uF 50V M		R5016	QRE141J-102Y	C RESISTOR	1kΩ 1/4W J	
C5002	QDGB1HK-102Y	C CAPACITOR	1000pF 50V K		R5017	QRE141J-102Y	C RESISTOR	1kΩ 1/4W J	
C5003	QEKC1EM-106Z	E CAPACITOR	10uF 25V M		R5018	QRE141J-122Y	C RESISTOR	1.2kΩ 1/4W J	
C5004	QCBB1HK-104Y	C CAPACITOR	0.1uF 50V K		R5019	QRE141J-152Y	C RESISTOR	1.5kΩ 1/4W J	
C5005	QCBB1HK-101Y	C CAPACITOR	100pF 50V K		R5020	QRE141J-222Y	C RESISTOR	2.2kΩ 1/4W J	
C5006	QEKC1AM-107Z	E CAPACITOR	100uF 10V M		R5021	QRE141J-272Y	C RESISTOR	2.7kΩ 1/4W J	
C5007	QCBB1HK-104Y	C CAPACITOR	0.1uF 50V K		R5022	QRE141J-392Y	C RESISTOR	3.9kΩ 1/4W J	
					R5023	QRE141J-562Y	C RESISTOR	5.6kΩ 1/4W J	
R3701	QRE141J-103Y	C RESISTOR	10kΩ 1/4W J		R5024	QRE141J-102Y	C RESISTOR	1kΩ 1/4W J	
R3831	QRE141J-102Y	C RESISTOR	1kΩ 1/4W J		R5025	QRE141J-102Y	C RESISTOR	1kΩ 1/4W J	
R3901	QRJ146J-4R7X	UNF C RESISTOR	4.7Ω 1/4W J		R5026	QRE141J-122Y	C RESISTOR	1.2kΩ 1/4W J	
R3902	QRE141J-242Y	C RESISTOR	2.4kΩ 1/4W J		R5027	QRE141J-152Y	C RESISTOR	1.5kΩ 1/4W J	
R3903	QRE141J-100Y	C RESISTOR	10Ω 1/4W J		R5028	QRE141J-222Y	C RESISTOR	2.2kΩ 1/4W J	
R3904	QRE141J-271Y	C RESISTOR	270Ω 1/4W J		R5029	QRE141J-272Y	C RESISTOR	2.7kΩ 1/4W J	
R3905	QRE141J-242Y	C RESISTOR	2.4kΩ 1/4W J		R5030	QRE141J-392Y	C RESISTOR	3.9kΩ 1/4W J	
R3906	QRE141J-103Y	C RESISTOR	10kΩ 1/4W J		R5035	QRE141J-161Y	C RESISTOR	160Ω 1/4W J	
R3907	QRE141J-102Y	C RESISTOR	1kΩ 1/4W J		R5036	QRE141J-161Y	C RESISTOR	160Ω 1/4W J	
R3908	QRE141J-103Y	C RESISTOR	10kΩ 1/4W J		R5037	QRE141J-131Y	C RESISTOR	130Ω 1/4W J	
R4401	QRE141J-222Y	C RESISTOR	2.2kΩ 1/4W J		R5038	QRE141J-102Y	C RESISTOR	1kΩ 1/4W J	
R4402	QRE141J-104Y	C RESISTOR	100kΩ 1/4W J		R5039	QRE141J-102Y	C RESISTOR	1kΩ 1/4W J	
R4403	QRE141J-103Y	C RESISTOR	10kΩ 1/4W J		R5040	QRE141J-102Y	C RESISTOR	1kΩ 1/4W J	
R4404	QRE141J-103Y	C RESISTOR	10kΩ 1/4W J		R5041	QRE141J-102Y	C RESISTOR	1kΩ 1/4W J	
△ R4405	QRJ146J-470X	UNF C RESISTOR	47Ω 1/4W J		R5042	QRE141J-103Y	C RESISTOR	10kΩ 1/4W J	
R4406	QRE141J-103Y	C RESISTOR	10kΩ 1/4W J		R5043	QRE141J-271Y	C RESISTOR	270Ω 1/4W J	
R4407	QRE141J-103Y	C RESISTOR	10kΩ 1/4W J		R5044	QRE141J-821Y	C RESISTOR	820Ω 1/4W J	
△ R4408	QRJ146J-470X	UNF C RESISTOR	47Ω 1/4W J		R5045	QRE141J-104Y	C RESISTOR	100kΩ 1/4W J	
R4501	QRE141J-682Y	C RESISTOR	6.8kΩ 1/4W J		R5046	QRE141J-104Y	C RESISTOR	100kΩ 1/4W J	
R4502	QRE141J-682Y	C RESISTOR	6.8kΩ 1/4W J						
R4503	QRE141J-682Y	C RESISTOR	6.8kΩ 1/4W J		L4601	QQLZ035-R39	COIL	0.39uH	
R4504	QRE141J-682Y	C RESISTOR	6.8kΩ 1/4W J		L4701	QQLZ035-R39	COIL	0.39uH	
△ R4505	QRJ146J-100X	UNF C RESISTOR	10Ω 1/4W J						
R4506	QRE141J-333Y	C RESISTOR	33kΩ 1/4W J		CN301	QGB2510K2-09	CONNECTOR	B-B (1-9)	
△ R4601	QRZ0224-R22	EMIT RESISTOR	0.22Ω		CN302	QGF1205C1-13	CONNECTOR	FFC/FPC (1-13)	
R4602	QRE141J-563Y	C RESISTOR	56kΩ 1/4W J		CN303	QGF1205F1-11	CONNECTOR	FFC/FPC (1-11)	
△ R4603	QRJ146J-100X	UNF C RESISTOR	10Ω 1/4W J		CN304	QGA2501F1-03	CONNECTOR	W-B (1-3)	
R4604	QRJ146J-100X	UNF C RESISTOR	10Ω 1/4W J		CN401	QGB2510K2-12	CONNECTOR	B-B (1-12)	
R4605	QRE141J-102Y	C RESISTOR	1kΩ 1/4W J		CN402	QGF1205C1-08	CONNECTOR	FFC/FPC (1-8)	
R4606	QRE141J-102Y	C RESISTOR	1kΩ 1/4W J		CN500	QGF1036F1-19	CONNECTOR	FFC/FPC (1-19)	
R4607	QRE141J-473Y	C RESISTOR	47kΩ 1/4W J		FL500	QLF0150-001	FL TUBE		
R4608	QRE141J-562Y	C RESISTOR	5.6kΩ 1/4W J		FW401	QUM154-10Z4Z4-E	FLAT WIRE		
△ R4609	QRJ146J-821X	UNF C RESISTOR	820Ω 1/4W J		FW500	QUM153-18DGZ4-E	FLAT WIRE		
R4610	QRE141J-104Y	C RESISTOR	100kΩ 1/4W J		S5000	QSW1121-001Z	PUSH SW I.M		
△ R4701	QRZ0224-R22	EMIT RESISTOR	0.22Ω		S5001	QSW1121-001Z	PUSH SW I.M		
R4702	QRE141J-563Y	C RESISTOR	56kΩ 1/4W J		S5002	QSW1121-001Z	PUSH SW I.M		
△ R4703	QRJ146J-100X	UNF C RESISTOR	10Ω 1/4W J		S5003	QSW1121-001Z	PUSH SW I.M		
△ R4704	QRJ146J-100X	UNF C RESISTOR	10Ω 1/4W J		S5004	QSW1121-001Z	PUSH SW I.M		
R4705	QRE141J-102Y	C RESISTOR	1kΩ 1/4W J		S5005	QSW1121-001Z	PUSH SW I.M		
R4706	QRE141J-102Y	C RESISTOR	1kΩ 1/4W J		S5006	QSW1121-001Z	PUSH SW I.M		
R4707	QRE141J-473Y	C RESISTOR	47kΩ 1/4W J		S5007	QSW1121-001Z	PUSH SW I.M		
R4708	QRE141J-562Y	C RESISTOR	5.6kΩ 1/4W J		S5008	QSW1121-001Z	PUSH SW I.M		
△ R4709	QRJ146J-821X	UNF C RESISTOR	820Ω 1/4W J		S5009	QSW1121-001Z	PUSH SW I.M		
R4710	QRE141J-104Y	C RESISTOR	100kΩ 1/4W J		S5010	QSW1121-001Z	PUSH SW I.M		
R4801	QRE141J-102Y	C RESISTOR	1kΩ 1/4W J		S5011	QSW1121-001Z	PUSH SW I.M		
R4802	QRE141J-563Y	C RESISTOR	56kΩ 1/4W J		S5012	QSW1121-001Z	PUSH SW I.M		
R4811	QRE141J-102Y	C RESISTOR	1kΩ 1/4W J		S5013	QSW1121-001Z	PUSH SW I.M		
R4812	QRE141J-563Y	C RESISTOR	56kΩ 1/4W J		S5014	QSW1121-001Z	PUSH SW I.M		
R4901	QRE141J-103Y	C RESISTOR	10kΩ 1/4W J		S5015	QSW1121-001Z	PUSH SW I.M		
R4902	QRE141J-104Y	C RESISTOR	100kΩ 1/4W J		S5016	QSW1121-001Z	PUSH SW I.M		
R4903	QRE141J-103Y	C RESISTOR	10kΩ 1/4W J		S5017	QSW1121-001Z	PUSH SW I.M		
R4904	QRE141J-104Y	C RESISTOR	100kΩ 1/4W J		S5018	QSW1121-001Z	PUSH SW I.M		
R4905	QRE141J-103Y	C RESISTOR	10kΩ 1/4W J		S5019	QSW1121-001Z	PUSH SW I.M		
R4906	QRE141J-104Y	C RESISTOR	100kΩ 1/4W J		S5020	QSW1121-001Z	PUSH SW I.M		
R5000	QRE141J-102Y	C RESISTOR	1kΩ 1/4W J		S5021	QSW1121-001Z	PUSH SW I.M		
R5001	QRE141J-102Y	C RESISTOR	1kΩ 1/4W J		S5022	QSW1121-001Z	PUSH SW I.M		
R5002	QRE141J-122Y	C RESISTOR	1.2kΩ 1/4W J		S5023	QSW1121-001Z	PUSH SW I.M		

△ Symbol No.	Part No.	Part Name	Description	Local
S5024	QSW1121-001Z	PUSH SW I.M		
S5025	QSW1121-001Z	PUSH SW I.M		
S5026	QSW1121-001Z	PUSH SW I.M		
S5027	QSW1121-001Z	PUSH SW I.M		
S5028	QSW1121-001Z	PUSH SW I.M		
S5029	QSW1121-001Z	PUSH SW I.M		
S5030	QSW1121-001Z	PUSH SW I.M		
S5031	QSW1121-001Z	PUSH SW I.M		
S5032	QSW1121-001Z	PUSH SW I.M		
S5033	QSW1121-001Z	PUSH SW I.M		
S5034	QSW1121-001Z	PUSH SW I.M		
SP500	GV40205-004A	IC HOLDER		

△ Symbol No.	Part No.	Part Name	Description	Local
D7390	1SS133-T2	SI DIODE		
D7711	1SS133-T2	SI DIODE		
D7713	1N4003S-T5	SI DIODE		
D7784	MTZJ3.9B-T2	Z DIODE		
D7785	MTZJ3.9B-T2	Z DIODE		
D8230	1SS133-T2	SI DIODE		
D8524	MTZJ5.6B-T2	Z DIODE		
D8900	1SS133-T2	SI DIODE		
D8901	1SS133-T2	SI DIODE		
D9001	1SS133-T2	SI DIODE		
D9002	1SS133-T2	SI DIODE		
D9100	MTZJ2.4B-T2	Z DIODE		

## Main board (DX-T5)

Block No. [0][8]

△ Symbol No.	Part No.	Part Name	Description	Local
IC760	SN74AHCT08NS-X	IC		
IC770	MN101C49GFS1	MASK ROM		
IC771	BR24L02F-W-X	IC		
IC810	CD4066BM-X	IC		
IC820	LC75342M-X	IC		
IC830	RC4558D-X	IC		
IC850	M65851FP	IC		
IC860	JCV8011-X	IC		
IC881	RC4558D-X	IC		
IC901	RC4580ID-X	IC		
Q7000	KTC3199/GLJ-T	TRANSISTOR		
Q7010	KTC3199/GLJ-T	TRANSISTOR		
Q7080	KRC107S-X	DIGI TRANSISTOR		
Q7081	KRC111S-X	TRANSISTOR		
Q7788	KRA102S-X	DIGI TRANSISTOR		
Q7798	KRA102S-X	DIGI TRANSISTOR		
Q8000	2SD2114K/VW/-X	TRANSISTOR		
Q8030	KTC3875/YG/-X	SI TRANSISTOR		
Q8031	KTC3875/YG/-X	SI TRANSISTOR		
Q8032	KTC3875/YG/-X	SI TRANSISTOR		
Q8037	KTC3875/YG/-X	SI TRANSISTOR		
Q8038	KTC3875/YG/-X	SI TRANSISTOR		
Q8040	2SD2114K/VW/-X	TRANSISTOR		
Q8100	2SD2114K/VW/-X	TRANSISTOR		
Q8130	KTC3875/YG/-X	SI TRANSISTOR		
Q8131	KTC3875/YG/-X	SI TRANSISTOR		
Q8132	KTC3875/YG/-X	SI TRANSISTOR		
Q8137	KTC3875/YG/-X	SI TRANSISTOR		
Q8138	KTC3875/YG/-X	SI TRANSISTOR		
Q8140	2SD2114K/VW/-X	TRANSISTOR		
Q8211	KRC104S-X	TRANSISTOR		
Q8212	KRC104S-X	TRANSISTOR		
Q8260	KTC3199/GLJ-T	TRANSISTOR		
Q8524	KTC1027/OYI-T	TRANSISTOR		
Q8900	KRA104S-X	DIGI TRANSISTOR		
Q8910	2SD1328/ST/-X	TRANSISTOR		
Q8911	2SD1328/ST/-X	TRANSISTOR		
Q9001	2SD2114K/VW/-X	TRANSISTOR		
Q9002	2SD2114K/VW/-X	TRANSISTOR		
Q9003	KRC111S-X	TRANSISTOR		
Q9004	KTA1504/YG/-X	SI TRANSISTOR		
Q9100	KRA111S-X	D. TRANSISTOR		
Q9101	2SD2114K/VW/-X	TRANSISTOR		
Q9102	2SD2114K/VW/-X	TRANSISTOR		
Q9103	2SD2114K/VW/-X	TRANSISTOR		
Q9104	2SD2114K/VW/-X	TRANSISTOR		
D7000	1SS133-T2	SI DIODE		
D7010	1SS133-T2	SI DIODE		
D7050	MTZJ5.1B-T2	Z DIODE		
D7080	1SS133-T2	SI DIODE		
D7081	MTZJ4.7B-T2	Z DIODE		
D7082	1SS133-T2	SI DIODE		
D7151	1SS133-T2	SI DIODE		
D7152	1SS133-T2	SI DIODE		

C7001	QETN1HM-476Z	E CAPACITOR	47uF 50V M
C7002	QETN1HM-476Z	E CAPACITOR	47uF 50V M
C7050	QETN1HM-475Z	E CAPACITOR	4.7uF 50V M
C7080	NCB31HK-102X	C CAPACITOR	1000pF 50V K
C7082	QETN1HM-475Z	E CAPACITOR	4.7uF 50V M
C7083	NCB31HK-103X	C CAPACITOR	0.01uF 50V K
C7084	QETN0JM-227Z	E CAPACITOR	220uF 6.3V M
C7085	QETN0JM-108Z	E CAPACITOR	1000uF 6.3V M
C7710	QCB11HK-103Y	C CAPACITOR	0.01uF 50V K
C7711	QETN1CM-107Z	E CAPACITOR	100uF 16V M
C7712	NCS31HJ-180X	C CAPACITOR	18pF 50V J
C7713	NCS31HJ-180X	C CAPACITOR	18pF 50V J
C7788	QETN1HM-106Z	E CAPACITOR	10uF 50V M
C7798	QETN1HM-106Z	E CAPACITOR	10uF 50V M
C8001	QTE1V06-106Z	E CAPACITOR	10uF 35V
C8002	QTE1V06-106Z	E CAPACITOR	10uF 35V
C8020	QETN1HM-475Z	E CAPACITOR	4.7uF 50V M
C8021	QETN1HM-475Z	E CAPACITOR	4.7uF 50V M
C8022	QETN1HM-475Z	E CAPACITOR	4.7uF 50V M
C8023	QETN1HM-475Z	E CAPACITOR	4.7uF 50V M
C8025	QTE1H28-106Z	E CAPACITOR	10uF 50V
C8026	QFLC1HJ-272Z	M CAPACITOR	2700pF 50V J
C8027	QFLC1HJ-104Z	M CAPACITOR	0.1uF 50V J
C8028	QFLC1HJ-104Z	M CAPACITOR	0.1uF 50V J
C8030	QFVF1HJ-154Z	MF CAPACITOR	0.15uF 50V J
C8031	QFVF1HJ-124Z	MF CAPACITOR	0.12uF 50V J
C8032	QTE1C06-226Z	E CAPACITOR	22uF 16V
C8062	QTE1V06-106Z	E CAPACITOR	10uF 35V
C8101	QTE1V06-106Z	E CAPACITOR	10uF 35V
C8102	QTE1V06-106Z	E CAPACITOR	10uF 35V
C8120	QETN1HM-475Z	E CAPACITOR	4.7uF 50V M
C8121	QETN1HM-475Z	E CAPACITOR	4.7uF 50V M
C8122	QETN1HM-475Z	E CAPACITOR	4.7uF 50V M
C8123	QETN1HM-475Z	E CAPACITOR	4.7uF 50V M
C8125	QTE1H28-106Z	E CAPACITOR	10uF 50V
C8126	QFLC1HJ-272Z	M CAPACITOR	2700pF 50V J
C8127	QFLC1HJ-104Z	M CAPACITOR	0.1uF 50V J
C8128	QFLC1HJ-104Z	M CAPACITOR	0.1uF 50V J
C8130	QFVF1HJ-154Z	MF CAPACITOR	0.15uF 50V J
C8131	QFVF1HJ-124Z	MF CAPACITOR	0.12uF 50V J
C8132	QTE1C06-226Z	E CAPACITOR	22uF 16V
C8162	QTE1V06-106Z	E CAPACITOR	10uF 35V
C8182	QFLC1HJ-471Z	M CAPACITOR	470pF 50V J
C8221	QCB11HK-103Y	C CAPACITOR	0.01uF 50V K
C8222	QTE1C06-107Z	E CAPACITOR	100uF 16V
C8230	QETN1EM-476Z	E CAPACITOR	47uF 25V M
C8232	QETN1HM-105Z	E CAPACITOR	1uF 50V M
C8233	QFLC1HJ-683Z	M CAPACITOR	0.068uF 50V J
C8261	QETN1EM-476Z	E CAPACITOR	47uF 25V M
C8262	QFLC1HJ-223Z	M CAPACITOR	0.022uF 50V J
C8263	QETN1HM-225Z	E CAPACITOR	2.2uF 50V M
C8264	QETN1HM-106Z	E CAPACITOR	10uF 50V M
C8265	QETN1HM-106Z	E CAPACITOR	10uF 50V M
C8266	QETN1HM-475Z	E CAPACITOR	4.7uF 50V M
C8267	QETN1EM-336Z	E CAPACITOR	33uF 25V M
C8268	QETN1HM-224Z	E CAPACITOR	0.22uF 50V M
C8269	QETN1HM-225Z	E CAPACITOR	2.2uF 50V M
C8360	QETN1HM-475Z	E CAPACITOR	4.7uF 50V M
C8361	QETN1HM-475Z	E CAPACITOR	4.7uF 50V M
C8362	QETN1HM-474Z	E CAPACITOR	0.47uF 50V M
C8363	QETN1EM-476Z	E CAPACITOR	47uF 25V M
C8501	QFLC1HJ-152Z	M CAPACITOR	1500pF 50V J
C8503	QFLC1HJ-154Z	M CAPACITOR	0.15uF 50V J
C8504	QFLC1HJ-152Z	M CAPACITOR	1500pF 50V J
C8506	QETN1HM-225Z	E CAPACITOR	2.2uF 50V M

△ Symbol No.	Part No.	Part Name	Description	Local	△ Symbol No.	Part No.	Part Name	Description	Local
C8508	QFLC1HJ-102Z	M CAPACITOR	1000pF 50V J		R7703	NRSA63J-102X	MG RESISTOR	1kΩ 1/16W J	
C8509	QFLC1HJ-332Z	M CAPACITOR	3300pF 50V J		R7704	NRSA63J-102X	MG RESISTOR	1kΩ 1/16W J	
C8512	QETN1HM-225Z	E CAPACITOR	2.2uF 50V M		R7705	NRSA63J-102X	MG RESISTOR	1kΩ 1/16W J	
C8513	QETN1HM-105Z	E CAPACITOR	1uF 50V M		R7706	NRSA63J-102X	MG RESISTOR	1kΩ 1/16W J	
C8514	QFLC1HJ-102Z	M CAPACITOR	1000pF 50V J		R7707	NRSA63J-222X	MG RESISTOR	2.2kΩ 1/16W J	
C8515	QFLC1HJ-472Z	M CAPACITOR	4700pF 50V J		R7708	NRSA63J-222X	MG RESISTOR	2.2kΩ 1/16W J	
C8516	QFLC1HJ-683Z	M CAPACITOR	0.068uF 50V J		R7709	NRSA63J-103X	MG RESISTOR	10kΩ 1/16W J	
C8517	QFLC1HJ-104Z	M CAPACITOR	0.1uF 50V J		R7715	NRSA63J-103X	MG RESISTOR	10kΩ 1/16W J	
C8518	QFLC1HJ-104Z	M CAPACITOR	0.1uF 50V J		R7717	NRSA63J-103X	MG RESISTOR	10kΩ 1/16W J	
C8520	QFLC1HJ-683Z	M CAPACITOR	0.068uF 50V J		R7718	QRE141J-102Y	C RESISTOR	1kΩ 1/4W J	
C8522	QETN1EM-476Z	E CAPACITOR	47uF 25V M		R7719	QRE141J-102Y	C RESISTOR	1kΩ 1/4W J	
C8523	QFLC1HJ-104Z	M CAPACITOR	0.1uF 50V J		R7720	QRE141J-102Y	C RESISTOR	1kΩ 1/4W J	
C8524	QETN1CM-107Z	E CAPACITOR	100uF 16V M		R7721	NRSA63J-122X	MG RESISTOR	1.2kΩ 1/16W J	
C8525	QETN1CM-107Z	E CAPACITOR	100uF 16V M		R7722	NRSA63J-122X	MG RESISTOR	1.2kΩ 1/16W J	
C8530	QFLC1HJ-104Z	M CAPACITOR	0.1uF 50V J		R7723	NRSA63J-122X	MG RESISTOR	1.2kΩ 1/16W J	
C8540	QFLC1HJ-102Z	M CAPACITOR	1000pF 50V J		R7724	NRSA63J-122X	MG RESISTOR	1.2kΩ 1/16W J	
C8541	QFLC1HJ-472Z	M CAPACITOR	4700pF 50V J		R7725	NRSA63J-122X	MG RESISTOR	1.2kΩ 1/16W J	
C8542	QFLC1HJ-683Z	M CAPACITOR	0.068uF 50V J		R7726	NRSA63J-101X	MG RESISTOR	100Ω 1/16W J	
C8544	QFLC1HJ-104Z	M CAPACITOR	0.1uF 50V J		R7728	NRSA63J-222X	MG RESISTOR	2.2kΩ 1/16W J	
C8545	QFLC1HJ-104Z	M CAPACITOR	0.1uF 50V J		R7731	NRSA63J-222X	MG RESISTOR	2.2kΩ 1/16W J	
C8546	QFLC1HJ-683Z	M CAPACITOR	0.068uF 50V J		R7732	NRSA63J-103X	MG RESISTOR	10kΩ 1/16W J	
C8548	QFLC1HJ-102Z	M CAPACITOR	1000pF 50V J		R7735	NRSA63J-102X	MG RESISTOR	1kΩ 1/16W J	
C8550	QFLC1HJ-472Z	M CAPACITOR	4700pF 50V J		R7737	NRSA63J-102X	MG RESISTOR	1kΩ 1/16W J	
C8552	QFVF1HJ-224Z	MF CAPACITOR	0.22uF 50V J		R7738	NRSA63J-102X	MG RESISTOR	1kΩ 1/16W J	
C8554	QFLC1HJ-104Z	M CAPACITOR	0.1uF 50V J		R7739	NRSA63J-102X	MG RESISTOR	1kΩ 1/16W J	
C8555	QETN1CM-107Z	E CAPACITOR	100uF 16V M		R7740	NRSA63J-102X	MG RESISTOR	1kΩ 1/16W J	
C8563	QTE1V06-106Z	E CAPACITOR	10uF 35V		R7742	NRSA63J-102X	MG RESISTOR	1kΩ 1/16W J	
C8564	QTE1V06-106Z	E CAPACITOR	10uF 35V		R7743	NRSA63J-102X	MG RESISTOR	1kΩ 1/16W J	
C8574	QTE1V06-106Z	E CAPACITOR	10uF 35V		R7744	NRSA63J-102X	MG RESISTOR	1kΩ 1/16W J	
C8575	QTE1V06-106Z	E CAPACITOR	10uF 35V		R7745	NRSA63J-103X	MG RESISTOR	10kΩ 1/16W J	
C8576	QFLC1HJ-154Z	M CAPACITOR	0.15uF 50V J		R7746	NRSA63J-102X	MG RESISTOR	1kΩ 1/16W J	
C8577	QETN1HM-104Z	E CAPACITOR	0.1uF 50V M		R7747	NRSA63J-0R0X	MG RESISTOR	0Ω 1/16W J	
C8578	QETN1HM-105Z	E CAPACITOR	1uF 50V M		R7748	NRSA63J-102X	MG RESISTOR	1kΩ 1/16W J	
C8579	QETN1HM-105Z	E CAPACITOR	1uF 50V M		R7749	NRSA63J-102X	MG RESISTOR	1kΩ 1/16W J	
C8580	QFLC1HJ-154Z	M CAPACITOR	0.15uF 50V J		R7751	QRE141J-222Y	C RESISTOR	2.2kΩ 1/4W J	
C8900	QETN1HM-105Z	E CAPACITOR	1uF 50V M		R7752	QRE141J-222Y	C RESISTOR	2.2kΩ 1/4W J	
C8910	QETN1HM-226Z	E CAPACITOR	22uF 50V M		R7756	NRSA63J-102X	MG RESISTOR	1kΩ 1/16W J	
C9000	NCB21HK-473X	C CAPACITOR	0.047uF 50V K		R7759	NRSA63J-222X	MG RESISTOR	2.2kΩ 1/16W J	
C9001	QETN1HM-104Z	E CAPACITOR	0.1uF 50V M		R7760	NRSA63J-222X	MG RESISTOR	2.2kΩ 1/16W J	
C9002	NCS31HJ-681X	C CAPACITOR	680pF 50V J		R7761	NRSA63J-222X	MG RESISTOR	2.2kΩ 1/16W J	
C9003	QEKC1HM-105Z	E CAPACITOR	1uF 50V M		R7762	NRSA63J-222X	MG RESISTOR	2.2kΩ 1/16W J	
C9004	QEKC1HM-104Z	E CAPACITOR	0.1uF 50V M		R7763	NRSA63J-102X	MG RESISTOR	1kΩ 1/16W J	
C9005	QEKC1HM-335Z	E CAPACITOR	3.3uF 50V M		R7764	NRSA63J-102X	MG RESISTOR	1kΩ 1/16W J	
C9006	QETN1EM-336Z	E CAPACITOR	33uF 25V M		R7765	NRSA63J-0R0X	MG RESISTOR	0Ω 1/16W J	
C9007	QEKC1HM-104Z	E CAPACITOR	0.1uF 50V M		R7766	NRSA63J-0R0X	MG RESISTOR	0Ω 1/16W J	
C9008	QETN1HM-104Z	E CAPACITOR	0.1uF 50V M		R7767	NRSA63J-222X	MG RESISTOR	2.2kΩ 1/16W J	
C9009	QETN1EM-476Z	E CAPACITOR	47uF 25V M		R7768	NRSA63J-222X	MG RESISTOR	2.2kΩ 1/16W J	
C9010	QEKC1CM-107Z	E CAPACITOR	100uF 16V M		R7769	NRSA63J-102X	MG RESISTOR	1kΩ 1/16W J	
C9021	NCB31HK-102X	C CAPACITOR	1000pF 50V K		R7770	NRSA63J-102X	MG RESISTOR	1kΩ 1/16W J	
C9022	NCB31HK-102X	C CAPACITOR	1000pF 50V K		R7771	QRE141J-104Y	C RESISTOR	100kΩ 1/4W J	
C9100	QDGB1HK-102Y	C CAPACITOR	1000pF 50V K		R7772	QRE141J-222Y	C RESISTOR	2.2kΩ 1/4W J	
C9101	QDGB1HK-102Y	C CAPACITOR	1000pF 50V K		R7773	QRE141J-222Y	C RESISTOR	2.2kΩ 1/4W J	
C9102	QDGB1HK-102Y	C CAPACITOR	1000pF 50V K		R7774	QRE141J-102Y	C RESISTOR	1kΩ 1/4W J	
C9103	QDXB1CM-392Y	C CAPACITOR	3900pF 16V M		R7775	NRSA63J-222X	MG RESISTOR	2.2kΩ 1/16W J	
C9104	QDXB1CM-392Y	C CAPACITOR	3900pF 16V M		R7776	NRSA63J-222X	MG RESISTOR	2.2kΩ 1/16W J	
C9105	QDGB1HK-102Y	C CAPACITOR	1000pF 50V K		R7777	NRSA63J-102X	MG RESISTOR	1kΩ 1/16W J	
					R7778	NRSA63J-222X	MG RESISTOR	2.2kΩ 1/16W J	
R7000	QRE141J-222Y	C RESISTOR	2.2kΩ 1/4W J		R7779	NRSA63J-222X	MG RESISTOR	2.2kΩ 1/16W J	
R7001	QRL01DJ-151X	OMF RESISTOR	150Ω 1W J		R7780	NRSA63J-222X	MG RESISTOR	2.2kΩ 1/16W J	
R7002	QRL01DJ-151X	OMF RESISTOR	150Ω 1W J		R7781	NRSA63J-222X	MG RESISTOR	2.2kΩ 1/16W J	
R7003	QRL01DJ-151X	OMF RESISTOR	150Ω 1W J		R7786	NRSA63J-222X	MG RESISTOR	2.2kΩ 1/16W J	
R7010	QRE141J-222Y	C RESISTOR	2.2kΩ 1/4W J		R7788	NRSA63J-222X	MG RESISTOR	2.2kΩ 1/16W J	
R7011	QRL01DJ-151X	OMF RESISTOR	150Ω 1W J		R7789	NRSA63J-222X	MG RESISTOR	2.2kΩ 1/16W J	
R7012	QRL01DJ-151X	OMF RESISTOR	150Ω 1W J		R7790	NRSA63J-102X	MG RESISTOR	1kΩ 1/16W J	
R7013	QRL01DJ-151X	OMF RESISTOR	150Ω 1W J		R7791	NRSA63J-102X	MG RESISTOR	1kΩ 1/16W J	
R7050	QRE141J-563Y	C RESISTOR	56kΩ 1/4W J		R7792	NRSA63J-102X	MG RESISTOR	1kΩ 1/16W J	
R7080	NRSA63J-223X	MG RESISTOR	22kΩ 1/16W J		R7796	NRSA63J-222X	MG RESISTOR	2.2kΩ 1/16W J	
R7081	NRSA63J-103X	MG RESISTOR	10kΩ 1/16W J		R7797	NRSA63J-102X	MG RESISTOR	1kΩ 1/16W J	
R7082	NRSA63J-102X	MG RESISTOR	1kΩ 1/16W J		R7798	NRSA63J-102X	MG RESISTOR	1kΩ 1/16W J	
R7083	NRSA63J-222X	MG RESISTOR	2.2kΩ 1/16W J		R7799	NRSA63J-103X	MG RESISTOR	10kΩ 1/16W J	
R7084	NRSA63J-681X	MG RESISTOR	680Ω 1/16W J		R7803	NRSA63J-103X	MG RESISTOR	10kΩ 1/16W J	
R7085	NRSA63J-681X	MG RESISTOR	680Ω 1/16W J		R7804	NRSA63J-103X	MG RESISTOR	10kΩ 1/16W J	
R7151	QRE141J-123Y	C RESISTOR	12kΩ 1/4W J		R7805	NRSA63J-103X	MG RESISTOR	10kΩ 1/16W J	
R7152	QRE141J-123Y	C RESISTOR	12kΩ 1/4W J		R7806	NRSA63J-103X	MG RESISTOR	10kΩ 1/16W J	
R7200	NRSA63J-273X	MG RESISTOR	27kΩ 1/16W J		R7807	NRSA63J-103X	MG RESISTOR	10kΩ 1/16W J	
R7251	QRE141J-242Y	C RESISTOR	2.4kΩ 1/4W J		R7808	NRSA63J-103X	MG RESISTOR	10kΩ 1/16W J	
R7252	QRE141J-242Y	C RESISTOR	2.4kΩ 1/4W J		R7809	NRSA63J-273X	MG RESISTOR	27kΩ 1/16W J	UW
R7702	NRSA63J-222X	MG RESISTOR	2.2kΩ 1/16W J		R7809	NRSA63J-153X	MG RESISTOR	15kΩ 1/16W J	UG,UX



△ Symbol No.	Part No.	Part Name	Description	Local	△ Symbol No.	Part No.	Part Name	Description	Local
R7809	NRSA63J-332X	MG RESISTOR	3.3kΩ 1/16W J	UY	R8231	NRSA63J-392X	MG RESISTOR	3.9kΩ 1/16W J	
R7821	NRSA63J-222X	MG RESISTOR	2.2kΩ 1/16W J		R8232	QRE141J-274Y	C RESISTOR	270kΩ 1/4W J	
R7823	NRSA63J-222X	MG RESISTOR	2.2kΩ 1/16W J		R8235	NRSA63J-224X	MG RESISTOR	220kΩ 1/16W J	
R7824	NRSA63J-222X	MG RESISTOR	2.2kΩ 1/16W J		R8237	NRSA63J-243X	MG RESISTOR	24kΩ 1/16W J	
R7825	NRSA63J-222X	MG RESISTOR	2.2kΩ 1/16W J		R8238	NRSA63J-223X	MG RESISTOR	22kΩ 1/16W J	
R7852	NRSA63J-104X	MG RESISTOR	100kΩ 1/16W J		R8260	NRSA63J-474X	MG RESISTOR	470kΩ 1/16W J	
R7867	NRSA63J-103X	MG RESISTOR	10kΩ 1/16W J		R8261	NRSA63J-474X	MG RESISTOR	470kΩ 1/16W J	
R7871	NRSA63J-104X	MG RESISTOR	100kΩ 1/16W J		R8262	NRSA63J-101X	MG RESISTOR	100Ω 1/16W J	
R7875	NRSA63J-104X	MG RESISTOR	100kΩ 1/16W J		R8263	NRSA63J-475X	MG RESISTOR	4.7MΩ 1/16W J	
R7876	NRSA63J-103X	MG RESISTOR	10kΩ 1/16W J		R8264	NRSA63J-153X	MG RESISTOR	15kΩ 1/16W J	
R7878	NRSA63J-104X	MG RESISTOR	100kΩ 1/16W J		R8265	NRSA63J-562X	MG RESISTOR	5.6kΩ 1/16W J	
R7879	NRSA63J-103X	MG RESISTOR	10kΩ 1/16W J		R8266	NRSA63J-472X	MG RESISTOR	4.7kΩ 1/16W J	
R7881	QRE141J-103Y	C RESISTOR	10kΩ 1/4W J		R8267	NRSA63J-104X	MG RESISTOR	100kΩ 1/16W J	
R7886	NRSA63J-103X	MG RESISTOR	10kΩ 1/16W J		R8268	NRSA63J-622X	MG RESISTOR	6.2kΩ 1/16W J	
R7892	NRSA63J-103X	MG RESISTOR	10kΩ 1/16W J		R8269	QRE141J-222Y	C RESISTOR	2.2kΩ 1/4W J	
R7897	NRSA63J-103X	MG RESISTOR	10kΩ 1/16W J		R8335	NRSA63J-224X	MG RESISTOR	220kΩ 1/16W J	
R8004	NRSA63J-152X	MG RESISTOR	1.5kΩ 1/16W J		R8337	NRSA63J-243X	MG RESISTOR	24kΩ 1/16W J	
R8005	NRSA63J-123X	MG RESISTOR	12kΩ 1/16W J		R8338	NRSA63J-223X	MG RESISTOR	22kΩ 1/16W J	
R8006	NRSA63J-103X	MG RESISTOR	10kΩ 1/16W J		R8507	NRSA63J-104X	MG RESISTOR	100kΩ 1/16W J	
R8020	NRSA63J-392X	MG RESISTOR	3.9kΩ 1/16W J		R8508	NRSA63J-243X	MG RESISTOR	24kΩ 1/16W J	
R8021	NRSA63J-104X	MG RESISTOR	100kΩ 1/16W J		R8509	NRSA63J-243X	MG RESISTOR	24kΩ 1/16W J	
R8030	NRSA63J-302X	MG RESISTOR	3kΩ 1/16W J		R8510	NRSA63J-243X	MG RESISTOR	24kΩ 1/16W J	
R8031	NRSA63J-122X	MG RESISTOR	1.2kΩ 1/16W J		R8511	NRSA63J-243X	MG RESISTOR	24kΩ 1/16W J	
R8032	NRSA63J-123X	MG RESISTOR	12kΩ 1/16W J		R8512	NRSA63J-243X	MG RESISTOR	24kΩ 1/16W J	
R8033	NRSA63J-204X	MG RESISTOR	200kΩ 1/16W J		R8513	NRSA63J-243X	MG RESISTOR	24kΩ 1/16W J	
R8035	NRSA63J-101X	MG RESISTOR	100Ω 1/16W J		R8514	NRSA63J-243X	MG RESISTOR	24kΩ 1/16W J	
R8036	NRSA63J-101X	MG RESISTOR	100Ω 1/16W J		R8521	NRSA63J-243X	MG RESISTOR	24kΩ 1/16W J	
R8037	NRSA63J-393X	MG RESISTOR	39kΩ 1/16W J		R8523	QRZ9006-4R7X	F.RESISTOR	4.7Ω 1/4W J	
R8038	NRSA63J-243X	MG RESISTOR	24kΩ 1/16W J		R8524	QRE141J-561Y	C RESISTOR	560Ω 1/4W J	
R8039	QRE141J-823Y	C RESISTOR	82kΩ 1/4W J		R8529	NRSA63J-113X	MG RESISTOR	11kΩ 1/16W J	
R8042	NRSA63J-392X	MG RESISTOR	3.9kΩ 1/16W J		R8578	NRSA63J-272X	MG RESISTOR	2.7kΩ 1/16W J	
R8043	NRSA63J-103X	MG RESISTOR	10kΩ 1/16W J		R8579	NRSA63J-273X	MG RESISTOR	27kΩ 1/16W J	
R8046	NRSA63J-393X	MG RESISTOR	39kΩ 1/16W J		R8900	QRE141J-102Y	C RESISTOR	1kΩ 1/4W J	
R8060	QRE141J-332Y	C RESISTOR	3.3kΩ 1/4W J		R8910	NRSA63J-471X	MG RESISTOR	470Ω 1/16W J	
R8061	NRSA63J-103X	MG RESISTOR	10kΩ 1/16W J		R8911	NRSA63J-222X	MG RESISTOR	2.2kΩ 1/16W J	
R8062	NRSA63J-103X	MG RESISTOR	10kΩ 1/16W J		R8912	NRSA63J-470X	MG RESISTOR	47Ω 1/16W J	
R8088	NRSA63J-224X	MG RESISTOR	220kΩ 1/16W J		R8913	NRSA63J-473X	MG RESISTOR	47kΩ 1/16W J	
R8090	QRE141J-183Y	C RESISTOR	18kΩ 1/4W J		R8915	NRSA63J-103X	MG RESISTOR	10kΩ 1/16W J	
R8091	QRE141J-823Y	C RESISTOR	82kΩ 1/4W J		R9000	NRSA63J-103X	MG RESISTOR	10kΩ 1/16W J	
R8092	NRSA63J-133X	MG RESISTOR	13kΩ 1/16W J		R9001	NRSA63J-104X	MG RESISTOR	100kΩ 1/16W J	
R8093	NRSA63J-471X	MG RESISTOR	470Ω 1/16W J		R9002	NRSA63J-102X	MG RESISTOR	1kΩ 1/16W J	
R8094	NRSA63J-243X	MG RESISTOR	24kΩ 1/16W J		R9003	NRSA63J-824X	MG RESISTOR	820kΩ 1/16W J	
R8095	NRSA63J-0R0X	MG RESISTOR	0Ω 1/16W J		R9004	NRSA63J-222X	MG RESISTOR	2.2kΩ 1/16W J	
R8104	NRSA63J-152X	MG RESISTOR	1.5kΩ 1/16W J		R9005	NRSA63J-102X	MG RESISTOR	1kΩ 1/16W J	
R8105	NRSA63J-123X	MG RESISTOR	12kΩ 1/16W J		R9006	NRSA63J-103X	MG RESISTOR	10kΩ 1/16W J	
R8106	NRSA63J-103X	MG RESISTOR	10kΩ 1/16W J		R9007	NRSA63J-104X	MG RESISTOR	100kΩ 1/16W J	
R8120	NRSA63J-392X	MG RESISTOR	3.9kΩ 1/16W J		R9008	NRSA63J-102X	MG RESISTOR	1kΩ 1/16W J	
R8121	NRSA63J-104X	MG RESISTOR	100kΩ 1/16W J		R9009	NRSA63J-473X	MG RESISTOR	47kΩ 1/16W J	
R8130	NRSA63J-302X	MG RESISTOR	3kΩ 1/16W J		R9010	NRSA63J-473X	MG RESISTOR	47kΩ 1/16W J	
R8131	NRSA63J-122X	MG RESISTOR	1.2kΩ 1/16W J		R9011	NRSA63J-473X	MG RESISTOR	47kΩ 1/16W J	
R8132	NRSA63J-123X	MG RESISTOR	12kΩ 1/16W J		R9012	NRSA63J-473X	MG RESISTOR	47kΩ 1/16W J	
R8133	NRSA63J-204X	MG RESISTOR	200kΩ 1/16W J		R9013	NRSA63J-103X	MG RESISTOR	10kΩ 1/16W J	
R8135	NRSA63J-101X	MG RESISTOR	100Ω 1/16W J		R9014	NRSA63J-103X	MG RESISTOR	10kΩ 1/16W J	
R8136	NRSA63J-101X	MG RESISTOR	100Ω 1/16W J		R9015	QRE141J-221Y	C RESISTOR	220Ω 1/4W J	
R8137	NRSA63J-393X	MG RESISTOR	39kΩ 1/16W J		R9017	NRSA63J-104X	MG RESISTOR	100kΩ 1/16W J	
R8138	NRSA63J-243X	MG RESISTOR	24kΩ 1/16W J		R9021	NRSA63J-472X	MG RESISTOR	4.7kΩ 1/16W J	
R8139	QRE141J-823Y	C RESISTOR	82kΩ 1/4W J		R9022	NRSA63J-472X	MG RESISTOR	4.7kΩ 1/16W J	
R8142	NRSA63J-392X	MG RESISTOR	3.9kΩ 1/16W J		R9101	NRSA63J-472X	MG RESISTOR	4.7kΩ 1/16W J	
R8143	NRSA63J-103X	MG RESISTOR	10kΩ 1/16W J		R9102	NRSA63J-472X	MG RESISTOR	4.7kΩ 1/16W J	
R8146	NRSA63J-393X	MG RESISTOR	39kΩ 1/16W J		R9103	NRSA63J-472X	MG RESISTOR	4.7kΩ 1/16W J	
R8160	QRE141J-332Y	C RESISTOR	3.3kΩ 1/4W J		R9104	NRSA63J-472X	MG RESISTOR	4.7kΩ 1/16W J	
R8161	NRSA63J-103X	MG RESISTOR	10kΩ 1/16W J		VR901	QVQ306-B24	V RESISTOR		
R8162	NRSA63J-103X	MG RESISTOR	10kΩ 1/16W J						
R8181	NRSA63J-473X	MG RESISTOR	47kΩ 1/16W J		L9100	QQL231K-2R2Y	COIL	2.2uH K	
R8182	NRSA63J-822X	MG RESISTOR	8.2kΩ 1/16W J		L9101	QQL231K-470Y	COIL	47uH K	
R8188	NRSA63J-224X	MG RESISTOR	220kΩ 1/16W J		L9102	QQL231K-470Y	COIL	47uH K	
R8190	QRE141J-183Y	C RESISTOR	18kΩ 1/4W J						
R8191	QRE141J-823Y	C RESISTOR	82kΩ 1/4W J		CN720	QGF1036C1-19	CONNECTOR	FFC/FPC (1-19)	
R8192	NRSA63J-133X	MG RESISTOR	13kΩ 1/16W J		CN730	QGF1205C1-25	CONNECTOR	FFC/FPC (1-25)	
R8193	NRSA63J-471X	MG RESISTOR	470Ω 1/16W J		CN740	QGF1205F1-05	CONNECTOR	FFC/FPC (1-5)	
R8194	NRSA63J-243X	MG RESISTOR	24kΩ 1/16W J		CN750	QGF1205F1-11	CONNECTOR	FFC/FPC (1-11)	
R8195	NRSA63J-0R0X	MG RESISTOR	0Ω 1/16W J		CN760	QGF1205C1-08	CONNECTOR	FFC/FPC (1-8)	
R8211	NRSA63J-223X	MG RESISTOR	22kΩ 1/16W J		CN788	QGF1205C1-05	CONNECTOR	FFC/FPC (1-5)	
R8212	NRSA63J-103X	MG RESISTOR	10kΩ 1/16W J		CN799	QGF1210G1-06	CONNECTOR	FFC/FPC (1-6)	
R8223	NRSA63J-0R0X	MG RESISTOR	0Ω 1/16W J		CN800	QGF1036C1-10	CONNECTOR	FFC/FPC (1-10)	
R8224	NRSA63J-0R0X	MG RESISTOR	0Ω 1/16W J		CN820	QGF1205C1-08	CONNECTOR	FFC/FPC (1-8)	
R8225	NRSA63J-0R0X	MG RESISTOR	0Ω 1/16W J		CN830	QGF1205C1-13	CONNECTOR	FFC/FPC (1-13)	
R8230	NRSA63J-752X	MG RESISTOR	7.5kΩ 1/16W J		CN850	QGB2510J1-06	CONNECTOR	B-B (1-6)	

△ Symbol No.	Part No.	Part Name	Description	Local	△ Symbol No.	Part No.	Part Name	Description	Local
CN901	QGF1205F1-05	CONNECTOR	FFC/FPC (1-5)		C2000	QEZ0706-478	E CAPACITOR	4700uF	
FW910	QUM153-21DGZ4-E	FLAT WIRE			C2004	QEZ0706-478	E CAPACITOR	4700uF	
J700	QNB0261-001	SPK TERMINAL			C2005	QFLC2AJ-103Z	M CAPACITOR	0.01uF 100V J	
J800	QNN0732-001	AUX JACK			C2006	QETM1HM-228	E CAPACITOR	2200uF 50V M	
J880	QNN0284-001	PIN JACK			C2007	QFLC2AJ-103Z	M CAPACITOR	0.01uF 100V J	
J901	QNS0252-001	MIC JACK			C2008	QETM1HM-228	E CAPACITOR	2200uF 50V M	
J902	QNS0252-001	MIC JACK			C2009	QFKC2EK-104Z	MM CAPACITOR	0.1uF 250V K	
J910	QNS0170-001	HEADPHONE JACK			C2010	QCBB1HK-103Y	C CAPACITOR	0.01uF 50V K	
K8000	NRSA63J-0R0X	MG RESISTOR	0Ω 1/16W J		C2011	QCBB1HK-221Y	C CAPACITOR	220pF 50V K	
K8001	NRSA63J-0R0X	MG RESISTOR	0Ω 1/16W J		C2012	QETM1CM-478	E CAPACITOR	4700uF 16V M	
K9100	QQR0621-001Z	FERRITE BEADS			C2013	QETM1EM-478	E CAPACITOR	4700uF 25V M	
RY712	QSK0109-001	RELAY			C9200	QETN1AM-477Z	E CAPACITOR	470uF 10V M	
RY756	QSK0109-001	RELAY			C9201	QCBB1HK-104Y	C CAPACITOR	0.1uF 50V K	
X7700	QAX0711-002Z	CRYSTAL	8.000000MHz		C9204	QETN1HM-105Z	E CAPACITOR	1uF 50V M	
					C9206	QETN1HM-105Z	E CAPACITOR	1uF 50V M	
					C9209	QETN1CM-226Z	E CAPACITOR	22uF 16V M	
					C9211	QETN1HM-105Z	E CAPACITOR	1uF 50V M	
					C9213	QETN1HM-105Z	E CAPACITOR	1uF 50V M	
					C9215	QETN1HM-105Z	E CAPACITOR	1uF 50V M	
					C9216	QCBB1HK-104Y	C CAPACITOR	0.1uF 50V K	
					C9218	QETN0JM-477Z	E CAPACITOR	470uF 6.3V M	
					C9221	QETN0JM-477Z	E CAPACITOR	470uF 6.3V M	
					C9224	QETN0JM-477Z	E CAPACITOR	470uF 6.3V M	
					C9227	QETN0JM-477Z	E CAPACITOR	470uF 6.3V M	
					C9230	QETN0JM-477Z	E CAPACITOR	470uF 6.3V M	
					C9232	QETN0JM-477Z	E CAPACITOR	470uF 6.3V M	
					C9300	QETN0JM-107Z	E CAPACITOR	100uF 6.3V M	
					C9303	QETN1CM-107Z	E CAPACITOR	100uF 16V M	

## Primary board (DX-T5)

Block No. [0][9]

△ Symbol No.	Part No.	Part Name	Description	Local	△ Symbol No.	Part No.	Part Name	Description	Local
IC920	BH7868FS-X	IC			R1000	QRK126J-470X	UNF C RESISTOR	47Ω 1/2W J	
IC930	GP1FAV30TK0F	OPTICAL JACK			R1001	QRE141J-753Y	C RESISTOR	75kΩ 1/4W J	
Q1000	KTC2026/Y/	TRANSISTOR			R1002	QRE141J-104Y	C RESISTOR	100kΩ 1/4W J	
Q1001	KTC3203/OY/-T	TRANSISTOR			R1003	QRE141J-104Y	C RESISTOR	100kΩ 1/4W J	
Q2007	KTA1046/Y/	TRANSISTOR			R1005	QRE141J-753Y	C RESISTOR	75kΩ 1/4W J	
Q2008	KTC3199/GL/-T	TRANSISTOR			R2000	QRE141J-104Y	C RESISTOR	100kΩ 1/4W J	
Q2009	KTC3199/GL/-T	TRANSISTOR			R2001	QRE141J-104Y	C RESISTOR	100kΩ 1/4W J	
Q9300	KRA110M-T	TRANSISTOR			R2002	QRE141J-104Y	C RESISTOR	100kΩ 1/4W J	
Q9301	KRC110M-T	TRANSISTOR			R2003	QRE141J-104Y	C RESISTOR	100kΩ 1/4W J	
Q9303	KTC3199/GL/-T	TRANSISTOR			R2004	QRE141J-681Y	C RESISTOR	680Ω 1/4W J	
△ D1000	1N5402M-20	DIODE			R2005	QRE141J-272Y	C RESISTOR	2.7kΩ 1/4W J	
△ D1001	1N5402M-20	DIODE			R2006	QRE141J-681Y	C RESISTOR	680Ω 1/4W J	
△ D1002	1N5402M-20	DIODE			R2007	QRE141J-472Y	C RESISTOR	4.7kΩ 1/4W J	
△ D1003	1N5402M-20	DIODE			R2008	QRE141J-102Y	C RESISTOR	1kΩ 1/4W J	
△ D1006	6A10E2	SI DIODE			R2009	QRE141J-102Y	C RESISTOR	1kΩ 1/4W J	
△ D1007	6A10E2	SI DIODE			R2010	QRE141J-102Y	C RESISTOR	1kΩ 1/4W J	
△ D1010	6A10E2	SI DIODE			R2011	QRL01DJ-471X	OMF RESISTOR	470Ω 1W J	
△ D1011	6A10E2	SI DIODE			R2012	QRL01DJ-471X	OMF RESISTOR	470Ω 1W J	
D1012	MTZJ6.2B-T2	Z DIODE			R2014	QRE141J-273Y	C RESISTOR	27kΩ 1/4W J	
D1013	MTZJ18B-T2	Z DIODE			R9201	QRE141J-391Y	C RESISTOR	390Ω 1/4W J	
D1014	MTZJ18B-T2	Z DIODE			R9202	QRE141J-391Y	C RESISTOR	390Ω 1/4W J	
D1015	1N4003S-T5	SI DIODE			R9203	QRE141J-361Y	C RESISTOR	360Ω 1/4W J	
D1016	1N4003S-T5	SI DIODE			R9204	QRE141J-131Y	C RESISTOR	130Ω 1/4W J	
D1017	1N4003S-T5	SI DIODE			R9205	QRE141J-361Y	C RESISTOR	360Ω 1/4W J	
△ D2001	6A10E2	SI DIODE			R9206	QRE141J-131Y	C RESISTOR	130Ω 1/4W J	
△ D2002	6A10E2	SI DIODE			R9207	QRE141J-391Y	C RESISTOR	390Ω 1/4W J	
△ D2003	6A10E2	SI DIODE			R9208	QRE141J-391Y	C RESISTOR	390Ω 1/4W J	
△ D2004	6A10E2	SI DIODE			R9210	QRE141J-391Y	C RESISTOR	390Ω 1/4W J	
D2008	2A02-M	DIODE			R9218	QRE141J-750Y	C RESISTOR	75Ω 1/4W J	
D2009	MTZJ5.1C-T2	Z DIODE			R9221	QRE141J-750Y	C RESISTOR	75Ω 1/4W J	
D2013	1SS133-T2	SI DIODE			R9224	QRE141J-750Y	C RESISTOR	75Ω 1/4W J	
D9300	2A02-M	DIODE			R9227	QRE141J-750Y	C RESISTOR	75Ω 1/4W J	
D9301	MTZJ3.3B-T2	Z DIODE			R9230	QRE141J-750Y	C RESISTOR	75Ω 1/4W J	
D9302	MTZJ2.0A-T2	Z DIODE			R9232	QRE141J-750Y	C RESISTOR	75Ω 1/4W J	
D9303	MTZJ3.9B-T2	Z DIODE			R9300	QRT017J-2R2	MF RESISTOR	2.2Ω 1W J	
D9310	MTZJ3.0B-T2	Z DIODE			R9301	QRE141J-681Y	C RESISTOR	680Ω 1/4W J	
D9311	1N4003S-T5	SI DIODE			R9302	QRZ9006-4R7X	F.RESISTOR	4.7Ω 1/4W J	
D9312	1N4003S-T5	SI DIODE			R9303	QRE141J-271Y	C RESISTOR	270Ω 1/4W J	
D9313	1N4003S-T5	SI DIODE			R9310	QRE141J-470Y	C RESISTOR	47Ω 1/4W J	
C1002	QETN1HM-226Z	E CAPACITOR	22uF 50V M		CN100	QGA7901C1-02	CONNECTOR	W-B (1-2)	
C1003	QETN1HM-226Z	E CAPACITOR	22uF 50V M		CN101	QGA7901C1-04	CONNECTOR	W-B (1-4)	
C1004	QDYB1CM-103Y	C CAPACITOR	0.01uF 16V M		CN102	QGA7901C1-03	CONNECTOR	W-B (1-3)	
C1005	QETN1HM-106Z	E CAPACITOR	10uF 50V M		CN103	QGA3901F1-08	CONNECTOR	W-B (1-8)	
C1010	QFLC1HJ-104Z	M CAPACITOR	0.1uF 50V J		CN104	QGB2510J1-13	CONNECTOR	B-B (1-13)	
C1011	QFLC1HJ-104Z	M CAPACITOR	0.1uF 50V J		CN105	QGD2503F1-03	CONNECTOR	(1-3)	
C1012	QFLC1HJ-104Z	M CAPACITOR	0.1uF 50V J		CN106	QGA3901F1-03	CONNECTOR	W-B (1-3)	
C1013	QFKC2EK-104Z	MM CAPACITOR	0.1uF 250V K		CN200	QGB2510J1-12	CONNECTOR	B-B (1-12)	
C1014	QFKC2EK-104Z	MM CAPACITOR	0.1uF 250V K						
C1015	QFKC2EK-103Z	MM CAPACITOR	0.01uF 250V K						
C1016	QETN2AM-476Z	E CAPACITOR	47uF 100V M						
C1017	QETN1HM-107Z	E CAPACITOR	100uF 50V M						

Symbol No.	Part No.	Part Name	Description	Local
CN201	QGB2510J1-09	CONNECTOR	B-B (1-9)	
CN202	QGD2504C1-03Z	CONNECTOR	(1-3)	
CN203	QGB2510K2-06	CONNECTOR	B-B (1-6)	
CN204	QGB2510K2-13	CONNECTOR	B-B (1-13)	
CN920	QGF1205C1-08	CONNECTOR	FFC/FPC (1-8)	
CN930	QGF1036C1-28	CONNECTOR	FFC/FPC (1-28)	
CN931	QGF1205C1-11	CONNECTOR	FFC/FPC (1-11)	
EP201	E409182-001SM	GRAND TERMINAL		
H2001	GV40577-001A	HEAT SINK		
IH920	GV40397-003A	IC HOLDER		
J920	QNN0624-001	PIN JACK		
J921	QNN0557-002	PIN JACK		
PP201	QZW0038-001	WIRE CLAMP		
PP202	QZW0038-001	WIRE CLAMP		
△S1000	QSW0812-001	VOLTAGE SWITCH		
Z1001	QNG0003-001Z	FUSE CLIP		
Z1002	QNG0003-001Z	FUSE CLIP		
Z1003	QNG0003-001Z	FUSE CLIP		
Z1004	QNG0003-001Z	FUSE CLIP		
Z1005	QNG0003-001Z	FUSE CLIP		
Z1006	QNG0003-001Z	FUSE CLIP		
Z1007	QNG0003-001Z	FUSE CLIP		
Z1008	QNG0003-001Z	FUSE CLIP		
Z1009	QNG0003-001Z	FUSE CLIP		
Z1010	QNG0003-001Z	FUSE CLIP		
Z1011	QNG0003-001Z	FUSE CLIP		
Z1012	QNG0003-001Z	FUSE CLIP		
Z1013	QNG0003-001Z	FUSE CLIP		
Z1014	QNG0003-001Z	FUSE CLIP		
Z1015	QNG0003-001Z	FUSE CLIP		
Z1016	QNG0003-001Z	FUSE CLIP		

Symbol No.	Part No.	Part Name	Description	Local
C106	NBE20JM-226X	TA E CAPACITOR	22uF 6.3V M	
C107	NCF31EZ-104X	C CAPACITOR	0.1uF 25V Z	
C108	NBE20JM-226X	TA E CAPACITOR	22uF 6.3V M	
C201	NDC31HJ-221X	C CAPACITOR	220pF 50V J	
C202	NDC31HJ-221X	C CAPACITOR	220pF 50V J	
C203	NCB31HK-103X	C CAPACITOR	0.01uF 50V K	
C204	NCF31EZ-104X	C CAPACITOR	0.1uF 25V Z	
C205	NCB31HK-271X	C CAPACITOR	270pF 50V K	
C206	NDC31HJ-151X	C CAPACITOR	150pF 50V J	
C210	NCF31AZ-105X	C CAPACITOR	1uF 10V Z	
C211	NCB31EK-223X	C CAPACITOR	0.022uF 25V K	
C217	NCF31EZ-104X	C CAPACITOR	0.1uF 25V Z	
C251	NCB31AK-474X	C CAPACITOR	0.47uF 10V K	
C256	NCB31CK-104X	C CAPACITOR	0.1uF 16V K	
C257	NCB31HK-822X	C CAPACITOR	8200pF 50V K	
C258	NCB31CK-153X	C CAPACITOR	0.015uF 16V K	
C259	NCB31CK-153X	C CAPACITOR	0.015uF 16V K	
C260	NCB31HK-223X	C CAPACITOR	0.022uF 50V K	
C261	NCB31HK-223X	C CAPACITOR	0.022uF 50V K	
C262	NCB31HK-223X	C CAPACITOR	0.022uF 50V K	
C300	NCF31EZ-104X	C CAPACITOR	0.1uF 25V Z	
C301	NEAF0GM-476X	E CAPACITOR	47uF 4V M	
C302	NEAF0GM-476X	E CAPACITOR	47uF 4V M	
C303	NEAF0GM-476X	E CAPACITOR	47uF 4V M	
C304	NCB30JK-105X	C CAPACITOR	1uF 6.3V K	
C305	NCF31EZ-104X	C CAPACITOR	0.1uF 25V Z	
C306	NCF31EZ-104X	C CAPACITOR	0.1uF 25V Z	
C307	NCF31EZ-104X	C CAPACITOR	0.1uF 25V Z	
C308	NCF31EZ-104X	C CAPACITOR	0.1uF 25V Z	
C309	NCF31EZ-104X	C CAPACITOR	0.1uF 25V Z	
C310	NCB31CK-104X	C CAPACITOR	0.1uF 16V K	
C311	NCF31EZ-104X	C CAPACITOR	0.1uF 25V Z	
C312	NCF31EZ-104X	C CAPACITOR	0.1uF 25V Z	
C313	NCF31EZ-104X	C CAPACITOR	0.1uF 25V Z	
C314	NCF31EZ-104X	C CAPACITOR	0.1uF 25V Z	
C315	NCF31EZ-104X	C CAPACITOR	0.1uF 25V Z	
C316	NCF31EZ-104X	C CAPACITOR	0.1uF 25V Z	
C318	NCF31EZ-104X	C CAPACITOR	0.1uF 25V Z	
C319	NCF31EZ-104X	C CAPACITOR	0.1uF 25V Z	
C320	NCB31CK-104X	C CAPACITOR	0.1uF 16V K	
C321	NCB31CK-104X	C CAPACITOR	0.1uF 16V K	
C322	NCB31CK-104X	C CAPACITOR	0.1uF 16V K	
C323	NCB31CK-104X	C CAPACITOR	0.1uF 16V K	
C324	NCB30JK-105X	C CAPACITOR	1uF 6.3V K	
C325	NDC31HJ-120X	C CAPACITOR	12pF 50V J	
C326	NDC31HJ-100X	C CAPACITOR	10pF 50V J	
C328	NCB31HK-103X	C CAPACITOR	0.01uF 50V K	
C329	NCF31EZ-104X	C CAPACITOR	0.1uF 25V Z	
C330	NCF31EZ-104X	C CAPACITOR	0.1uF 25V Z	
C331	NCB31CK-333X	C CAPACITOR	0.033uF 16V K	
C332	NCF31EZ-104X	C CAPACITOR	0.1uF 25V Z	
C333	NCF31EZ-104X	C CAPACITOR	0.1uF 25V Z	
C334	NCF31EZ-104X	C CAPACITOR	0.1uF 25V Z	
C335	NCF31EZ-104X	C CAPACITOR	0.1uF 25V Z	
C337	NCB31CK-183X	C CAPACITOR	0.018uF 16V K	
C338	NCB31HK-562X	C CAPACITOR	5600pF 50V K	
C339	NBE20JM-106X	TA E CAPACITOR	10uF 6.3V M	
C340	NCB30JK-105X	C CAPACITOR	1uF 6.3V K	
C341	NCB30JK-105X	C CAPACITOR	1uF 6.3V K	
C347	NCB31CK-104X	C CAPACITOR	0.1uF 16V K	
C348	NCB31CK-104X	C CAPACITOR	0.1uF 16V K	
C349	NCF31EZ-104X	C CAPACITOR	0.1uF 25V Z	
C350	NCB31HK-103X	C CAPACITOR	0.01uF 50V K	
C351	NCB31HK-103X	C CAPACITOR	0.01uF 50V K	
C352	NCB31CK-153X	C CAPACITOR	0.015uF 16V K	
C353	NCB31HK-561X	C CAPACITOR	560pF 50V K	
C354	NCB31HK-561X	C CAPACITOR	560pF 50V K	
C356	NCB30JK-105X	C CAPACITOR	1uF 6.3V K	
C359	NCB30JK-105X	C CAPACITOR	1uF 6.3V K	
C371	NCF31AZ-105X	C CAPACITOR	1uF 10V Z	
C372	NCF31EZ-104X	C CAPACITOR	0.1uF 25V Z	
C373	NCF31EZ-104X	C CAPACITOR	0.1uF 25V Z	
C374	NCF31EZ-104X	C CAPACITOR	0.1uF 25V Z	
C375	NCF31EZ-104X	C CAPACITOR	0.1uF 25V Z	
C376	NCF31EZ-104X	C CAPACITOR	0.1uF 25V Z	
C377	NCF31EZ-104X	C CAPACITOR	0.1uF 25V Z	
C378	NCF31EZ-104X	C CAPACITOR	0.1uF 25V Z	
C379	NCF31EZ-104X	C CAPACITOR	0.1uF 25V Z	

## DVD servo board(FMU-SM1-1M)

(DX-T9,DX-T7)

Block No. [1][0]

Symbol No.	Part No.	Part Name	Description	Local
IC201	LA6502-X	IC		
IC301	MN2DS0009AA	IC		
IC302	MM1701CH-X	IC		
IC305	MM1563BF-X	IC	3.1V Regulator	
IC451	MN101C61GNW	IC		
IC452	BR93L56RFV-W-X	IC		
IC453	S-80827CNNB-G-W	IC		
IC505	K4S641632H-UC75	IC		
IC505	or HY57V641620ETP7	IC(DIGITAL)		
IC509	SG32M90TFIR3	IC(MICRO C ROM)		
IC510	BR24L16FV-W-X	IC		
IC701	AK4384VT-X	IC		
IC701	or AK4384ET-X	IC		
IC702	AK4384VT-X	IC		
IC702	or AK4384ET-X	IC		
IC703	AK4384VT-X	IC		
IC703	or AK4384ET-X	IC		
IC704	AK5357VT-X	IC		
IC704	or AK5357ET-X	IC		
IC705	MM1615AN-X	IC		
Q101	KTA1001/Y/-X	TRANSISTOR		
Q101	or 2SB1424/R/-W	TRANSISTOR		
Q102	2SC4617/R/-X	TRANSISTOR		
Q103	KTA1001/Y/-X	TRANSISTOR		
Q103	or 2SB1424/R/-W	TRANSISTOR		
Q104	2SC4617/R/-X	TRANSISTOR		
Q105	UN2119-X	TRANSISTOR		
Q105	or KRA116S-X	TRANSISTOR		
C101	NCF31EZ-104X	C CAPACITOR	0.1uF 25V Z	
C102	NCF31EZ-104X	C CAPACITOR	0.1uF 25V Z	
C103	NCF31EZ-104X	C CAPACITOR	0.1uF 25V Z	
C104	NCF31EZ-104X	C CAPACITOR	0.1uF 25V Z	
C105	NEAF0JM-476X	E CAPACITOR	47uF 6.3V M	

△ Symbol No.	Part No.	Part Name	Description	Local	△ Symbol No.	Part No.	Part Name	Description	Local
C380	NCB21CK-105X	C CAPACITOR	1uF 16V K		R316	NRSA63J-102X	MG RESISTOR	1kΩ 1/16W J	
C381	NCB21AK-225X	C CAPACITOR	2.2uF 10V K		R319	NRSA63J-103X	MG RESISTOR	10kΩ 1/16W J	
C382	NCB31HK-471X	C CAPACITOR	470pF 50V K		R324	NRSA63J-331X	MG RESISTOR	330Ω 1/16W J	
C383	NCF31EZ-104X	C CAPACITOR	0.1uF 25V Z		R325	NRSA63J-331X	MG RESISTOR	330Ω 1/16W J	
C386	NCF31EZ-104X	C CAPACITOR	0.1uF 25V Z		R326	NRSA63J-331X	MG RESISTOR	330Ω 1/16W J	
C393	NCB31HK-103X	C CAPACITOR	0.01uF 50V K		R327	NRSA63J-331X	MG RESISTOR	330Ω 1/16W J	
C451	NCF31EZ-104X	C CAPACITOR	0.1uF 25V Z		R330	NRSA63J-331X	MG RESISTOR	330Ω 1/16W J	
C452	NCB31CK-104X	C CAPACITOR	0.1uF 16V K		R331	NRSA63J-331X	MG RESISTOR	330Ω 1/16W J	
C453	NCF31EZ-104X	C CAPACITOR	0.1uF 25V Z		R332	NRSA63J-331X	MG RESISTOR	330Ω 1/16W J	
C454	NCB31HK-103X	C CAPACITOR	0.01uF 50V K		R334	NRSA63J-151X	MG RESISTOR	150Ω 1/16W J	
C455	NCB31HK-103X	C CAPACITOR	0.01uF 50V K		R335	NRSA63J-151X	MG RESISTOR	150Ω 1/16W J	
C551	NCF31EZ-104X	C CAPACITOR	0.1uF 25V Z		R336	NRSA63J-151X	MG RESISTOR	150Ω 1/16W J	
C554	NCF31EZ-104X	C CAPACITOR	0.1uF 25V Z		R337	NRSA63J-151X	MG RESISTOR	150Ω 1/16W J	
C555	NCF31EZ-104X	C CAPACITOR	0.1uF 25V Z		R338	NRSA63J-0R0X	MG RESISTOR	0Ω 1/16W J	
C556	NCF31AZ-105X	C CAPACITOR	1uF 10V Z		R339	NRSA63J-0R0X	MG RESISTOR	0Ω 1/16W J	
C557	NCB31HK-102X	C CAPACITOR	1000pF 50V K		R340	NRSA63D-303X	MG RESISTOR	30kΩ 1/16W D	
C558	NEAF0GM-476X	E CAPACITOR	47uF 4V M		R341	NRSA63D-512X	MG RESISTOR	5.1kΩ 1/16W D	
C559	NCF31EZ-104X	C CAPACITOR	0.1uF 25V Z		R342	NRSA63D-242X	MG RESISTOR	2.4kΩ 1/16W D	
C560	NCF31EZ-104X	C CAPACITOR	0.1uF 25V Z		R345	NRSA63J-221X	MG RESISTOR	220Ω 1/16W J	
C563	NCF31EZ-104X	C CAPACITOR	0.1uF 25V Z		R346	NRSA63J-223X	MG RESISTOR	22kΩ 1/16W J	
C564	NCF31EZ-104X	C CAPACITOR	0.1uF 25V Z		R347	NRSA63J-203X	MG RESISTOR	20kΩ 1/16W J	
C701	NCB21CK-105X	C CAPACITOR	1uF 16V K		R348	NRSA63J-151X	MG RESISTOR	150Ω 1/16W J	
C702	NCB31HK-103X	C CAPACITOR	0.01uF 50V K		R349	NRSA63J-151X	MG RESISTOR	150Ω 1/16W J	
C703	NCB30JK-105X	C CAPACITOR	1uF 6.3V K		R350	NRSA63J-751X	MG RESISTOR	750Ω 1/16W J	
C704	NCF31AZ-105X	C CAPACITOR	1uF 10V Z		R351	NRSA63J-681X	MG RESISTOR	680Ω 1/16W J	
C705	NCF31EZ-104X	C CAPACITOR	0.1uF 25V Z		R352	NRSA63J-105X	MG RESISTOR	1MΩ 1/16W J	
C706	NCF31EZ-104X	C CAPACITOR	0.1uF 25V Z		R353	NRSA63J-101X	MG RESISTOR	100Ω 1/16W J	
C707	NEAF1CM-106X	E CAPACITOR	10uF 16V M		R357	NRSA63J-221X	MG RESISTOR	220Ω 1/16W J	
C708	NEAF1CM-106X	E CAPACITOR	10uF 16V M		R358	NRSA63J-221X	MG RESISTOR	220Ω 1/16W J	
C709	NEAF0JM-476X	E CAPACITOR	47uF 6.3V M		R359	NRSA63J-221X	MG RESISTOR	220Ω 1/16W J	
C712	NCF31EZ-104X	C CAPACITOR	0.1uF 25V Z		R360	NRSA63J-221X	MG RESISTOR	220Ω 1/16W J	
C713	NEAF1CM-106X	E CAPACITOR	10uF 16V M		R362	NRSA63J-331X	MG RESISTOR	330Ω 1/16W J	
C714	NCF31EZ-104X	C CAPACITOR	0.1uF 25V Z		R367	NRSA63J-221X	MG RESISTOR	220Ω 1/16W J	
C715	NCF31EZ-104X	C CAPACITOR	0.1uF 25V Z		R372	NRSA63J-103X	MG RESISTOR	10kΩ 1/16W J	
C716	NCF31EZ-104X	C CAPACITOR	0.1uF 25V Z		R373	NRSA63J-103X	MG RESISTOR	10kΩ 1/16W J	
C717	NCF31EZ-104X	C CAPACITOR	0.1uF 25V Z		R374	NRSA63J-102X	MG RESISTOR	1kΩ 1/16W J	
C718	NCF31EZ-104X	C CAPACITOR	0.1uF 25V Z		R375	NRSA63J-102X	MG RESISTOR	1kΩ 1/16W J	
C722	NCF31EZ-104X	C CAPACITOR	0.1uF 25V Z		R376	NRSA63J-102X	MG RESISTOR	1kΩ 1/16W J	
					R377	NRSA63J-102X	MG RESISTOR	1kΩ 1/16W J	
R101	NRSA63J-101X	MG RESISTOR	100Ω 1/16W J		R378	NRSA63J-102X	MG RESISTOR	1kΩ 1/16W J	
R102	NRSA63J-101X	MG RESISTOR	100Ω 1/16W J		R383	NRSA63J-101X	MG RESISTOR	100Ω 1/16W J	
R103	NRSA63J-562X	MG RESISTOR	5.6kΩ 1/16W J		R384	NRSA63J-102X	MG RESISTOR	1kΩ 1/16W J	
R104	NRSA63J-432X	MG RESISTOR	4.3kΩ 1/16W J		R385	NRSA63J-102X	MG RESISTOR	1kΩ 1/16W J	
R105	NRS181J-180X	MG RESISTOR	18Ω 1/8W J		R392	NRSA63J-103X	MG RESISTOR	10kΩ 1/16W J	
R106	NRSA63J-2R2X	MG RESISTOR	2.2Ω 1/16W J		R393	NRSA63J-0R0X	MG RESISTOR	0Ω 1/16W J	
R107	NRSA63J-102X	MG RESISTOR	1kΩ 1/16W J		R394	NRSA63J-0R0X	MG RESISTOR	0Ω 1/16W J	
R108	NRSA63J-471X	MG RESISTOR	470Ω 1/16W J		R452	NRSA63J-222X	MG RESISTOR	2.2kΩ 1/16W J	
R109	NRSA63J-331X	MG RESISTOR	330Ω 1/16W J		R453	NRSA63J-103X	MG RESISTOR	10kΩ 1/16W J	
R111	NRSA63J-562X	MG RESISTOR	5.6kΩ 1/16W J		R454	NRSA63J-103X	MG RESISTOR	10kΩ 1/16W J	
R112	NRSA63J-432X	MG RESISTOR	4.3kΩ 1/16W J		R455	NRSA63J-103X	MG RESISTOR	10kΩ 1/16W J	
R113	NRS181J-180X	MG RESISTOR	18Ω 1/8W J		R456	NRSA63J-103X	MG RESISTOR	10kΩ 1/16W J	
R114	NRSA63J-2R2X	MG RESISTOR	2.2Ω 1/16W J		R457	NRSA63J-101X	MG RESISTOR	100Ω 1/16W J	
R115	NRSA63J-102X	MG RESISTOR	1kΩ 1/16W J		R458	NRSA63J-102X	MG RESISTOR	1kΩ 1/16W J	
R116	NRSA63J-471X	MG RESISTOR	470Ω 1/16W J		R461	NRSA63J-101X	MG RESISTOR	100Ω 1/16W J	
R117	NRSA63J-331X	MG RESISTOR	330Ω 1/16W J		R463	NRSA63J-101X	MG RESISTOR	100Ω 1/16W J	
R125	NRSA63J-1R0X	MG RESISTOR	1Ω 1/16W J		R464	NRSA63J-101X	MG RESISTOR	100Ω 1/16W J	
R126	NRSA63J-101X	MG RESISTOR	100Ω 1/16W J		R465	NRSA63J-102X	MG RESISTOR	1kΩ 1/16W J	
R127	NRSA63J-432X	MG RESISTOR	4.3kΩ 1/16W J		R535	NRSA63J-473X	MG RESISTOR	47kΩ 1/16W J	
R128	NRSA63J-562X	MG RESISTOR	5.6kΩ 1/16W J		R541	NRSA63J-473X	MG RESISTOR	47kΩ 1/16W J	
R202	NRSA63J-102X	MG RESISTOR	1kΩ 1/16W J		R701	NRSA63J-2R2X	MG RESISTOR	2.2Ω 1/16W J	
R204	NRSA63J-273X	MG RESISTOR	27kΩ 1/16W J		R703	NRSA63J-471X	MG RESISTOR	470Ω 1/16W J	
R205	NRSA63J-273X	MG RESISTOR	27kΩ 1/16W J		R704	NRSA63J-471X	MG RESISTOR	470Ω 1/16W J	
R206	NRSA63J-303X	MG RESISTOR	30kΩ 1/16W J		R705	NRSA63J-471X	MG RESISTOR	470Ω 1/16W J	
R207	NRSA63J-473X	MG RESISTOR	47kΩ 1/16W J		R706	NRSA63J-471X	MG RESISTOR	470Ω 1/16W J	
R213	NRSA63J-103X	MG RESISTOR	10kΩ 1/16W J		R707	NRSA63J-471X	MG RESISTOR	470Ω 1/16W J	
R214	NRSA63J-103X	MG RESISTOR	10kΩ 1/16W J		R708	NRSA63J-471X	MG RESISTOR	470Ω 1/16W J	
R219	NRSA63J-183X	MG RESISTOR	18kΩ 1/16W J		R714	NRSA63J-101X	MG RESISTOR	100Ω 1/16W J	
R220	NRSA63J-243X	MG RESISTOR	24kΩ 1/16W J		R715	NRSA63J-101X	MG RESISTOR	100Ω 1/16W J	
R221	NRSA63J-682X	MG RESISTOR	6.8kΩ 1/16W J		R716	NRSA63J-471X	MG RESISTOR	470Ω 1/16W J	
R251	NRS125J-R39X	MG RESISTOR	0.39Ω 1/2W J		R717	NRSA63J-473X	MG RESISTOR	47kΩ 1/16W J	
R259	NRSA63J-103X	MG RESISTOR	10kΩ 1/16W J		R719	NRSA63J-5R1X	MG RESISTOR	5.1Ω 1/16W J	
R301	NRS181J-0R0X	MG RESISTOR	0Ω 1/8W J		R720	NRSA63J-473X	MG RESISTOR	47kΩ 1/16W J	
R303	NRSA63J-220X	MG RESISTOR	22Ω 1/16W J		R722	NRSA63J-0R0X	MG RESISTOR	0Ω 1/16W J	
R306	NRSA63J-102X	MG RESISTOR	1kΩ 1/16W J		R731	NRSA63J-102X	MG RESISTOR	1kΩ 1/16W J	
R307	NRSA63J-102X	MG RESISTOR	1kΩ 1/16W J		R732	NRSA63J-471X	MG RESISTOR	470Ω 1/16W J	
R308	NRSA63J-103X	MG RESISTOR	10kΩ 1/16W J						
R309	NRSA63J-104X	MG RESISTOR	100kΩ 1/16W J		CN101	QGF0523F1-25W	CONNECTOR	FFC/FPC (1-25)	
R310	NRSA63J-101X	MG RESISTOR	100Ω 1/16W J		CN201	QGF1016F2-08W	CONNECTOR	FFC/FPC (1-8)	

Symbol No.	Part No.	Part Name	Description	Local
CN451	QGF1016F2-15W	CONNECTOR	FFC/FPC (1-15)	
CN452	QGA2001F2-02X	CONNECTOR	W-B (1-2)	
CN453	QGA2001F2-03X	CONNECTOR	W-B (1-3)	
CN701	QGF1016F2-28W	CONNECTOR	FFC/FPC (1-28)	
CN702	QGF1016F2-10W	CONNECTOR	FFC/FPC (1-10)	
CN703	QGF1016F2-08W	CONNECTOR	FFC/FPC (1-8)	
K351	NQR0502-001X	FERRITE BEADS		
K352	NQR0502-001X	FERRITE BEADS		
K454	NRSA63J-0R0X	MG RESISTOR	0Ω 1/16W J	
K455	NRSA63J-0R0X	MG RESISTOR	0Ω 1/16W J	
K456	NRSA63J-0R0X	MG RESISTOR	0Ω 1/16W J	
K501	NQR0502-001X	FERRITE BEADS		
K710	NQR0022-002X	FERRITE BEADS		
K732	NRSA63J-0R0X	MG RESISTOR	0Ω 1/16W J	
K733	NRSA63J-0R0X	MG RESISTOR	0Ω 1/16W J	
K734	NRSA63J-0R0X	MG RESISTOR	0Ω 1/16W J	
K735	NRSA63J-0R0X	MG RESISTOR	0Ω 1/16W J	
K736	NRSA63J-0R0X	MG RESISTOR	0Ω 1/16W J	
K737	NRSA63J-0R0X	MG RESISTOR	0Ω 1/16W J	
K738	NQR0022-005X	FERRITE BEADS		
K741	NQR0022-002X	FERRITE BEADS		
K744	NRSA63J-0R0X	MG RESISTOR	0Ω 1/16W J	
K748	NRSA63J-0R0X	MG RESISTOR	0Ω 1/16W J	
K749	NRSA63J-0R0X	MG RESISTOR	0Ω 1/16W J	
K750	NQR0022-002X	FERRITE BEADS		
K752	NQR0022-002X	FERRITE BEADS		
K754	NQR0022-002X	FERRITE BEADS		
K756	NQR0022-002X	FERRITE BEADS		
K758	NQR0022-002X	FERRITE BEADS		
TH301	NAD0025-103X	N THERMISTOR	10kΩ	
X301	NAX0741-001X	CRYSTAL		
X451	NAX0248-001X	C OSCILLATOR	8.000MHz	

## DVD servo board(FMU-SM1-11M) (DX-T5)

Block No. [1][2]

Symbol No.	Part No.	Part Name	Description	Local
IC201	LA6502-X	IC		
IC301	MN2DS0009AA	IC		
IC302	MM1701CH-X	IC		
IC305	MM1563BF-X	IC		3.1V Regulator
IC451	MN101C61GNW	IC		
IC452	BR93L56RFV-W-X	IC		
IC453	S-80827CNNB-G-W	IC		
IC505	K4S641632H-UC75	IC		
IC505	or HY57V641620ETP7	IC(DIGITAL)		
IC509	SG32M90TFIR3	IC(MICRO C ROM)		
IC510	BR24L16FV-W-X	IC		
IC701	AK4384VT-X	IC		
IC701	or AK4384ET-X	IC		
IC705	MM1615AN-X	IC		
Q101	KTA1001Y/-X	TRANSISTOR		
Q101	or 2SB1424/R/-W	TRANSISTOR		
Q102	2SC4617/R/-X	TRANSISTOR		
Q103	KTA1001Y/-X	TRANSISTOR		
Q103	or 2SB1424/R/-W	TRANSISTOR		
Q104	2SC4617/R/-X	TRANSISTOR		
Q105	UN2119-X	TRANSISTOR		
Q105	or KRA116S-X	TRANSISTOR		
C101	NCF31EZ-104X	C CAPACITOR	0.1uF 25V Z	
C102	NCF31EZ-104X	C CAPACITOR	0.1uF 25V Z	
C103	NCF31EZ-104X	C CAPACITOR	0.1uF 25V Z	
C104	NCF31EZ-104X	C CAPACITOR	0.1uF 25V Z	
C105	NEAF0JM-476X	E CAPACITOR	47uF 6.3V M	
C106	NBE20JM-226X	TA E CAPACITOR	22uF 6.3V M	
C107	NCF31EZ-104X	C CAPACITOR	0.1uF 25V Z	
C108	NBE20JM-226X	TA E CAPACITOR	22uF 6.3V M	
C201	NDC31HJ-221X	C CAPACITOR	220pF 50V J	
C202	NDC31HJ-221X	C CAPACITOR	220pF 50V J	
C203	NCB31HK-103X	C CAPACITOR	0.01uF 50V K	
C204	NCF31EZ-104X	C CAPACITOR	0.1uF 25V Z	
C205	NCB31HK-271X	C CAPACITOR	270pF 50V K	
C206	NDC31HJ-151X	C CAPACITOR	150pF 50V J	
C210	NCF31AZ-105X	C CAPACITOR	1uF 10V Z	
C211	NCB31EK-223X	C CAPACITOR	0.022uF 25V K	
C217	NCF31EZ-104X	C CAPACITOR	0.1uF 25V Z	
C251	NCB31AK-474X	C CAPACITOR	0.47uF 10V K	
C256	NCB31CK-104X	C CAPACITOR	0.1uF 16V K	
C257	NCB31HK-822X	C CAPACITOR	8200pF 50V K	
C258	NCB31CK-153X	C CAPACITOR	0.015uF 16V K	
C259	NCB31CK-153X	C CAPACITOR	0.015uF 16V K	
C260	NCB31HK-223X	C CAPACITOR	0.022uF 50V K	
C261	NCB31HK-223X	C CAPACITOR	0.022uF 50V K	
C262	NCB31HK-223X	C CAPACITOR	0.022uF 50V K	
C300	NCF31EZ-104X	C CAPACITOR	0.1uF 25V Z	
C301	NEAF0GM-476X	E CAPACITOR	47uF 4V M	
C302	NEAF0GM-476X	E CAPACITOR	47uF 4V M	
C303	NEAF0GM-476X	E CAPACITOR	47uF 4V M	
C304	NCB30JK-105X	C CAPACITOR	1uF 6.3V K	
C305	NCF31EZ-104X	C CAPACITOR	0.1uF 25V Z	
C306	NCF31EZ-104X	C CAPACITOR	0.1uF 25V Z	
C307	NCF31EZ-104X	C CAPACITOR	0.1uF 25V Z	
C308	NCF31EZ-104X	C CAPACITOR	0.1uF 25V Z	
C309	NCF31EZ-104X	C CAPACITOR	0.1uF 25V Z	
C310	NCB31CK-104X	C CAPACITOR	0.1uF 16V K	
C311	NCF31EZ-104X	C CAPACITOR	0.1uF 25V Z	
C312	NCF31EZ-104X	C CAPACITOR	0.1uF 25V Z	
C313	NCF31EZ-104X	C CAPACITOR	0.1uF 25V Z	
C314	NCF31EZ-104X	C CAPACITOR	0.1uF 25V Z	
C315	NCF31EZ-104X	C CAPACITOR	0.1uF 25V Z	
C316	NCF31EZ-104X	C CAPACITOR	0.1uF 25V Z	
C318	NCF31EZ-104X	C CAPACITOR	0.1uF 25V Z	
C319	NCF31EZ-104X	C CAPACITOR	0.1uF 25V Z	
C320	NCB31CK-104X	C CAPACITOR	0.1uF 16V K	
C321	NCB31CK-104X	C CAPACITOR	0.1uF 16V K	
C322	NCB31CK-104X	C CAPACITOR	0.1uF 16V K	
C323	NCB31CK-104X	C CAPACITOR	0.1uF 16V K	
C324	NCB30JK-105X	C CAPACITOR	1uF 6.3V K	
C325	NDC31HJ-120X	C CAPACITOR	12pF 50V J	

## Loading board(FMU-SM1-1M)

(DX-T9,DX-T7)

Block No. [1][1]

Symbol No.	Part No.	Part Name	Description	Local
IC1	LB1641	IC		
IC2	LB1641	IC		
D1	MTZJ6.2A-T2	Z DIODE		
C1	QEKC1AM-107Z	E CAPACITOR	100uF 10V M	
C2	QCBB1HK-104Y	C CAPACITOR	0.1uF 50V K	
C3	QFLC1HJ-103Z	M CAPACITOR	0.01uF 50V J	
C5	QFLC1HJ-103Z	M CAPACITOR	0.01uF 50V J	
C6	QCBB1HK-104Y	C CAPACITOR	0.1uF 50V K	
C7	QCBB1HK-104Y	C CAPACITOR	0.1uF 50V K	
CN1	QGF1036F1-15	CONNECTOR	FFC/FPC (1-15)	
CN2	QGB2024K1-07S	CONNECTOR	B-B (1-7)	
CN3	QGB2024J1-07S	CONNECTOR	B-B (1-7)	
SW1	QSW0844-001	PUSH SWITCH		
SW2	QSW0844-001	PUSH SWITCH		
SW3	QSW0844-001	PUSH SWITCH		
SW4	QSW0844-001	PUSH SWITCH		
SW5	QSW0844-001	PUSH SWITCH		
SW6	QSW0854-002	PUSH SW		
SW8	QSW0923-001	DETECT SWITCH		

△ Symbol No.	Part No.	Part Name	Description	Local	△ Symbol No.	Part No.	Part Name	Description	Local
C326	NDC31HJ-100X	C CAPACITOR	10pF 50V J		R117	NRSA63J-331X	MG RESISTOR	330Ω 1/16W J	
C328	NCB31HK-103X	C CAPACITOR	0.01uF 50V K		R125	NRSA63J-1R0X	MG RESISTOR	1Ω 1/16W J	
C329	NCF31EZ-104X	C CAPACITOR	0.1uF 25V Z		R126	NRSA63J-101X	MG RESISTOR	100Ω 1/16W J	
C330	NCF31EZ-104X	C CAPACITOR	0.1uF 25V Z		R127	NRSA63J-432X	MG RESISTOR	4.3kΩ 1/16W J	
C331	NCB31CK-333X	C CAPACITOR	0.033uF 16V K		R128	NRSA63J-562X	MG RESISTOR	5.6kΩ 1/16W J	
C332	NCF31EZ-104X	C CAPACITOR	0.1uF 25V Z		R202	NRSA63J-102X	MG RESISTOR	1kΩ 1/16W J	
C333	NCF31EZ-104X	C CAPACITOR	0.1uF 25V Z		R204	NRSA63J-273X	MG RESISTOR	27kΩ 1/16W J	
C334	NCF31EZ-104X	C CAPACITOR	0.1uF 25V Z		R205	NRSA63J-273X	MG RESISTOR	27kΩ 1/16W J	
C335	NCF31EZ-104X	C CAPACITOR	0.1uF 25V Z		R206	NRSA63J-303X	MG RESISTOR	30kΩ 1/16W J	
C337	NCB31CK-183X	C CAPACITOR	0.018uF 16V K		R207	NRSA63J-473X	MG RESISTOR	47kΩ 1/16W J	
C338	NCB31HK-562X	C CAPACITOR	5600pF 50V K		R213	NRSA63J-103X	MG RESISTOR	10kΩ 1/16W J	
C339	NBE20JM-106X	TA E CAPACITOR	10uF 6.3V M		R214	NRSA63J-103X	MG RESISTOR	10kΩ 1/16W J	
C340	NCB30JK-105X	C CAPACITOR	1uF 6.3V K		R219	NRSA63J-183X	MG RESISTOR	18kΩ 1/16W J	
C341	NCB30JK-105X	C CAPACITOR	1uF 6.3V K		R220	NRSA63J-243X	MG RESISTOR	24kΩ 1/16W J	
C347	NCB31CK-104X	C CAPACITOR	0.1uF 16V K		R221	NRSA63J-682X	MG RESISTOR	6.8kΩ 1/16W J	
C348	NCB31CK-104X	C CAPACITOR	0.1uF 16V K		R251	NRS125J-R39X	MG RESISTOR	0.39Ω 1/2W J	
C349	NCF31EZ-104X	C CAPACITOR	0.1uF 25V Z		R259	NRSA63J-103X	MG RESISTOR	10kΩ 1/16W J	
C350	NCB31HK-103X	C CAPACITOR	0.01uF 50V K		R301	NRS181J-0R0X	MG RESISTOR	0Ω 1/8W J	
C351	NCB31HK-103X	C CAPACITOR	0.01uF 50V K		R303	NRSA63J-220X	MG RESISTOR	22Ω 1/16W J	
C352	NCB31CK-153X	C CAPACITOR	0.015uF 16V K		R306	NRSA63J-102X	MG RESISTOR	1kΩ 1/16W J	
C353	NCB31HK-561X	C CAPACITOR	560pF 50V K		R307	NRSA63J-102X	MG RESISTOR	1kΩ 1/16W J	
C354	NCB31HK-561X	C CAPACITOR	560pF 50V K		R308	NRSA63J-103X	MG RESISTOR	10kΩ 1/16W J	
C356	NCB30JK-105X	C CAPACITOR	1uF 6.3V K		R309	NRSA63J-104X	MG RESISTOR	100kΩ 1/16W J	
C359	NCB30JK-105X	C CAPACITOR	1uF 6.3V K		R310	NRSA63J-101X	MG RESISTOR	100Ω 1/16W J	
C371	NCF31AZ-105X	C CAPACITOR	1uF 10V Z		R316	NRSA63J-102X	MG RESISTOR	1kΩ 1/16W J	
C372	NCF31EZ-104X	C CAPACITOR	0.1uF 25V Z		R319	NRSA63J-103X	MG RESISTOR	10kΩ 1/16W J	
C373	NCF31EZ-104X	C CAPACITOR	0.1uF 25V Z		R324	NRSA63J-331X	MG RESISTOR	330Ω 1/16W J	
C374	NCF31EZ-104X	C CAPACITOR	0.1uF 25V Z		R325	NRSA63J-331X	MG RESISTOR	330Ω 1/16W J	
C375	NCF31EZ-104X	C CAPACITOR	0.1uF 25V Z		R326	NRSA63J-331X	MG RESISTOR	330Ω 1/16W J	
C376	NCF31EZ-104X	C CAPACITOR	0.1uF 25V Z		R327	NRSA63J-331X	MG RESISTOR	330Ω 1/16W J	
C377	NCF31EZ-104X	C CAPACITOR	0.1uF 25V Z		R334	NRSA63J-151X	MG RESISTOR	150Ω 1/16W J	
C378	NCF31EZ-104X	C CAPACITOR	0.1uF 25V Z		R335	NRSA63J-151X	MG RESISTOR	150Ω 1/16W J	
C379	NCF31EZ-104X	C CAPACITOR	0.1uF 25V Z		R336	NRSA63J-151X	MG RESISTOR	150Ω 1/16W J	
C380	NCB21CK-105X	C CAPACITOR	1uF 16V K		R337	NRSA63J-151X	MG RESISTOR	150Ω 1/16W J	
C381	NCB21AK-225X	C CAPACITOR	2.2uF 10V K		R338	NRSA63J-0R0X	MG RESISTOR	0Ω 1/16W J	
C382	NCB31HK-471X	C CAPACITOR	470pF 50V K		R339	NRSA63J-0R0X	MG RESISTOR	0Ω 1/16W J	
C383	NCF31EZ-104X	C CAPACITOR	0.1uF 25V Z		R340	NRSA63D-303X	MG RESISTOR	30kΩ 1/16W D	
C386	NCF31EZ-104X	C CAPACITOR	0.1uF 25V Z		R341	NRSA63D-512X	MG RESISTOR	5.1kΩ 1/16W D	
C393	NCB31HK-103X	C CAPACITOR	0.01uF 50V K		R342	NRSA63D-242X	MG RESISTOR	2.4kΩ 1/16W D	
C451	NCF31EZ-104X	C CAPACITOR	0.1uF 25V Z		R345	NRSA63J-221X	MG RESISTOR	220Ω 1/16W J	
C452	NCB31CK-104X	C CAPACITOR	0.1uF 16V K		R346	NRSA63J-223X	MG RESISTOR	22kΩ 1/16W J	
C453	NCF31EZ-104X	C CAPACITOR	0.1uF 25V Z		R347	NRSA63J-203X	MG RESISTOR	20kΩ 1/16W J	
C454	NCB31HK-103X	C CAPACITOR	0.01uF 50V K		R348	NRSA63J-151X	MG RESISTOR	150Ω 1/16W J	
C455	NCB31HK-103X	C CAPACITOR	0.01uF 50V K		R349	NRSA63J-151X	MG RESISTOR	150Ω 1/16W J	
C551	NCF31EZ-104X	C CAPACITOR	0.1uF 25V Z		R350	NRSA63J-751X	MG RESISTOR	750Ω 1/16W J	
C554	NCF31EZ-104X	C CAPACITOR	0.1uF 25V Z		R351	NRSA63J-681X	MG RESISTOR	680Ω 1/16W J	
C555	NCF31EZ-104X	C CAPACITOR	0.1uF 25V Z		R352	NRSA63J-105X	MG RESISTOR	1MΩ 1/16W J	
C556	NCF31AZ-105X	C CAPACITOR	1uF 10V Z		R353	NRSA63J-101X	MG RESISTOR	100Ω 1/16W J	
C557	NCB31HK-102X	C CAPACITOR	1000pF 50V K		R357	NRSA63J-221X	MG RESISTOR	220Ω 1/16W J	
C558	NEAF0GM-476X	E CAPACITOR	47uF 4V M		R358	NRSA63J-221X	MG RESISTOR	220Ω 1/16W J	
C559	NCF31EZ-104X	C CAPACITOR	0.1uF 25V Z		R362	NRSA63J-331X	MG RESISTOR	330Ω 1/16W J	
C560	NCF31EZ-104X	C CAPACITOR	0.1uF 25V Z		R367	NRSA63J-221X	MG RESISTOR	220Ω 1/16W J	
C563	NCF31EZ-104X	C CAPACITOR	0.1uF 25V Z		R372	NRSA63J-103X	MG RESISTOR	10kΩ 1/16W J	
C564	NCF31EZ-104X	C CAPACITOR	0.1uF 25V Z		R373	NRSA63J-103X	MG RESISTOR	10kΩ 1/16W J	
C701	NCB21CK-105X	C CAPACITOR	1uF 16V K		R374	NRSA63J-102X	MG RESISTOR	1kΩ 1/16W J	
C702	NCB31HK-103X	C CAPACITOR	0.01uF 50V K		R375	NRSA63J-102X	MG RESISTOR	1kΩ 1/16W J	
C703	NCB30JK-105X	C CAPACITOR	1uF 6.3V K		R376	NRSA63J-102X	MG RESISTOR	1kΩ 1/16W J	
C709	NEAF0JM-476X	E CAPACITOR	47uF 6.3V M		R377	NRSA63J-102X	MG RESISTOR	1kΩ 1/16W J	
C712	NCF31EZ-104X	C CAPACITOR	0.1uF 25V Z		R378	NRSA63J-102X	MG RESISTOR	1kΩ 1/16W J	
C713	NEAF1CM-106X	E CAPACITOR	10uF 16V M		R383	NRSA63J-101X	MG RESISTOR	100Ω 1/16W J	
C714	NCF31EZ-104X	C CAPACITOR	0.1uF 25V Z		R384	NRSA63J-102X	MG RESISTOR	1kΩ 1/16W J	
C722	NCF31EZ-104X	C CAPACITOR	0.1uF 25V Z		R385	NRSA63J-102X	MG RESISTOR	1kΩ 1/16W J	
R101	NRSA63J-101X	MG RESISTOR	100Ω 1/16W J		R392	NRSA63J-103X	MG RESISTOR	10kΩ 1/16W J	
R102	NRSA63J-101X	MG RESISTOR	100Ω 1/16W J		R393	NRSA63J-0R0X	MG RESISTOR	0Ω 1/16W J	
R103	NRSA63J-562X	MG RESISTOR	5.6kΩ 1/16W J		R394	NRSA63J-0R0X	MG RESISTOR	0Ω 1/16W J	
R104	NRSA63J-432X	MG RESISTOR	4.3kΩ 1/16W J		R452	NRSA63J-222X	MG RESISTOR	2.2kΩ 1/16W J	
R105	NRS181J-180X	MG RESISTOR	18Ω 1/8W J		R453	NRSA63J-103X	MG RESISTOR	10kΩ 1/16W J	
R106	NRSA63J-2R2X	MG RESISTOR	2.2Ω 1/16W J		R454	NRSA63J-103X	MG RESISTOR	10kΩ 1/16W J	
R107	NRSA63J-102X	MG RESISTOR	1kΩ 1/16W J		R455	NRSA63J-103X	MG RESISTOR	10kΩ 1/16W J	
R108	NRSA63J-471X	MG RESISTOR	470Ω 1/16W J		R457	NRSA63J-101X	MG RESISTOR	100Ω 1/16W J	
R109	NRSA63J-331X	MG RESISTOR	330Ω 1/16W J		R458	NRSA63J-102X	MG RESISTOR	1kΩ 1/16W J	
R111	NRSA63J-562X	MG RESISTOR	5.6kΩ 1/16W J		R461	NRSA63J-101X	MG RESISTOR	100Ω 1/16W J	
R112	NRSA63J-432X	MG RESISTOR	4.3kΩ 1/16W J		R463	NRSA63J-101X	MG RESISTOR	100Ω 1/16W J	
R113	NRS181J-180X	MG RESISTOR	18Ω 1/8W J		R464	NRSA63J-101X	MG RESISTOR	100Ω 1/16W J	
R114	NRSA63J-2R2X	MG RESISTOR	2.2Ω 1/16W J		R465	NRSA63J-102X	MG RESISTOR	1kΩ 1/16W J	
R115	NRSA63J-102X	MG RESISTOR	1kΩ 1/16W J		R535	NRSA63J-473X	MG RESISTOR	47kΩ 1/16W J	
R116	NRSA63J-471X	MG RESISTOR	470Ω 1/16W J		R541	NRSA63J-473X	MG RESISTOR	47kΩ 1/16W J	

Symbol No.	Part No.	Part Name	Description	Local
R701	NRSA63J-2R2X	MG RESISTOR	2.2Ω 1/16W J	
R703	NRSA63J-471X	MG RESISTOR	470Ω 1/16W J	
R704	NRSA63J-471X	MG RESISTOR	470Ω 1/16W J	
R717	NRSA63J-473X	MG RESISTOR	47kΩ 1/16W J	
R731	NRSA63J-102X	MG RESISTOR	1kΩ 1/16W J	
R732	NRSA63J-471X	MG RESISTOR	470Ω 1/16W J	
CN101	QGF0523F1-25W	CONNECTOR	FFC/FPC (1-25)	
CN201	QGF1016F2-08W	CONNECTOR	FFC/FPC (1-8)	
CN451	QGF1016F2-15W	CONNECTOR	FFC/FPC (1-15)	
CN452	QGA2001F2-02X	CONNECTOR	W-B (1-2)	
CN453	QGA2001F2-03X	CONNECTOR	W-B (1-3)	
CN701	QGF1016F2-28W	CONNECTOR	FFC/FPC (1-28)	
CN702	QGF1016F2-10W	CONNECTOR	FFC/FPC (1-10)	
K351	NQR0502-001X	FERRITE BEADS		
K352	NQR0502-001X	FERRITE BEADS		
K454	NRSA63J-0R0X	MG RESISTOR	0Ω 1/16W J	
K455	NRSA63J-0R0X	MG RESISTOR	0Ω 1/16W J	
K456	NRSA63J-0R0X	MG RESISTOR	0Ω 1/16W J	
K501	NQR0502-001X	FERRITE BEADS		
K710	NQR0022-002X	FERRITE BEADS		
K732	NRSA63J-0R0X	MG RESISTOR	0Ω 1/16W J	
K733	NRSA63J-0R0X	MG RESISTOR	0Ω 1/16W J	
K734	NRSA63J-0R0X	MG RESISTOR	0Ω 1/16W J	
K735	NRSA63J-0R0X	MG RESISTOR	0Ω 1/16W J	
K736	NRSA63J-0R0X	MG RESISTOR	0Ω 1/16W J	
K737	NRSA63J-0R0X	MG RESISTOR	0Ω 1/16W J	
K738	NQR0022-005X	FERRITE BEADS		
K744	NRSA63J-0R0X	MG RESISTOR	0Ω 1/16W J	
K748	NRSA63J-0R0X	MG RESISTOR	0Ω 1/16W J	
K749	NRSA63J-0R0X	MG RESISTOR	0Ω 1/16W J	
K750	NQR0022-002X	FERRITE BEADS		
K752	NQR0022-002X	FERRITE BEADS		
K754	NQR0022-002X	FERRITE BEADS		
K756	NQR0022-002X	FERRITE BEADS		
K758	NQR0022-002X	FERRITE BEADS		
TH301	NAD0025-103X	N THERMISTOR	10kΩ	
X301	NAX0741-001X	CRYSTAL		
X451	NAX0248-001X	C OSCILLATOR	8.000MHz	

## Loading board(FMU-SM1-11M) (DX-T5)

Block No. [1][3]

Symbol No.	Part No.	Part Name	Description	Local
IC1	LB1641	IC		
IC2	LB1641	IC		
D1	MTZJ6.2A-T2	Z DIODE		
C1	QEKJ1AM-107Z	E CAPACITOR	100uF 10V M	
C2	QCBB1HK-104Y	C CAPACITOR	0.1uF 50V K	
C3	QFLC1HJ-103Z	M CAPACITOR	0.01uF 50V J	
C5	QFLC1HJ-103Z	M CAPACITOR	0.01uF 50V J	
C6	QCBB1HK-104Y	C CAPACITOR	0.1uF 50V K	
C7	QCBB1HK-104Y	C CAPACITOR	0.1uF 50V K	
CN1	QGF1036F1-15	CONNECTOR	FFC/FPC (1-15)	
CN2	QGB2024K1-07S	CONNECTOR	B-B (1-7)	
CN3	QGB2024J1-07S	CONNECTOR	B-B (1-7)	
SW1	QSW0844-001	PUSH SWITCH		
SW2	QSW0844-001	PUSH SWITCH		
SW3	QSW0844-001	PUSH SWITCH		
SW4	QSW0844-001	PUSH SWITCH		
SW5	QSW0844-001	PUSH SWITCH		
SW6	QSW0854-002	PUSH SW		
SW8	QSW0923-001	DETECT SWITCH		

## Cassette switch board(SLC-S401M)

### -Cassette A (Common)

Block No. [1][4]

Symbol No.	Part No.	Part Name	Description	Local
IC1	SG-105F3/Z1/	PHOTO SENSER		
IC41	NJM4565D	IC		
IC43	CD4094BE	IC		
CN1	QGF1205F1-09	CONNECTOR	FFC/FPC (1-9)	
CN41	QGF1205F1-09	CONNECTOR	FFC/FPC (1-9)	
CN45	QGF1205F1-25	CONNECTOR	FFC/FPC (1-25)	
CN46	QGF1210G1-09	CONNECTOR	FFC/FPC (1-9)	
CN47	QGF1210G1-10	CONNECTOR	FFC/FPC (1-10)	
CN48	QGF1205F1-06	CONNECTOR	FFC/FPC (1-6)	
FW100	QUM024-07A2Z3	PARA RIBON WIRE		
P1	QNZ0104-001	POST PIN		
SW2	QSW0832-001	CASS.SWITCH		
SW6	QSW0859-001	DETECT SWITCH		

## Head amplifier board(SLC-S401M)

### -Cassette A (Common)

Block No. [1][5]

Symbol No.	Part No.	Part Name	Description	Local
Q460	2SC3576-JVC-T	TRANSISTOR		
Q461	2SC3576-JVC-T	TRANSISTOR		
Q481	KTA1271/OY/-T	TRANSISTOR		
Q482	KRC107M-T	DIGI TRANSISTOR		
Q485	2SB562/C/-T	TRANSISTOR		
Q486	KTC3199/GL/-T	TRANSISTOR		
D1	1SR139-400-T2	SI DIODE		
D482	1SS133-T2	SI DIODE		
D483	1SS133-T2	SI DIODE		
D485	MTZJ5.1B-T2	Z DIODE		
C449	QEKJ1CM-476Z	E CAPACITOR	47uF 16V M	
C450	QDGB1HK-821Y	C CAPACITOR	820pF 50V K	
C451	QDGB1HK-821Y	C CAPACITOR	820pF 50V K	
C452	QCBB1HK-101Y	C CAPACITOR	100pF 50V K	
C453	QCBB1HK-101Y	C CAPACITOR	100pF 50V K	
C458	QEKJ1AM-107Z	E CAPACITOR	100uF 10V M	
C459	QCBB1HK-391Y	C CAPACITOR	390pF 50V K	
C460	QCBB1HK-103Y	C CAPACITOR	0.01uF 50V K	
C461	QCBB1HK-103Y	C CAPACITOR	0.01uF 50V K	
C462	QEKJ1AM-107Z	E CAPACITOR	100uF 10V M	
C463	QEKJ1HM-225Z	E CAPACITOR	2.2uF 50V M	
C465	QEKJ1AM-107Z	E CAPACITOR	100uF 10V M	
C466	QCBB1HK-391Y	C CAPACITOR	390pF 50V K	
C467	QEKJ1HM-225Z	E CAPACITOR	2.2uF 50V M	
C468	QEKJ1HM-225Z	E CAPACITOR	2.2uF 50V M	
C469	QEKJ1HM-225Z	E CAPACITOR	2.2uF 50V M	
C480	QEKJ1CM-476Z	E CAPACITOR	47uF 16V M	
C481	QEKJ1AM-107Z	E CAPACITOR	100uF 10V M	
C484	QEKJ1EM-475Z	E CAPACITOR	4.7uF 25V M	
C486	QCBB1HK-103Y	C CAPACITOR	0.01uF 50V K	
R371	QRE141J-123Y	C RESISTOR	12kΩ 1/4W J	
R449	QRE141J-221Y	C RESISTOR	220Ω 1/4W J	
R452	QRE141J-563Y	C RESISTOR	56kΩ 1/4W J	
R453	QRE141J-101Y	C RESISTOR	100Ω 1/4W J	
R454	QRE141J-101Y	C RESISTOR	100Ω 1/4W J	
R456	QRE141J-133Y	C RESISTOR	13kΩ 1/4W J	
R457	QRE141J-133Y	C RESISTOR	13kΩ 1/4W J	
R458	QRE141J-472Y	C RESISTOR	4.7kΩ 1/4W J	
R459	QRE141J-473Y	C RESISTOR	47kΩ 1/4W J	
R460	QRE141J-334Y	C RESISTOR	330kΩ 1/4W J	
R461	QRE141J-334Y	C RESISTOR	330kΩ 1/4W J	
R462	QRE141J-101Y	C RESISTOR	100Ω 1/4W J	
R463	QRE141J-563Y	C RESISTOR	56kΩ 1/4W J	

△ Symbol No.	Part No.	Part Name	Description	Local	△ Symbol No.	Part No.	Part Name	Description	Local
R465	QRE141J-101Y	C RESISTOR	100Ω 1/4W J		C104	QCBB1HK-221Y	C CAPACITOR	220pF 50V K	
R466	QRE141J-473Y	C RESISTOR	47kΩ 1/4W J		C105	QCBB1HK-391Y	C CAPACITOR	390pF 50V K	
R467	QRE141J-473Y	C RESISTOR	47kΩ 1/4W J		C106	QERF1HM-225Z	E CAPACITOR	2.2uF 50V M	
R468	QRE141J-472Y	C RESISTOR	4.7kΩ 1/4W J		C107	QCBB1HK-271Y	C CAPACITOR	270pF 50V K	
R469	QRE141J-472Y	C RESISTOR	4.7kΩ 1/4W J		C109	QEKJ1EM-475Z	E CAPACITOR	4.7uF 25V M	
R470	QRE141J-472Y	C RESISTOR	4.7kΩ 1/4W J		C110	QDYB1CM-682Y	C CAPACITOR	680pF 16V M	
R471	QRE141J-473Y	C RESISTOR	47kΩ 1/4W J		C113	QFLA1HJ-104Z	M CAPACITOR	0.1uF 50V J	
R480	QRE141J-123Y	C RESISTOR	12kΩ 1/4W J		C120	QCSB1HK-4R7Y	C CAPACITOR	4.7pF 50V K	
R481	QRE141J-183Y	C RESISTOR	18kΩ 1/4W J		C121	QCBB1HK-331Y	C CAPACITOR	330pF 50V K	
R482	QRE141J-102Y	C RESISTOR	1kΩ 1/4W J		C201	QDGB1HK-821Y	C CAPACITOR	820pF 50V K	
R483	QRE141J-681Y	C RESISTOR	680Ω 1/4W J		C202	QDYB1CM-103Y	C CAPACITOR	0.01uF 16V M	
R485	QRE141J-151Y	C RESISTOR	150Ω 1/4W J		C203	QFLA1HJ-104Z	M CAPACITOR	0.1uF 50V J	
R486	QRE141J-472Y	C RESISTOR	4.7kΩ 1/4W J		C204	QCBB1HK-221Y	C CAPACITOR	220pF 50V K	
R487	QRE141J-332Y	C RESISTOR	3.3kΩ 1/4W J		C205	QCBB1HK-391Y	C CAPACITOR	390pF 50V K	
R488	QRE141J-332Y	C RESISTOR	3.3kΩ 1/4W J		C206	QERF1HM-225Z	E CAPACITOR	2.2uF 50V M	
R489	QRE141J-243Y	C RESISTOR	24kΩ 1/4W J		C207	QCBB1HK-271Y	C CAPACITOR	270pF 50V K	
VR37	QVP0077-103Z	TRIM RESISTOR	10kΩ		C209	QEKJ1EM-475Z	E CAPACITOR	4.7uF 25V M	
					C210	QDYB1CM-682Y	C CAPACITOR	680pF 16V M	
					C213	QFLA1HJ-104Z	M CAPACITOR	0.1uF 50V J	
					C220	QCSB1HK-4R7Y	C CAPACITOR	4.7pF 50V K	
					C221	QCBB1HK-331Y	C CAPACITOR	330pF 50V K	
					C300	QEKJ1HM-105Z	E CAPACITOR	1uF 50V M	
					C301	QEKJ1AM-107Z	E CAPACITOR	100uF 10V M	
					C304	QEKJ1CM-106Z	E CAPACITOR	10uF 16V M	
					C306	FQETJ1AM-227Z	E CAPACITOR		
					C307	QDGB1HK-102Y	C CAPACITOR	1000pF 50V K	
					C308	QDXB1CM-152Y	C CAPACITOR	1500pF 16V M	
					C310	QCBB1HK-223Y	C CAPACITOR	0.022uF 50V K	
					C313	QEKJ1AM-107Z	E CAPACITOR	100uF 10V M	
					C314	QCFB1HZ-105Y	C CAPACITOR	1uF 50V Z	
					C316	QFG32AJ-223Z	PP CAPACITOR	0.022uF 100V J	
					C319	QFLC1HJ-472Z	M CAPACITOR	4700pF 50V J	
					C331	QEKJ1CM-476Z	E CAPACITOR	47uF 16V M	
					C340	QEKJ1CM-476Z	E CAPACITOR	47uF 16V M	
					C341	QEKJ1HM-105Z	E CAPACITOR	1uF 50V M	
					C342	QEKJ1CM-476Z	E CAPACITOR	47uF 16V M	
					C371	QEKJ1EM-475Z	E CAPACITOR	4.7uF 25V M	
					C374	QEKJ1AM-107Z	E CAPACITOR	100uF 10V M	
					C376	QDYB1CM-103Y	C CAPACITOR	0.01uF 16V M	

## Cassette board(SLC-S302M)

### -Cassette B (Common)

Block No. [1][6]

△ Symbol No.	Part No.	Part Name	Description	Local
IC1	SG-105F3-BB,C	PHOTO SENSER		
D1	1SR139-400-T2	SI DIODE		
R371	QRE141J-123Y	C RESISTOR	12kΩ 1/4W J	
VR37	QVP0077-103Z	TRIM RESISTOR	10kΩ	
CN1	QGF1205F1-09	CONNECTOR	FFC/FPC (1-9)	
FW100	QUM024-07A2Z3	PARA RIBON WIRE		
P1	QNZ0104-001	POST PIN		
SW1	QSW0832-001	CASS.SWITCH		
SW2	QSW0832-001	CASS.SWITCH		
SW5	QSW0832-001	CASS.SWITCH		
SW6	QSW0859-001	DETECT SWITCH		

## Head amplifier board(SLC-S302M)

### -Cassette B (Common)

Block No. [1][7]

△ Symbol No.	Part No.	Part Name	Description	Local
IC32	HA12238F	IC	R/P Equalizer	
IC33	CD4094BC	IC	Serial to parallel port extension	
Q302	2SC2001/K/-T	TRANSISTOR		
Q305	2SC2001/K/-T	TRANSISTOR		
Q342	KRA111M-T	DIGI TRANSISTOR		
Q343	2SC3576-JVC-T	TRANSISTOR		
Q344	2SC3576-JVC-T	TRANSISTOR		
Q345	2SC3576-JVC-T	TRANSISTOR		
Q346	2SC3576-JVC-T	TRANSISTOR		
Q347	KRC107M-T	DIGI TRANSISTOR		
Q371	KTA1271/OY/-T	TRANSISTOR		
Q372	KRC107M-T	DIGI TRANSISTOR		
Q375	2SB562/C/-T	TRANSISTOR		
Q376	KTC3199/GL/-T	TRANSISTOR		
D340	MTZJ5.1B-T2	Z DIODE		
D375	MTZJ5.1B-T2	Z DIODE		
C101	QDGB1HK-821Y	C CAPACITOR	820pF 50V K	
C102	QDYB1CM-103Y	C CAPACITOR	0.01uF 16V M	
C103	QFLA1HJ-104Z	M CAPACITOR	0.1uF 50V J	
R101	QRE141J-512Y	C RESISTOR	5.1kΩ 1/4W J	
R102	QRE141J-512Y	C RESISTOR	5.1kΩ 1/4W J	
R104	QRE141J-222Y	C RESISTOR	2.2kΩ 1/4W J	
R105	QRE141J-104Y	C RESISTOR	100kΩ 1/4W J	
R106	QRE141J-113Y	C RESISTOR	11kΩ 1/4W J	
R107	QRE141J-912Y	C RESISTOR	9.1kΩ 1/4W J	
R108	QRE141J-273Y	C RESISTOR	27kΩ 1/4W J	
R110	QRE141J-103Y	C RESISTOR	10kΩ 1/4W J	
R116	QRE141J-102Y	C RESISTOR	1kΩ 1/4W J	
R121	QRE141J-153Y	C RESISTOR	15kΩ 1/4W J	
R201	QRE141J-512Y	C RESISTOR	5.1kΩ 1/4W J	
R202	QRE141J-512Y	C RESISTOR	5.1kΩ 1/4W J	
R204	QRE141J-222Y	C RESISTOR	2.2kΩ 1/4W J	
R205	QRE141J-104Y	C RESISTOR	100kΩ 1/4W J	
R206	QRE141J-113Y	C RESISTOR	11kΩ 1/4W J	
R207	QRE141J-912Y	C RESISTOR	9.1kΩ 1/4W J	
R208	QRE141J-273Y	C RESISTOR	27kΩ 1/4W J	
R210	QRE141J-103Y	C RESISTOR	10kΩ 1/4W J	
R216	QRE141J-102Y	C RESISTOR	1kΩ 1/4W J	
R221	QRE141J-153Y	C RESISTOR	15kΩ 1/4W J	
R301	QRE141J-221Y	C RESISTOR	220Ω 1/4W J	
R302	QRE141J-222Y	C RESISTOR	2.2kΩ 1/4W J	
R303	QRE141J-222Y	C RESISTOR	2.2kΩ 1/4W J	
△ R304	QRJ146J-101X	UNF C RESISTOR	100Ω 1/4W J	
R305	QRE141J-103Y	C RESISTOR	10kΩ 1/4W J	
R306	QRE141J-472Y	C RESISTOR	4.7kΩ 1/4W J	
△ R310	QRJ146J-4R7X	UNF C RESISTOR	4.7Ω 1/4W J	
R313	QRE141J-2R2Y	C RESISTOR	2.2Ω 1/4W J	
R314	QRE141J-153Y	C RESISTOR	15kΩ 1/4W J	
R315	QRE141J-101Y	C RESISTOR	100Ω 1/4W J	
R327	QRE141J-474Y	C RESISTOR	470kΩ 1/4W J	
R335	QRE141J-222Y	C RESISTOR	2.2kΩ 1/4W J	
R336	QRE141J-223Y	C RESISTOR	22kΩ 1/4W J	
R337	QRE141J-332Y	C RESISTOR	3.3kΩ 1/4W J	
R338	QRE141J-392Y	C RESISTOR	3.9kΩ 1/4W J	
R339	QRE141J-104Y	C RESISTOR	100kΩ 1/4W J	
R340	QRE141J-681Y	C RESISTOR	680Ω 1/4W J	
R341	QRE141J-123Y	C RESISTOR	12kΩ 1/4W J	



Symbol No.	Part No.	Part Name	Description	Local
R342	QRE141J-243Y	C RESISTOR	24kΩ 1/4W J	
R343	QRE141J-183Y	C RESISTOR	18kΩ 1/4W J	
R344	QRE141J-472Y	C RESISTOR	4.7kΩ 1/4W J	
R345	QRE141J-472Y	C RESISTOR	4.7kΩ 1/4W J	
R346	QRE141J-472Y	C RESISTOR	4.7kΩ 1/4W J	
R347	QRE141J-103Y	C RESISTOR	10kΩ 1/4W J	
△ R353	QRZ9005-100X	FUSI RESISTOR	10Ω	
R372	QRE141J-102Y	C RESISTOR	1kΩ 1/4W J	
R375	QRE141J-151Y	C RESISTOR	150Ω 1/4W J	
R376	QRE141J-472Y	C RESISTOR	4.7kΩ 1/4W J	
VR31	QVP0008-203Z	TRIM RESISTOR	20kΩ	
L301	QQR1118-002	OSC COIL(BIAS)		
L303	QQL244K-100Z	COIL	10uH K	
CN31	QGF1205F1-06	CONNECTOR	FFC/FPC (1-6)	
CN32	QGF1205F1-09	CONNECTOR	FFC/FPC (1-9)	
CN33	QGF1205F1-09	CONNECTOR	FFC/FPC (1-9)	
CN34	QGF1201F3-10	CONNECTOR	FFC/FPC (1-10)	
H32	GV40397-002A	IC HOLDER		

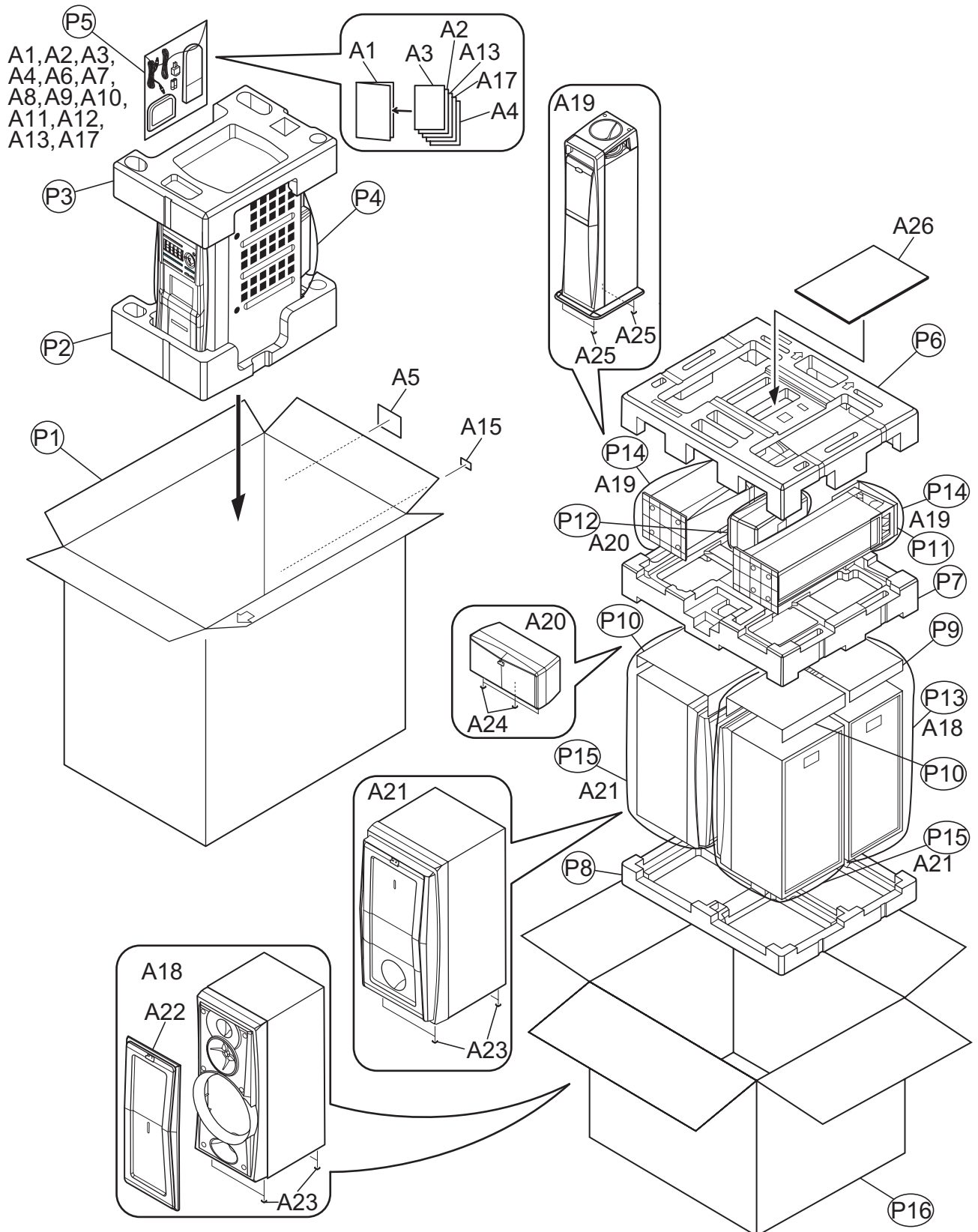
**< MEMO >**

# Packing materials and accessories parts list

Block No. M 4 M M

(DX-T9)

No additional / supplemental order of WARRANTY CARDS are available



# Packing and Accessories (DX-T9)

Block No. [M][4][M][M]

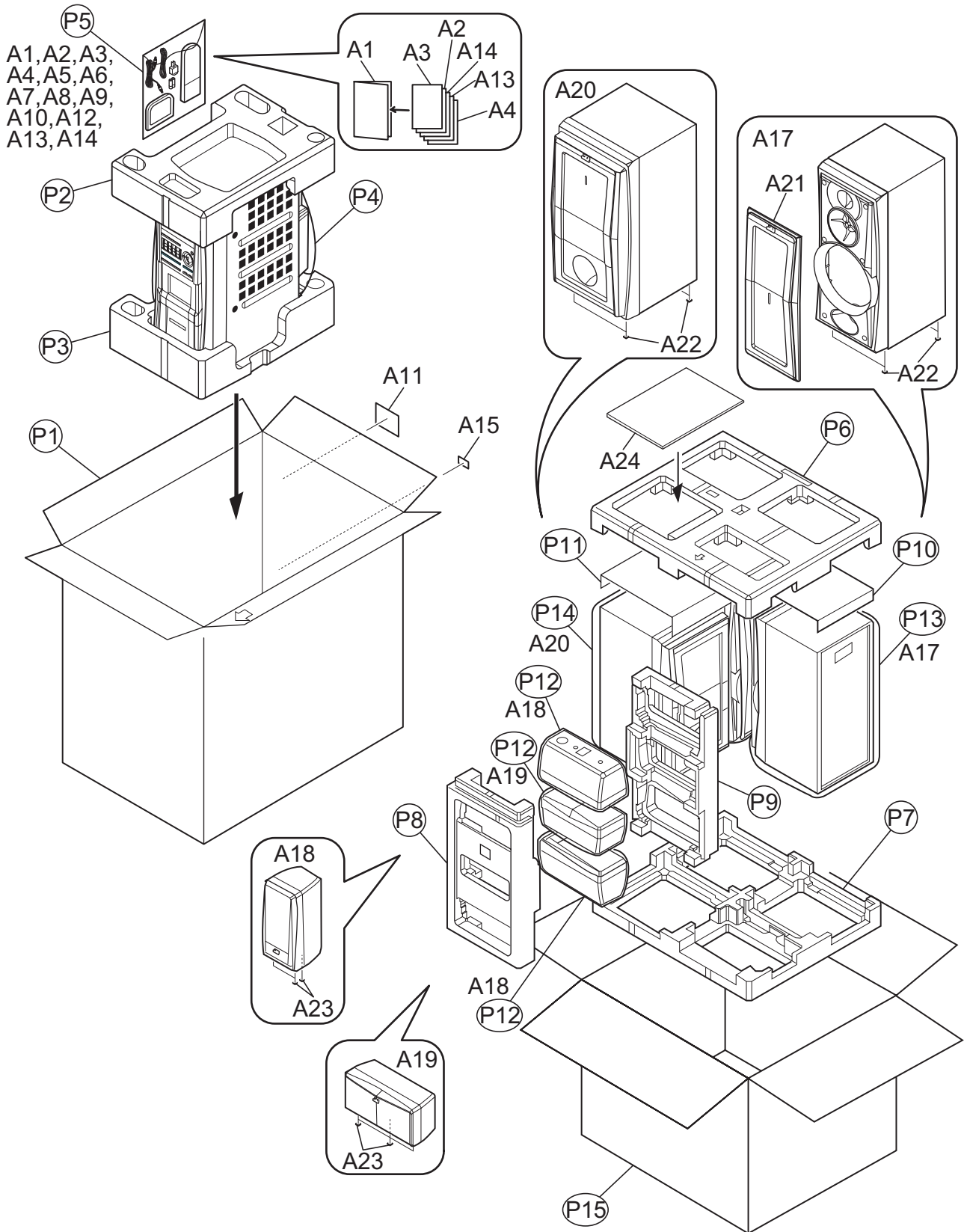
△	Symbol No.	Part No.	Part Name	Description	Local
	A 1	GVT0147-003A	INST BOOK	ENG	A
	A 1	GVT0147-001A	INST BOOK	ENG CHI(PEKIN)	UN,US
	A 1	GVT0147-004A	INST BOOK	ENG SPA POR	UW
	A 1	GVT0147-002A	INST BOOK	ENG ARA PER	UG,UX
	A 2	GV40634-001A	DEMO SHEET		
	A 3	GV40633-001A	KARAOKE SHEET		UG,UN,US,UX
	A 4	GV40639-001A	ERRATA SHEET		UG,UN,US,UX
	A 5	CL0020-001	COMPUTER LABEL		
	A 6	QAL0014-001	AM LOOP ANT		
△	A 7	QAM0112-002	PLUG ADAPTOR		UN,US,UW
	A 8	QAM0216-001	SIGNAL CORD		
	A 9	RM-SDXT9U	REMOCON		
	A 10	QAL0457-001	ANT.WIRE		
	A 11	-----	BATTERY	(x2)	
	A 12	-----	WARRANTY CARD	BT-56012-1	A
	A 13	GV40636-001A	VOL-SEL.SHEET		UN
	A 15	GV40641-002A	NOM LABEL		UW
	A 15	GV40597-001A	SASO LABEL		UX
	A 17	GV40633-002A	KARAOKE SHEET		UG,UX
	A 18	ASL8MDXT7-EB10	SPEAKER BOX	MAIN SPEAKER(x2)	
	A 19	ASL8SDXT9-EB10	SPEAKER BOX	SURROUND SPEAKER(x2)	
	A 20	ASL8CDXT9-EB10	SPEAKER BOX	CENTER SPEAKER	
	A 21	ASL8WDXT9-EB10	SPEAKER BOX	SUBWOOFER(x2)	
	A 22	ASW803302-0001	SPK NET ASSY	(x2)	
	A 23	DUF803001-0001	LEG CUSHION	(x16)	
	A 24	DUF803001-0002	LEG CUSHION	(x3)	
	A 25	DUF803001-0003	LEG CUSHION	(x8)	
	A 26	YOM800001-0243	USER MANUAL		A,UN,US,UW
	A 26	YOM800001-0244	USER MANUAL		UG,UX
	P 1	GV20352-004A	CARTON ASSY.		UN,US
	P 1	GV20352-005A	CARTON ASSY.		A,UW
	P 1	GV20352-007A	CARTON ASSY.		UX
	P 1	GV20352-006A	CARTON ASSY.		UG
	P 2	GV10272-001A	CUSHION (BOTTOM)		
	P 3	GV10271-001A	CUSHION (TOP)		
	P 4	QPC07507530P	POLY BAG	75cm x 75cm	
	P 5	QPC02503515P	POLY BAG	25cm x 35cm	
	P 6	ITF830347-0001	TOP CUSHION		
	P 7	ITF830347-0002	CENTER CUSHION		
	P 8	ITF830347-0003	BOTTOM CUSHION		
	P 9	IVH803001-0006	MIRAMAT SHEET	(x2)	
	P 10	IVH803001-0007	MIRAMAT SHEET	(x2)	
	P 11	IVH803001-0008	MIRAMAT SHEET	(x2)	
	P 12	IWA803101-0023	HDPE BAG	CENTER SPEAKER	
	P 13	IWA803101-0024	HDPE BAG	MAIN SPEAKER(x2)	
	P 14	IWA803101-0027	HDPE BAG	SURROUND SPEAKER(x2)	
	P 15	IWA803101-0025	HDPE BAG	SUBWOOFER(x2)	
	P 16	ICC8PDXT9-EB10	PACKING CASE		UG,UN,US
	P 16	ICC8PDXT9-EB30	PACKING CASE		A,UX,UW

# Packing materials and accessories parts list

Block No. **M 5 M M**

(DX-T7)

No additional / supplemental order of WARRANTY CARDS are available



# Packing and Accessories (DX-T7)

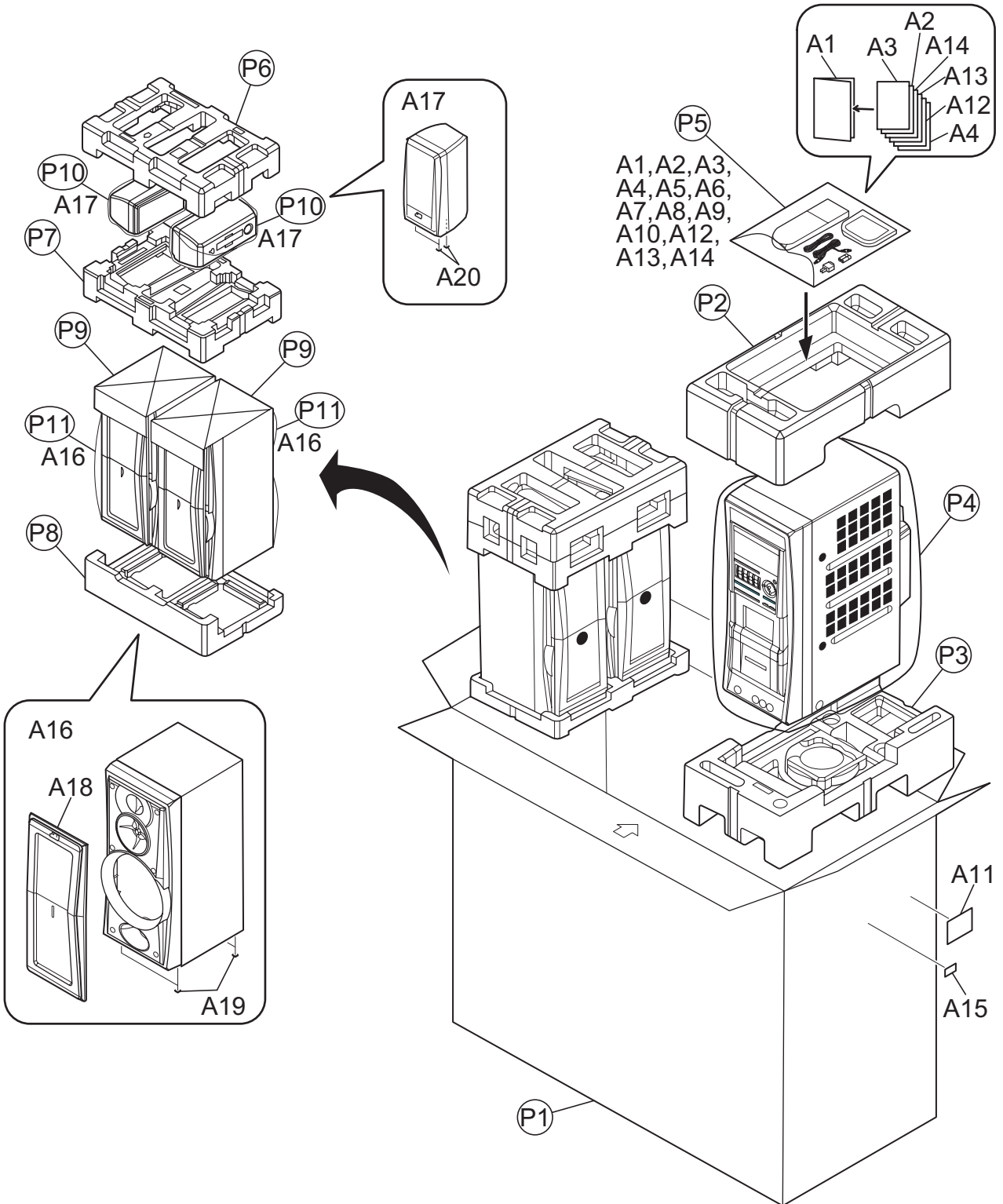
Block No. [M][5][M][M]

△	Symbol No.	Part No.	Part Name	Description	Local
	A 1	GVT0147-003A	INST BOOK	ENG	A
	A 1	GVT0147-001A	INST BOOK	ENG CHI(PEKIN)	UN,US
	A 1	GVT0147-004A	INST BOOK	ENG SPA POR	UW
	A 1	GVT0147-002A	INST BOOK	ENG ARA PER	UG,UX
	A 2	GV40634-001A	DEMO SHEET		
	A 3	GV40633-001A	KARAOKE SHEET		UG,UN,US,UX
	A 4	GV40639-001A	ERRATA SHEET		UG,UN,US,UX
	A 5	QAL0014-001	AM LOOP ANT		
△	A 6	QAM0112-002	PLUG ADAPTOR		UN,US,UW
	A 7	QAM0216-001	SIGNAL CORD		
	A 8	RM-SDXT9U	REMOCON		
	A 9	QAL0457-001	ANT.WIRE		
	A 10	-----	BATTERY	(x2)	
	A 11	CL0020-001	COMPUTER LABEL		
	A 12	-----	WARRANTY CARD	BT-56012-1	A
	A 13	GV40633-002A	KARAOKE SHEET		UG,UX
	A 14	GV40636-001A	VOL-SEL.SHEET		UN
	A 15	GV40641-002A	NOM LABEL		UW
	A 17	ASL8MDXT7-EB10	SPEAKER BOX	MAIN SPEAKER(x2)	
	A 18	ASL8SDXT7-EB10	SPEAKER BOX	SURROUND SPEAKER(x2)	
	A 19	ASL8CDXT7-EB10	SPEAKER BOX	CENTER SPEAKER	
	A 20	ASL8WDXT7-EB10	SPEAKER BOX	SUBWOOFER	
	A 21	ASW803302-0001	SPK NET ASSY	(x2)	
	A 22	DUF803001-0001	LEG CUSHION	(x12)	
	A 23	DUF803001-0002	LEG CUSHION	(x9)	
	A 24	YOM800001-0241	USER MANUAL		A,UN,US,UW
	A 24	YOM800001-0242	USER MANUAL		UG,UX
	P 1	GV20353-004A	CARTON ASSY.		UN,US
	P 1	GV20353-005A	CARTON ASSY.		A,UW
	P 1	GV20353-006A	CARTON ASSY.		UG,UX
	P 2	GV10271-001A	CUSHION (TOP)		
	P 3	GV10272-001A	CUSHION (BOTTOM)		
	P 4	QPC07507530P	POLY BAG	75cm x 75cm	
	P 5	QPC02503515P	POLY BAG	25cm x 35cm	
	P 6	ITF830346-0001	TOP CUSHION		
	P 7	ITF830346-0002	BOTTOM CUSHION		
	P 8	ITF830346-0003	CUSHION		
	P 9	ITF830346-0004	CUSHION		
	P 10	IVH803001-0006	MIRAMAT SHEET	MAIN SPEAKER(x2)	A,UN,US,UW
	P 11	IVH803001-0007	MIRAMAT SHEET	SUBWOOFER	UG,UX
	P 12	IWA803101-0023	HDPE BAG	CENTER&SURROUND SPEAKER(x3)	
	P 13	IWA803101-0024	HDPE BAG	MAIN SPEAKER(x2)	
	P 14	IWA803101-0025	HDPE BAG	SUBWOOFER	
	P 15	ICC8PDXT7-EB10	PACKING CASE		UG,UN,US
	P 15	ICC8PDXT7-EB30	PACKING CASE		A,UW,UX

# Packing materials and accessories parts list

(DX-T5)

Block No. **M** **6** **M** **M**



# Packing and Accessories (DX-T5)

Block No. [M][6][M][M]

△	Symbol No.	Part No.	Part Name	Description	Local
	A 1	GVT0146-001A	INST BOOK	ENG CHI(PEKIN)	UN,US
	A 1	GVT0146-004A	INST BOOK	ENG SPA POR	UW
	A 1	GVT0146-002A	INST BOOK	ENG ARA PER	UG,UX
	A 1	GVT0146-005A	INST BOOK	SPA	UY
	A 2	GV40634-001A	DEMO SHEET		
	A 3	GV40633-001A	KARAOKE SHEET		UG,UN,US,UX
	A 4	GV40639-001A	ERRATA SHEET		UG,UN,US,UX
	A 5	QAL0014-001	AM LOOP ANT		
△	A 6	QAM0112-002	PLUG ADAPTOR		UN,US,UW
	A 7	QAM0216-001	SIGNAL CORD		
	A 8	RM-SDXT5U	REMOCON		
	A 9	QAL0457-001	ANT.WIRE		
	A 10	-----	BATTERY	(x2)	
	A 11	CL0020-001	COMPUTER LABEL		
	A 12	GV40638-001A	ERRATA SHEET		UG
	A 13	GV40633-002A	KARAOKE SHEET		UG,UX
	A 14	GV40636-001A	VOL-SEL.SHEET		UN
	A 15	GV40641-002A	NOM LABEL		UW
	A 15	LV30259-003A	UY LABEL		UY
	A 16	ASL8MDXT5-EB10	SPEAKER BOX	MAIN SPEAKER(x2)	
	A 17	ASL8SDXT5-EB10	SPEAKER BOX	SURROUND SPEAKER(x2)	
	A 18	ASW803302-0001	SPK NET ASSY	(x2)	
	A 19	DUF803001-0001	LEG CUSHION	(x8)	
	A 20	DUF803001-0002	LEG CUSHION	SURROUND SPEAKER(x6)	
	P 1	GV20354-008A	CARTON ASSY.		UN,US
	P 1	GV20354-009A	CARTON ASSY.		UG,UX
	P 1	GV20354-007A	CARTON ASSY.		UW,UY
	P 2	GV10269-001A	CUSHION (TOP)		
	P 3	GV10270-001A	CUSHION (BOTTOM)		
	P 4	QPC07507530P	POLY BAG	75cm x 75cm	
	P 5	QPC02503515P	POLY BAG	25cm x 35cm	
	P 6	ITF830345-0001	TOP CUSHION		
	P 7	ITF830345-0002	CENTER CUSHION		
	P 8	ITF830345-0003	BOTTOM CUSHION		
	P 9	IVH803001-0006	MIRAMAT SHEET	(x2)	
	P 10	IWA803101-0023	HDPE BAG	SURROUND SPEAKER(x2)	
	P 11	IWA803101-0024	HDPE BAG	(x2)	